

# QUARTZ CRYSTAL MHZ

Part Number: 8301100261 | CFPX-180

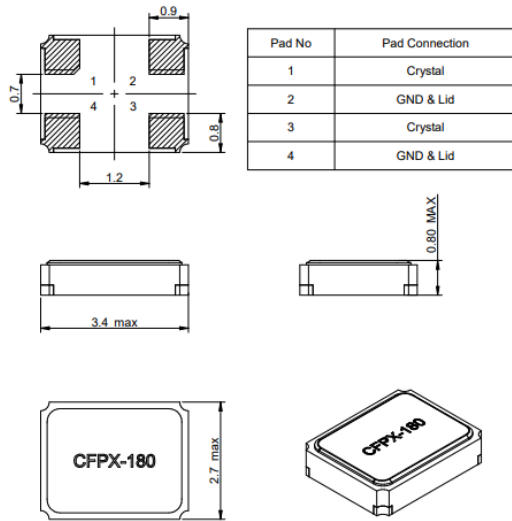
AKA Number: LFX TAL100261



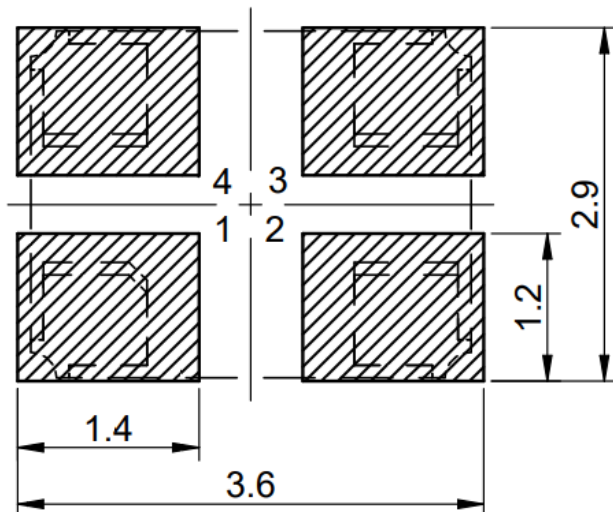
## General Information

Standard 3.2 x 2.5 mm SMD crystal in a ceramic package with a seam sealed metal lid, hermetically sealed.

## Dimensions [mm]



## Recommended Land Pattern [mm]



# QUARTZ CRYSTAL MHZ



Part Number: **8301100261** | CFPX-180

AKA Number: LFXTAL100261

## Frequency Parameters

Frequency	40.0 MHz
Frequency Tolerance	± 30 ppm @ 25 °C ± 2 °C
Frequency Stability	± 50 ppm
Operating Temperature	-40 °C to 125 °C
Overtone Order	Fundamental
Ageing	± 5 ppm max. per year @ 25 °C

## Material Parameters

Termination Finish	Au Ni
Moisture Sensitivity Level (MSL)	Not Applicable

## Manufacturing Details

Reflow 260 °C max. over 10 seconds max.

## Company Address

IQD Frequency Products Ltd.  
Station Road  
Crewkerne  
Somerset  
TA18 8AR, United Kingdom

## Electrical Parameters

Load Capacitance $C_L$	8 pF
Shunt Capacitance $C_0$	7 pF max.
Drive Level	100 µW max.
ESR	35 Ω max.

## Environmental Parameters

Storage Temperature Range:	-55 °C to 125 °C
Shock:	1500 g, 0.5 ms, 3 times in each of the 3 mutually perpendicular planes.
Vibration:	MIL-STD-883F, 20 g (20 Hz ~ 2000 Hz), 1.52 mm amplitude, 20 minutes in 3 mutually perpendicular planes, 4 cycles.

## Technical Standards

RoHS Status	2015/863/EU - Compliant
REACH Status	(EC)1907/2006 - Compliant

## Packaging Details

Packaging SPQ	Tape & Reel 3000 pcs
Tape & reel in accordance with EIA-481	
Quantities below the standard reel size to be supplied on cut tape.	