

QUARTZ CRYSTAL MHZ

Part Number: 8301100253 | IQXC-42

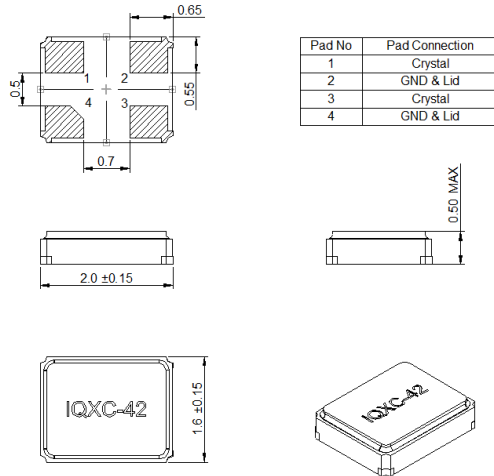
AKA Number: LFXTAL100253



General Information

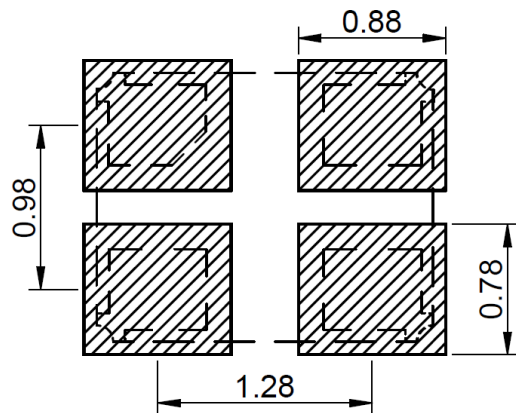
2 x 1.6 mm SMD crystal Ceramic package with a seam sealed metal lid, hermetically sealed

Dimensions [mm]



Note: The pad style on the base of the device may differ slightly from the drawing.
The chamfer may appear on pad 2 or 4.
This causes no change to the electrical performance of the device

Recommended Land Pattern [mm]



QUARTZ CRYSTAL MHZ



Part Number: 8301100253 | IQXC-42

AKA Number: LFX TAL100253

Frequency Parameters

Frequency	25.0 MHz
Frequency Tolerance	± 10 ppm @ 25 °C
Frequency Stability	± 100 ppm
Operating Temperature	-40 °C to 125 °C
Overtone Order	Fundamental
Ageing	± 3 ppm max. per year

Material Parameters

Termination Finish	Au 0.3 µm to 1 µm
Moisture Sensitivity Level (MSL)	Not Applicable

Manufacturing Details

Reflow: 255 °C for 30 seconds max.

Company Address

IQD Frequency Products Ltd.
Station Road
Crewkerne
Somerset
TA18 8AR, United Kingdom

Electrical Parameters

Load Capacitance C_L	10 pF
Shunt Capacitance C_0	3 pF max.
Drive Level	100 µW max.
ESR	80 Ω max.

Environmental Parameters

Storage Temperature Range: -55 °C to 125 °C

- Shock Test (MIL-STD-202 Method 213. Condition C): Half-sine shock pulse peak acceleration of 100 g, pulse duration of 6ms.
- Vibration (MIL-STD-202 Method 204): Frequency: 10 ~ 55 Hz. Amplitude: 0.7 - 0.9 mm pk-pk. Sweep: 1 minute. Duration: 2 hours in each of the 3 mutually perpendicular directions.

Technical Standards

RoHS Status	2015/863/EU - Compliant
REACH Status	(EC)1907/2006 - Compliant

Packaging Details

Packaging SPQ	Tape & Reel 3000 pcs
Tape & reel in accordance with EIA-481	
Quantities below the standard reel size to be supplied on cut tape.	