

# AKG 4 GNYE-EX - Connection terminal block



0421045

<https://www.phoenixcontact.com/gb/products/0421045>

Please be informed that the data shown in this PDF document is generated from our online catalog. Please find the complete data in the user documentation. Our general terms of use for downloads are valid.



Connection terminal block, nom. voltage: 300 V, nominal current: 32 A, connection method: Screw connection, Rated cross section: 4 mm<sup>2</sup>, cross section: 0.5 mm<sup>2</sup> - 6 mm<sup>2</sup>, mounting: Neutral busbar, color: green-yellow

## Commercial data

Item number	0421045
Packing unit	50 pc
Minimum order quantity	50 pc
Sales key	BE7331
Product key	BE7331
GTIN	4017918001940
Weight per piece (including packing)	5.522 g
Weight per piece (excluding packing)	4.71 g
Customs tariff number	85369010
Country of origin	IN

# AKG 4 GNYE-EX - Connection terminal block



0421045

<https://www.phoenixcontact.com/gb/products/0421045>

## Technical data

### Product properties

Product type	Installation terminal block
Number of connections	1
Number of rows	1

### Electrical properties

Maximum load current	41 A
Maximum power dissipation for nominal condition	1.02 W
Nominal current $I_N$	32 A

### Connection data

Nominal cross section	4 mm <sup>2</sup>
Maximum load current	41 A

#### Level 1 above 1 below 1

Connection method	Screw connection
Screw thread	M4
Tightening torque	1.5 ... 1.8 Nm
Stripping length	16 mm
Conductor cross-section rigid	0.5 mm <sup>2</sup> ... 6 mm <sup>2</sup>
Cross section AWG	20 ... 10 (converted acc. to IEC)
Conductor cross-section flexible	0.5 mm <sup>2</sup> ... 4 mm <sup>2</sup>
Conductor cross-section, flexible [AWG]	20 ... 12 (converted acc. to IEC)
Conductor cross-section flexible (ferrule without plastic sleeve)	0.5 mm <sup>2</sup> ... 6 mm <sup>2</sup>
Flexible conductor cross-section (ferrule with plastic sleeve)	0.5 mm <sup>2</sup> ... 6 mm <sup>2</sup>
2 conductors with same cross section, rigid	0.5 mm <sup>2</sup> ... 2.5 mm <sup>2</sup>
2 conductors with same cross section, flexible	0.5 mm <sup>2</sup> ... 2.5 mm <sup>2</sup>
2 conductors with same cross section, flexible, with ferrule without plastic sleeve	0.5 mm <sup>2</sup> ... 2.5 mm <sup>2</sup>
2 conductors with the same cross section, flexible, with TWIN ferrule with plastic sleeve	0.5 mm <sup>2</sup> ... 2.5 mm <sup>2</sup>
Nominal cross section	4 mm <sup>2</sup>
Nominal current	32 A
Maximum load current	41 A (with 6 mm <sup>2</sup> conductor cross-section)
Nominal voltage	300 V

### Ex data

#### Rated data (ATEX/IECEx)

Identification	Ⓔ II 2 G Ex eb IIC Gb
Operating temperature range	-60 °C ... 125 °C
Ex-certified accessories	0404415 AB/SS-EX 0402006 NLS-CU 3/10 SN 2000MM

# AKG 4 GNYE-EX - Connection terminal block



0421045

<https://www.phoenixcontact.com/gb/products/0421045>

	1212588 SF-SL 0,8X4,0-100 S-VDE
Ex temperature increase	25 K (32 A / 4 mm <sup>2</sup> )
output	(Permanent)

## Ex level General

Rated current	32 A
Maximum load current	41 A
Contact resistance	0.08 mΩ

## Ex connection data General

Torque range	1.5 Nm ... 1.8 Nm
Nominal cross section	4 mm <sup>2</sup>
Rated cross section AWG	12
Connection capacity rigid	0.5 mm <sup>2</sup> ... 6 mm <sup>2</sup>
Connection capacity AWG	20 ... 10
Connection capacity flexible	0.5 mm <sup>2</sup> ... 4 mm <sup>2</sup>
Connection capacity AWG	20 ... 12
2 conductors with same cross section, solid	0.5 mm <sup>2</sup> ... 2.5 mm <sup>2</sup>
2 conductors with the same cross-section AWG rigid	20 ... 14
2 conductors with same cross section, stranded	0.5 mm <sup>2</sup> ... 2.5 mm <sup>2</sup>
2 conductors with the same cross-section AWG flexible	20 ... 14

## Dimensions

Dimensional drawing	
Width	7 mm
Height	23.4 mm
Depth	24 mm
Length	23.4 mm

## Material specifications

Color	green-yellow
Temperature index of insulation material (DIN EN 60216-1 (VDE 0304-21))	125 °C
Relative insulation material temperature index (Elec., UL 746 B)	125 °C

## Electrical tests

Result	Test passed
--------	-------------

## Mechanical tests

### Mechanical strength

Result	Test passed
--------	-------------

### Attachment on the carrier

Result	Test passed
--------	-------------

## Environmental and real-life conditions

### Needle-flame test

Result	Test passed
--------	-------------

### Ambient conditions

Ambient temperature (operation)	-60 °C ... 110 °C (Operating temperature range incl. self-heating; for max. short-term operating temperature, see RTI Elec.)
Ambient temperature (storage/transport)	-25 °C ... 60 °C (for a short time, not exceeding 24 h, -60 °C to +70 °C)
Ambient temperature (assembly)	-5 °C ... 70 °C
Ambient temperature (actuation)	-5 °C ... 70 °C
Permissible humidity (operation)	20 % ... 90 %
Permissible humidity (storage/transport)	30 % ... 70 %

## Mounting

Mounting type	Neutral busbar
---------------	----------------

# AKG 4 GNYE-EX - Connection terminal block

0421045

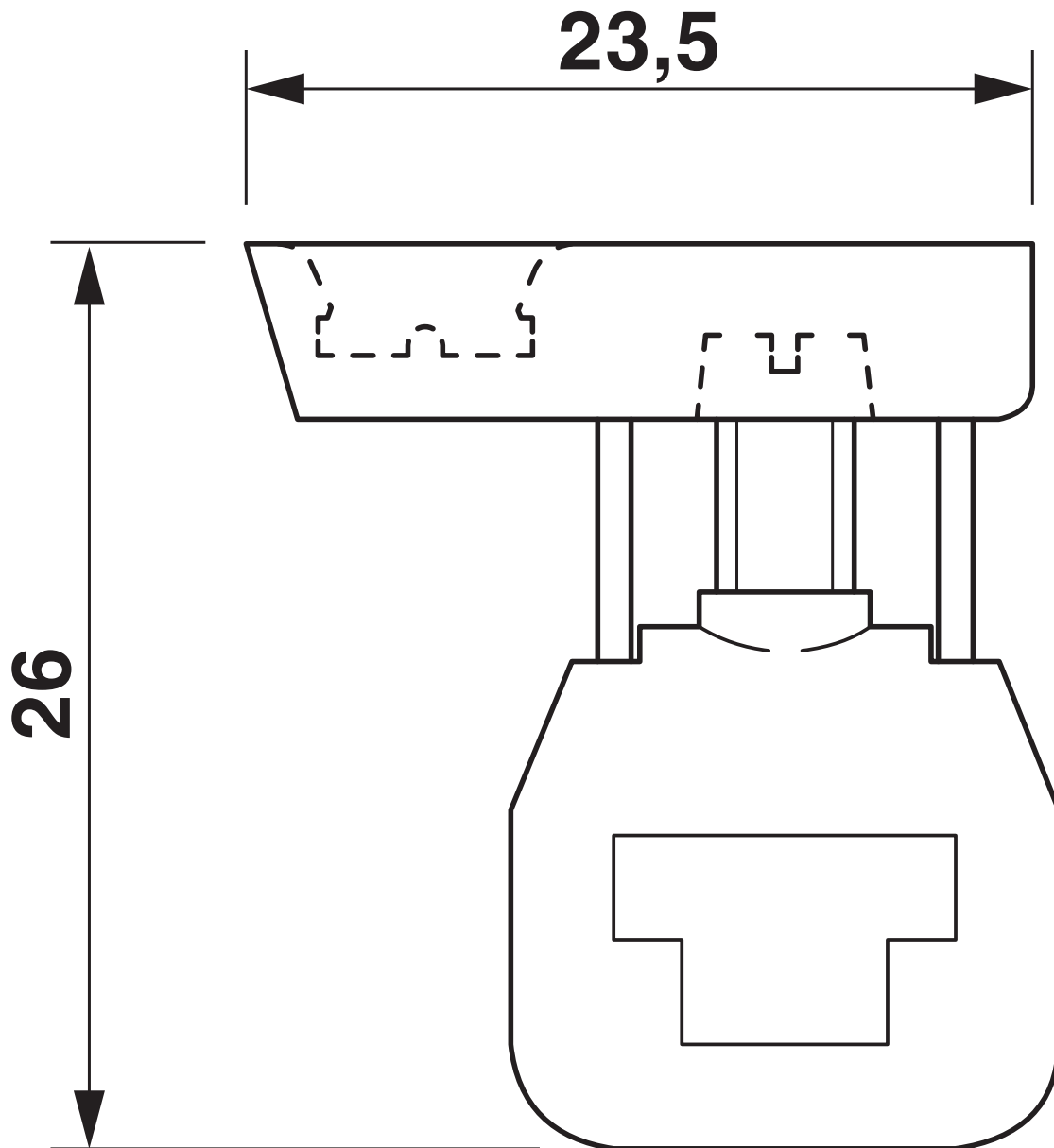
<https://www.phoenixcontact.com/gb/products/0421045>

## Drawings

Dimensional drawing



Dimensional drawing



# AKG 4 GNYE-EX - Connection terminal block





0421045

<https://www.phoenixcontact.com/gb/products/0421045>


## Approvals


To download certificates, visit the product detail page: <https://www.phoenixcontact.com/gb/products/0421045>


 <b>cUL Recognized</b> Approval ID: E192998				
	Nominal voltage $U_N$	Nominal current $I_N$	Cross section AWG	Cross section $mm^2$
keine				
	-	-	22 - 12	22 - 12

 <b>IECEx</b> Approval ID: IECExKIWA14.0005U				
--	--	--	--	--

 <b>UL Recognized</b> Approval ID: E192998				
	Nominal voltage $U_N$	Nominal current $I_N$	Cross section AWG	Cross section $mm^2$
keine				
	-	-	22 - 12	-

 <b>ATEX</b> Approval ID: KIWA14ATEX0011U				
	Nominal voltage $U_N$	Nominal current $I_N$	Cross section AWG	Cross section $mm^2$
keine				
Only flexible conductors	-	32 A	-	0.5 - 4
Only rigid conductors	-	41 A	-	0.5 - 6

 <b>CCC</b> Approval ID: 2020322313000874				
---	--	--	--	--

 <b>EAC Ex</b> Approval ID: KZ 7500525010101950				
---	--	--	--	--

# AKG 4 GNYE-EX - Connection terminal block



0421045

<https://www.phoenixcontact.com/gb/products/0421045>

## Classifications

### ECLASS

ECLASS-13.0	27250116
ECLASS-15.0	27250116

### ETIM

ETIM 10.0	EC000001
-----------	----------

### UNSPSC

UNSPSC 21.0	31162900
-------------	----------

# AKG 4 GNYE-EX - Connection terminal block



0421045

<https://www.phoenixcontact.com/gb/products/0421045>

## Environmental product compliance

### EU RoHS

Fulfills EU RoHS substance requirements	Yes, No exemptions
---	--------------------

### China RoHS

Environment friendly use period (EFUP)	EFUP-E
	No hazardous substances above the limits

### EU REACH SVHC

REACH candidate substance (CAS No.)	No substance above 0.1 wt%
-------------------------------------	----------------------------

Phoenix Contact 2026 © - all rights reserved  
<https://www.phoenixcontact.com>

PHOENIX CONTACT Ltd  
Halesfield 13, Telford  
Shropshire, TF7 4PG  
01952 681700  
[info@phoenixcontact.co.uk](mailto:info@phoenixcontact.co.uk)