

AK 35 - Connection terminal block



0404046

<https://www.phoenixcontact.com/gb/products/0404046>

Please be informed that the data shown in this PDF document is generated from our online catalog. Please find the complete data in the user documentation. Our general terms of use for downloads are valid.



Connection terminal block, connection method: Screw connection, Rated cross section: 35 mm², cross section: 2.5 mm² - 35 mm², mounting: Neutral busbar, color: silver-colored

Commercial data

Item number	0404046
Packing unit	50 pc
Minimum order quantity	50 pc
Sales key	BE7331
Product key	BE7331
GTIN	4017918001865
Weight per piece (including packing)	18.02 g
Weight per piece (excluding packing)	17.75 g
Customs tariff number	85369010
Country of origin	PL

AK 35 - Connection terminal block

0404046

<https://www.phoenixcontact.com/gb/products/0404046>

Technical data

Product properties

Product type	Pick-off terminal
Number of connections	1
Number of rows	1

Electrical properties

Maximum power dissipation for nominal condition	4.06 W
Nominal current I_N	125 A
Current carrying capacity of the neutral busbar	140 A

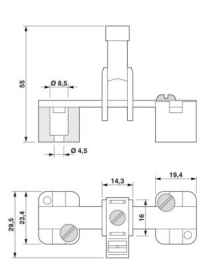
Connection data

Nominal cross section	35 mm ²
-----------------------	--------------------

Level 1 above 1 below 1

Connection method	Screw connection
Screw thread	M6
Tightening torque	3.2 ... 3.7 Nm
Stripping length	16 mm
Connection in acc. with standard	IEC / EN
Conductor cross-section rigid	2.5 mm ² ... 35 mm ²
Cross section AWG	12 ... 2 (converted acc. to IEC)
Conductor cross-section flexible	2.5 mm ² ... 35 mm ²
Conductor cross-section, flexible [AWG]	12 ... 2 (converted acc. to IEC)
2 conductors with same cross section, rigid	1.5 mm ² ... 16 mm ²
2 conductors with same cross section, flexible	1.5 mm ² ... 16 mm ²
Nominal cross section	35 mm ²
Maximum load current	125 A (with 35 mm ² conductor cross-section)

Dimensions

Dimensional drawing	
Width	14.3 mm
Height	26 mm
Depth	43 mm
Length	26 mm

AK 35 - Connection terminal block



0404046

<https://www.phoenixcontact.com/gb/products/0404046>

Material specifications

Color	silver-colored
Flammability rating according to UL 94	V2

Standards and regulations

Connection in acc. with standard	IEC / EN
----------------------------------	----------

Mounting

Mounting type	Neutral busbar
---------------	----------------

AK 35 - Connection terminal block

0404046

<https://www.phoenixcontact.com/gb/products/0404046>

Drawings

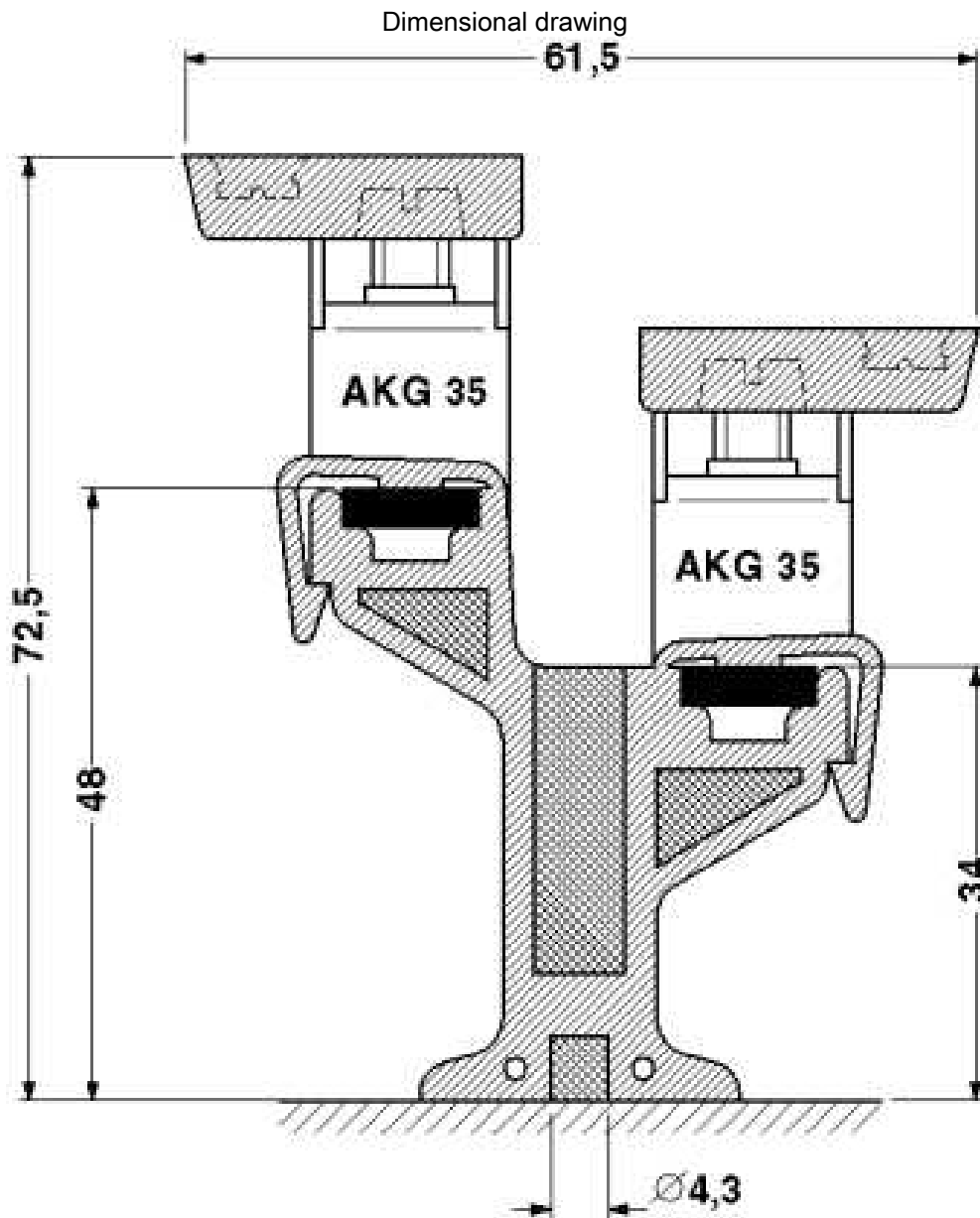
Dimensional drawing



AK 35 - Connection terminal block

0404046

<https://www.phoenixcontact.com/gb/products/0404046>



AK 35 - Connection terminal block



0404046

<https://www.phoenixcontact.com/gb/products/0404046>

Approvals

To download certificates, visit the product detail page: <https://www.phoenixcontact.com/gb/products/0404046>



EAC

Approval ID: KZ7500651131219505

AK 35 - Connection terminal block



0404046

<https://www.phoenixcontact.com/gb/products/0404046>

Classifications

ECLASS

ECLASS-13.0	27250116
ECLASS-15.0	27250116

ETIM

ETIM 10.0	EC000001
-----------	----------

UNSPSC

UNSPSC 21.0	31162900
-------------	----------

AK 35 - Connection terminal block



0404046

<https://www.phoenixcontact.com/gb/products/0404046>

Environmental product compliance

EU RoHS

Fulfills EU RoHS substance requirements	Yes, No exemptions
---	--------------------

China RoHS

Environment friendly use period (EFUP)	EFUP-E
	No hazardous substances above the limits

EU REACH SVHC

REACH candidate substance (CAS No.)	No substance above 0.1 wt%
-------------------------------------	----------------------------

EF3.1 Climate Change

CO2e kg	0.085 kg CO2e
---------	---------------

Phoenix Contact 2026 © - all rights reserved
<https://www.phoenixcontact.com>

PHOENIX CONTACT Ltd
Halesfield 13, Telford
Shropshire, TF7 4PG
01952 681700
info@phoenixcontact.co.uk