

AB/SKS - Support bracket

3240224

<https://www.phoenixcontact.com/gb/products/3240224>

Please be informed that the data shown in this PDF document is generated from our online catalog. Please find the complete data in the user documentation. Our general terms of use for downloads are valid.

Support bracket for busbars



Your advantages

- For mounting SK and SKS shield connection clamps
- AB/SS for isolated installation on the mounting panel
- AB/SS-M for contacted installation on the mounting panel

Commercial data

Item number	3240224
Packing unit	10 pc
Minimum order quantity	10 pc
Sales key	BE7113
Product key	BE7113
GTIN	4046356455718
Weight per piece (including packing)	8.71 g
Weight per piece (excluding packing)	8.71 g
Customs tariff number	39269097
Country of origin	DE

AB/SKS - Support bracket

3240224

<https://www.phoenixcontact.com/gb/products/3240224>

Technical data

Notes

Material information	made of insulating material, with bracket clip for accommodating busbar 3 x 10 mm or 6 x 6 mm.
----------------------	--

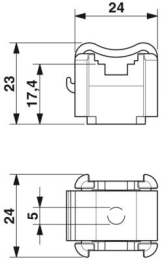
Product properties

Product type	Support bracket
Number of positions	1

Electrical properties

Nominal current I_N	0 A
-----------------------	-----

Dimensions

Dimensional drawing	
Diameter	5 mm

Material specifications

Color	gray (RAL 7042)
Material	PA
Temperature index of insulation material (DIN EN 60216-1 (VDE 0304-21))	120 °C
Relative insulation material temperature index (Elec., UL 746 B)	130 °C

Environmental and real-life conditions

Ambient conditions

Ambient temperature (operation)	-60 °C ... 105 °C (max. short-term operating temperature RTI Elec.)
Ambient temperature (storage/transport)	-25 °C ... 60 °C (for a short time, not exceeding 24 h, -60 °C to +70 °C)
Ambient temperature (assembly)	-5 °C ... 70 °C
Ambient temperature (actuation)	-5 °C ... 70 °C
Permissible humidity (storage/transport)	30 % ... 70 %

Mounting

Mounting type	Direct mounting
---------------	-----------------

AB/SKS - Support bracket

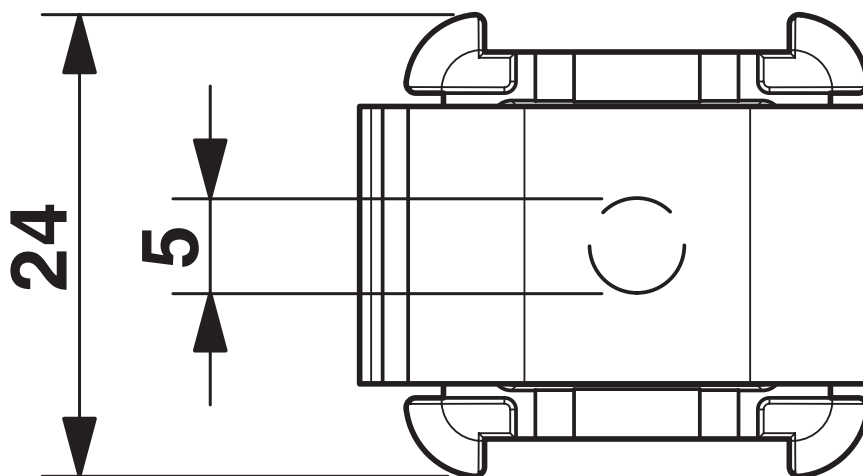
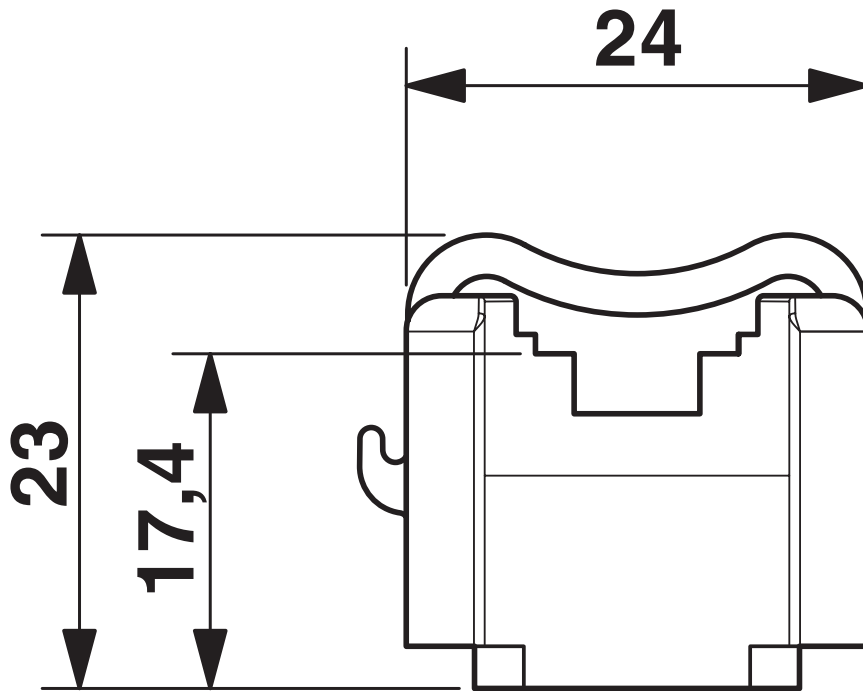
3240224

<https://www.phoenixcontact.com/gb/products/3240224>



Drawings

Dimensional drawing



AB/SKS - Support bracket



3240224

<https://www.phoenixcontact.com/gb/products/3240224>

Classifications

ECLASS

ECLASS-13.0	27400607
ECLASS-15.0	27400607

ETIM

ETIM 10.0	EC001166
-----------	----------

UNSPSC

UNSPSC 21.0	39121700
-------------	----------

AB/SKS - Support bracket

3240224

<https://www.phoenixcontact.com/gb/products/3240224>



Environmental product compliance

EU RoHS

Fulfills EU RoHS substance requirements	Yes, No exemptions
---	--------------------

China RoHS

Environment friendly use period (EFUP)	EFUP-E
	No hazardous substances above the limits

EU REACH SVHC

REACH candidate substance (CAS No.)	No substance above 0.1 wt%
-------------------------------------	----------------------------

EF3.1 Climate Change

CO2e kg	0.028 kg CO2e
---------	---------------

Phoenix Contact 2026 © - all rights reserved
<https://www.phoenixcontact.com>

PHOENIX CONTACT Ltd
Halesfield 13, Telford
Shropshire, TF7 4PG
01952 681700
info@phoenixcontact.co.uk