

AB-SK TOP - Support bracket

3062090

<https://www.phoenixcontact.com/gb/products/3062090>

Please be informed that the data shown in this PDF document is generated from our online catalog. Please find the complete data in the user documentation. Our general terms of use for downloads are valid.

Support bracket, Bracket for busbars, set every 20 cm, width: 5.2 mm, height: 102.4 mm, number of positions: 1, color: gray, mounting type: DIN rail mounting



Your advantages

- For mounting SK and SKS shield connection clamps
- Can be labeled with zack marker strip and KLM terminal strip markers
- Compact design with 5.2 mm pitch
- Parking option for FBS plug-in bridges
- For user-friendly shield connection, especially for single and multi-level terminal blocks and devices with a front connection
- The 3 x 10 mm rail can be mounted in the supports vertically, horizontally, and at a 45° angle for optimum conductor placement
- End bracket function

Commercial data

Item number	3062090
Packing unit	10 pc
Minimum order quantity	10 pc
Sales key	BE7113
Product key	BE7113
GTIN	4046356592086
Weight per piece (including packing)	17.69 g
Weight per piece (excluding packing)	11.51 g
Customs tariff number	39269097
Country of origin	CN

AB-SK TOP - Support bracket

3062090

<https://www.phoenixcontact.com/gb/products/3062090>

Technical data

Notes

Assembly note	direct contact with NS 35
---------------	---------------------------

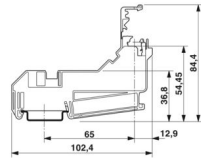
Product properties

Product type	Support bracket
Number of positions	1

Electrical properties

Nominal current I_N	0 A
-----------------------	-----

Dimensions

Dimensional drawing	
Width	5.2 mm
Height	102.4 mm
Depth on NS 35/7,5	63.2 mm
Depth on NS 35/15	70.7 mm

Material specifications

Color	gray (RAL 7042)
Material	PA
Insulating material	PA
Static insulating material application in cold	-60 °C
Temperature index of insulating material (DIN EN 60216-1 (VDE 0304-21))	130 °C
Relative insulation material temperature index (Elec., UL 746 B)	130 °C

Environmental and real-life conditions

Ambient conditions

Ambient temperature (operation)	-60 °C ... 105 °C (max. short-term operating temperature RTI Elec.)
Ambient temperature (storage/transport)	-25 °C ... 60 °C (for a short time, not exceeding 24 h, -60 °C to +70 °C)
Ambient temperature (assembly)	-5 °C ... 70 °C
Ambient temperature (actuation)	-5 °C ... 70 °C
Permissible humidity (storage/transport)	30 % ... 70 %

Mounting

Mounting type	DIN rail mounting
---------------	-------------------

AB-SK TOP - Support bracket

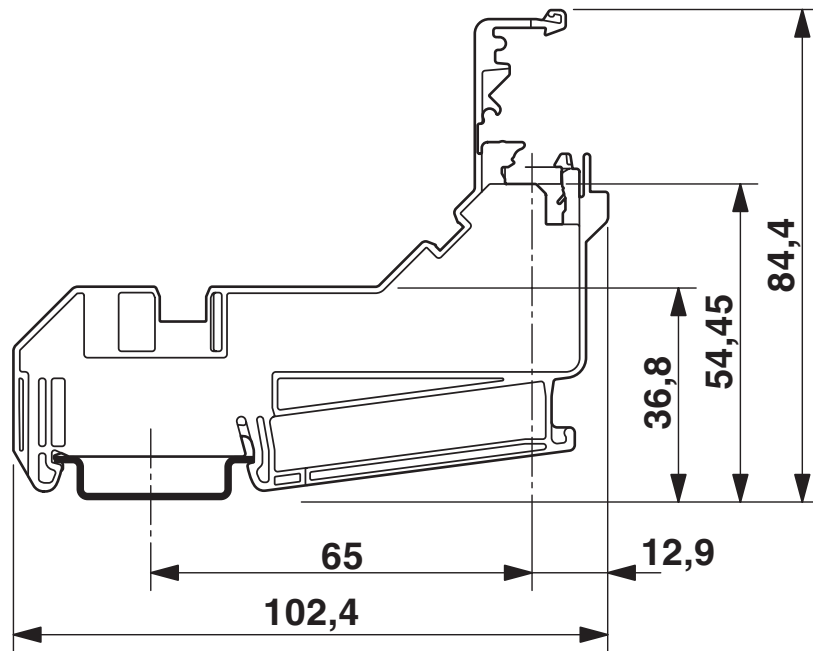
3062090

<https://www.phoenixcontact.com/gb/products/3062090>



Drawings

Dimensional drawing



AB-SK TOP - Support bracket



3062090

<https://www.phoenixcontact.com/gb/products/3062090>

Classifications

ECLASS

ECLASS-13.0	27400607
ECLASS-15.0	27400607

ETIM

ETIM 10.0	EC001166
-----------	----------

UNSPSC

UNSPSC 21.0	39121700
-------------	----------

AB-SK TOP - Support bracket

3062090

<https://www.phoenixcontact.com/gb/products/3062090>



Environmental product compliance

EU RoHS

Fulfills EU RoHS substance requirements	Yes, No exemptions
---	--------------------

China RoHS

Environment friendly use period (EFUP)	EFUP-E
	No hazardous substances above the limits

EU REACH SVHC

REACH candidate substance (CAS No.)	No substance above 0.1 wt%
-------------------------------------	----------------------------

EF3.1 Climate Change

CO2e kg	0.289 kg CO2e
---------	---------------

Phoenix Contact 2026 © - all rights reserved
<https://www.phoenixcontact.com>

PHOENIX CONTACT Ltd
Halesfield 13, Telford
Shropshire, TF7 4PG
01952 681700
info@phoenixcontact.co.uk