

# SK 14-D - Shield connection terminal block



3026874

<https://www.phoenixcontact.com/gb/products/3026874>

Please be informed that the data shown in this PDF document is generated from our online catalog. Please find the complete data in the user documentation. Our general terms of use for downloads are valid.



Shield connection terminal block, for direct shield on conductive mounting panels, sheet thickness 1 mm ... 2 mm

## Your advantages

- Easy handling
- Spring-loaded, large-surface pressure plate
- Suitable for direct and busbar mounting
- Knurled screw
- As components, it is not possible to certify shield connections in accordance with the requirements of the directive and standards for electrical equipment in potentially explosive areas. As such, shield connection clamps can be used in the Ex area even without an appropriate approval or marking.

## Commercial data

Item number	3026874
Packing unit	10 pc
Minimum order quantity	10 pc
Sales key	BE7511
Product key	BE7511
GTIN	4017918820268
Weight per piece (including packing)	18.5 g
Weight per piece (excluding packing)	18.48 g
Customs tariff number	85369010
Country of origin	DE

# SK 14-D - Shield connection terminal block

3026874

<https://www.phoenixcontact.com/gb/products/3026874>

## Technical data

### Notes

#### General

Note	The shield connection clamps must not be used for strain relief of cables/conductors.
	Do not use for protective conductor connection.

### Product properties

Product type	Shield connection clamp
Pitch	17 mm
Number of connections	1
Number of rows	1

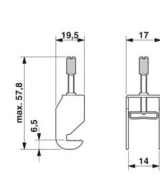
### Electrical properties

Maximum power dissipation for nominal condition	0.77 W
---	--------

### Connection data

Grounding foot	Yes
Connection method	Screw connection
Screw thread	M4
Tightening torque	0.8 ... 0.8 Nm

### Dimensions

Dimensional drawing	
Width	17 mm
Height	19.5 mm
Depth	57.8 mm
Pitch	17 mm

#### External dimensions

Outside diameter	3 mm ... 14 mm
------------------	----------------

### Material specifications

Color	silver-colored
Material	Steel

### Cable/line

External cable diameter	3 mm ... 14 mm
-------------------------	----------------

# SK 14-D - Shield connection terminal block



3026874

<https://www.phoenixcontact.com/gb/products/3026874>

## Mechanical properties

### Mechanical data

Open side panel

No

## Mounting

Mounting type

direct screw connection

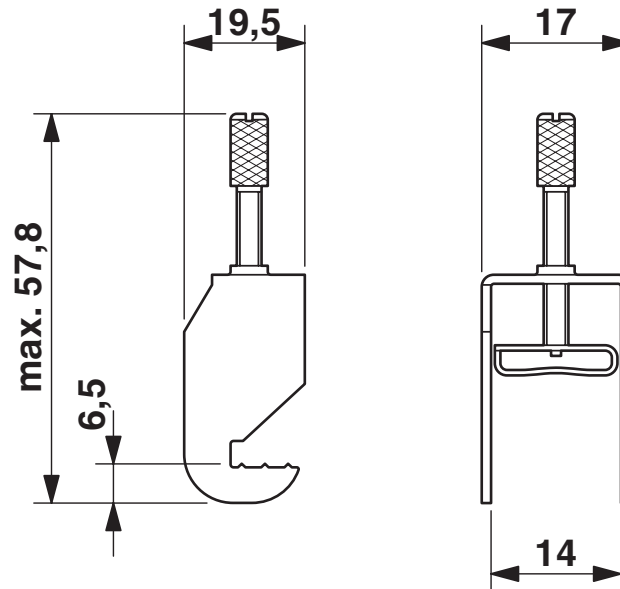
# SK 14-D - Shield connection terminal block

3026874

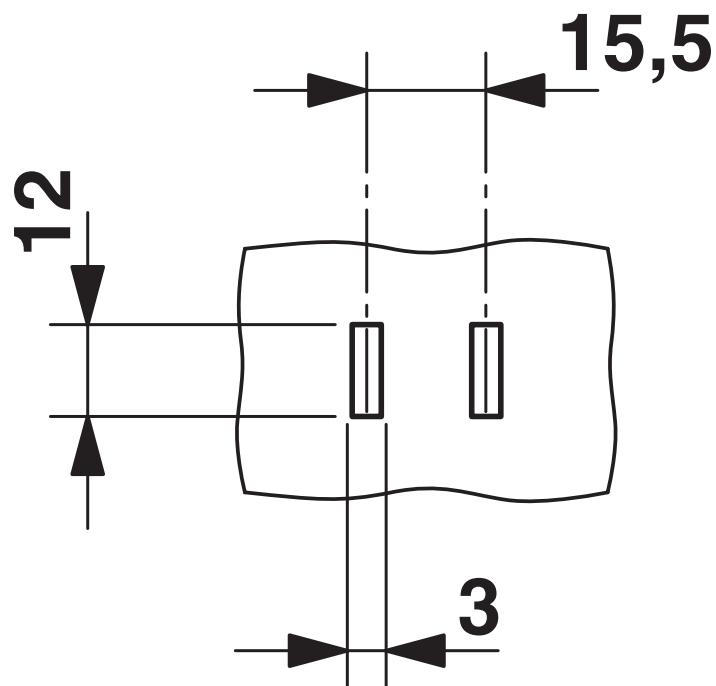
<https://www.phoenixcontact.com/gb/products/3026874>

## Drawings

Dimensional drawing



Dimensional drawing



Punching template

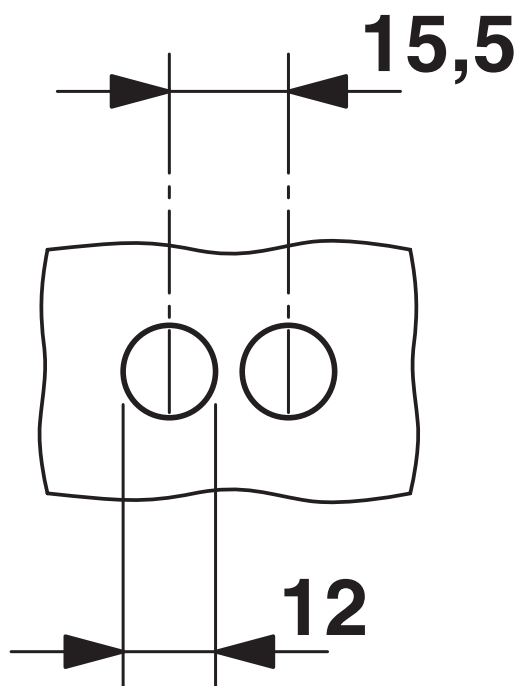
# SK 14-D - Shield connection terminal block

3026874

<https://www.phoenixcontact.com/gb/products/3026874>



Dimensional drawing



Drilling diagram

# SK 14-D - Shield connection terminal block



3026874

<https://www.phoenixcontact.com/gb/products/3026874>

## Classifications

### ECLASS

ECLASS-13.0	27250309
ECLASS-15.0	27250309

### ETIM

ETIM 10.0	EC002020
-----------	----------

### UNSPSC

UNSPSC 21.0	39121400
-------------	----------

# SK 14-D - Shield connection terminal block



3026874

<https://www.phoenixcontact.com/gb/products/3026874>

## Environmental product compliance

### EU RoHS

Fulfills EU RoHS substance requirements	Yes, No exemptions
---	--------------------

### China RoHS

Environment friendly use period (EFUP)	EFUP-E
	No hazardous substances above the limits

### EU REACH SVHC

REACH candidate substance (CAS No.)	No substance above 0.1 wt%
-------------------------------------	----------------------------

### EF3.1 Climate Change

CO2e kg	0.07 kg CO2e
---------	--------------

Phoenix Contact 2026 © - all rights reserved  
<https://www.phoenixcontact.com>

PHOENIX CONTACT Ltd  
Halesfield 13, Telford  
Shropshire, TF7 4PG  
01952 681700  
[info@phoenixcontact.co.uk](mailto:info@phoenixcontact.co.uk)