

AB/NS - Support bracket

1201141

<https://www.phoenixcontact.com/gb/products/1201141>

Please be informed that the data shown in this PDF document is generated from our online catalog. Please find the complete data in the user documentation. Our general terms of use for downloads are valid.



Support bracket, for insulated mounting of DIN rails in insulated systems, plastic, 21 mm high

Your advantages

- The support can be used for fully insulated DIN rail support bracket

Commercial data

Item number	1201141
Packing unit	10 pc
Minimum order quantity	10 pc
Sales key	BE7113
Product key	BE7113
GTIN	4017918017248
Weight per piece (including packing)	17.4 g
Weight per piece (excluding packing)	17.16 g
Customs tariff number	85472000
Country of origin	DE

AB/NS - Support bracket

1201141

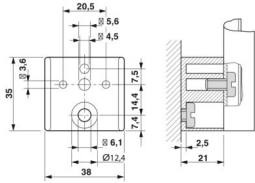
<https://www.phoenixcontact.com/gb/products/1201141>

Technical data

Product properties

Product type	Support bracket
--------------	-----------------

Dimensions

Dimensional drawing	
Width	38 mm
Height	35 mm
Depth	21 mm
Length	35 mm
Diameter	7.2 mm

Material specifications

Color	gray (RAL 7042)
Material	PA
Flammability rating according to UL 94	V2
Coating	uncoated

Environmental and real-life conditions

Ambient conditions

Ambient temperature (operation)	-60 °C ... 105 °C (max. short-term operating temperature RTI Elec.)
Ambient temperature (storage/transport)	-25 °C ... 60 °C (for a short time, not exceeding 24 h, -60 °C to +70 °C)
Ambient temperature (assembly)	-5 °C ... 70 °C
Ambient temperature (actuation)	-5 °C ... 70 °C
Permissible humidity (storage/transport)	30 % ... 70 %

Mounting

Mounting type	Direct mounting
---------------	-----------------

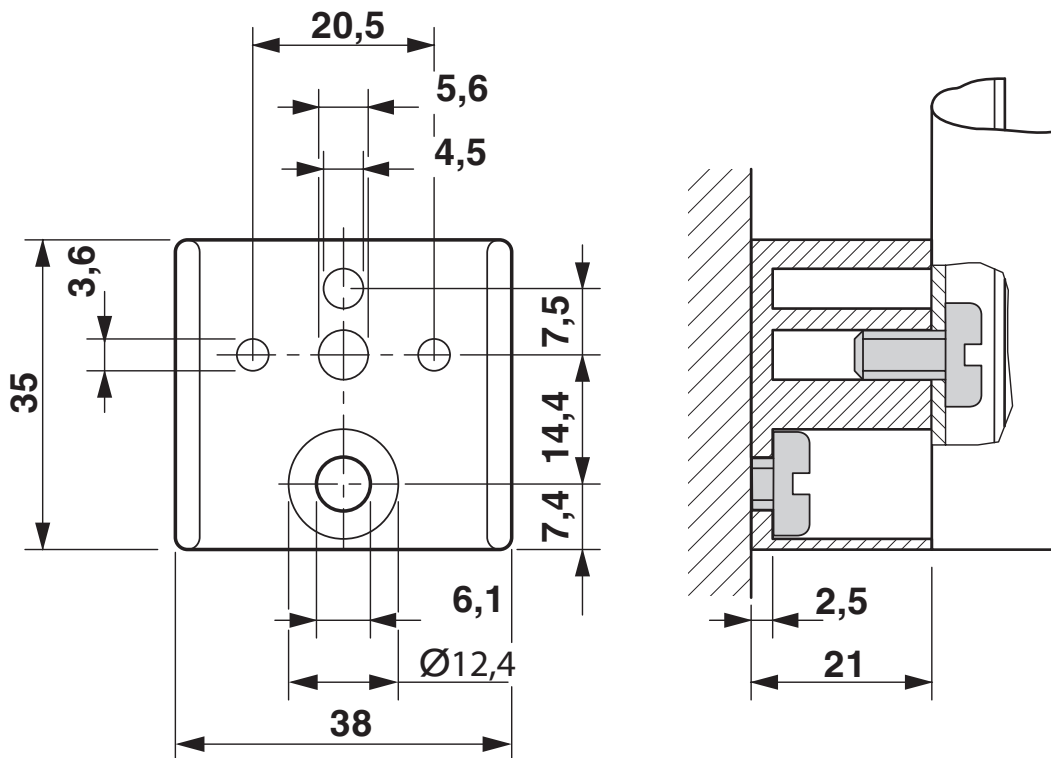
AB/NS - Support bracket

1201141

<https://www.phoenixcontact.com/gb/products/1201141>

Drawings

Dimensional drawing



AB/NS - Support bracket



1201141

<https://www.phoenixcontact.com/gb/products/1201141>

Classifications

ECLASS

ECLASS-13.0	27370419
ECLASS-15.0	27370419

ETIM

ETIM 10.0	EC001024
-----------	----------

UNSPSC

UNSPSC 21.0	39121400
-------------	----------

1201141

<https://www.phoenixcontact.com/gb/products/1201141>

Environmental product compliance

EU RoHS

Fulfills EU RoHS substance requirements	Yes, No exemptions
---	--------------------

China RoHS

Environment friendly use period (EFUP)	EFUP-E
	No hazardous substances above the limits

EU REACH SVHC

REACH candidate substance (CAS No.)	No substance above 0.1 wt%
-------------------------------------	----------------------------

EF3.1 Climate Change

CO2e kg	0.086 kg CO2e
---------	---------------

Phoenix Contact 2026 © - all rights reserved
<https://www.phoenixcontact.com>

PHOENIX CONTACT Ltd
Halesfield 13, Telford
Shropshire, TF7 4PG
01952 681700
info@phoenixcontact.co.uk