

SERIES: PSK-20E | **DESCRIPTION:** INTERNAL AC-DC POWER SUPPLY

FEATURES

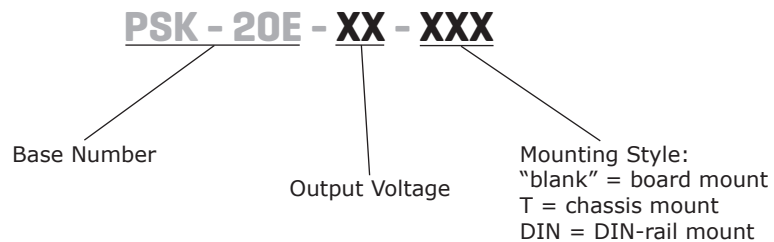
- universal input 85~305 Vac & 100~430 Vdc
- wide operating temperature range (-40~85°C)
- Class B emissions (EN55032/CISPR) with application circuit
- certified to IEC/EN/UL 62368-1
- isolation voltage 4,000 Vac
- short circuit and over current protection
- Class II
- low stand-by power consumption (<0.1 W)
- 2,000 m operating altitude
- high efficiency up to 87%
- OVC III



MODEL	output voltage	output current	output power	ripple and noise ¹	efficiency ²
	(Vdc)	max (A)	max (W)	max (mVp-p)	typ (%)
PSK-20E-3	3.3	4.5	14.85	150	81
PSK-20E-5	5	4.0	20.0	150	85
PSK-20E-9	9	2.2	20.0	150	84
PSK-20E-12	12	1.67	20.0	150	85
PSK-20E-15	15	1.33	20.0	150	86
PSK-20E-24	24	0.83	20.0	150	87

Notes: 1. Ripple & noise are measured at 20 MHz BW, with 10µF electrolytic capacitor and 1µF ceramic capacitor.
 2. It is recommended to use at a load of over 5%. If the load is below 5%, the ripple index of the product may exceed the specifications, but it does not affect the reliability of the product.
 3. Unless otherwise specified, all indicators in this manual are measured at Ta=25 °C, humidity<75% RH, nominal input voltage, and output rated load.

PART NUMBER KEY



INPUT

parameter	conditions/description	min	typ	max	units
voltage ⁴	ac input	85		305	Vac
	dc input	100		430	Vdc
frequency		47	50~60	63	Hz
current	110 Vac			0.5	A
	230 Vac			0.3	A
external input fuse	3.15 A/300 V, slow-blow, required				
leakage current	230 Vac/50 Hz			0.1	mA
no load power consumption	at 230 Vac		0.1		W

Notes: 4. The input voltage should not exceed the specified range value to prevent permanent and irreparable damage.

OUTPUT

parameter	conditions/description	min	typ	max	units
capacitive load	3.3, 5 Vdc output model			8,000	μF
	9 Vdc output model			5,400	μF
	12 Vdc output model			4,000	μF
	15 Vdc output model			3,000	μF
	24 Vdc output model			1,000	μF
output voltage accuracy			±2		%
line regulation			±0.5		%
load regulation	0% ~ 100% load		±1.0		%
hold-up time	at 230 Vac		55		ms
temperature coefficient			±0.02		%/°C

PROTECTIONS

parameter	conditions/description	min	typ	max	units
over current protection		110			%
short circuit protection	continuous, auto recovery				

SAFETY & COMPLIANCE

parameter	conditions/description	min	typ	max	units
isolation voltage	input to output, for 1 minute, 5mA max	4,000			Vac
safety approvals	certified to 62368-1: IEC, EN, UL designed to meet 61558: EN designed to meet 60335: EN				
safety class	Class II (without external circuit)				
EMI/EMC	CISPR32/EN55032 CLASS B				
ESD	IEC/EN61000-4-2 Contact ±6 kV/Air ±8 kV, perf. Criteria A				
radiated immunity	IEC/EN61000-4-3 10 V/m, perf. Criteria A				
EFT/burst	IEC/EN61000-4-4 ±2 kV perf. Criteria A				
	IEC/EN61000-4-4 ±4 kV (see recommended circuit Fig. 2), perf. Criteria A				
surge	IEC/EN61000-4-5 line to line ±1 kV perf. Criteria A				
	IEC/EN61000-4-5 line to line ±2 kV (see recommended circuit Fig. 2), perf. Criteria A				
conducted immunity	IEC/EN61000-4-6 10 Vrms, perf. Criteria A				
MTBF	MIL-HDBK-217F at 25°C	1,500,000			hours
RoHS	yes				

ENVIRONMENTAL

parameter	conditions/description	min	typ	max	units
operating temperature		-40		85	°C
storage temperature		-40		85	°C
storage humidity	non-condensing	0		95	%

SOLDERABILITY

parameter	conditions/description	min	typ	max	units
wave soldering	5~10 seconds max	255	260	265	°C
hand soldering	5~10 seconds max	355	360	365	°C

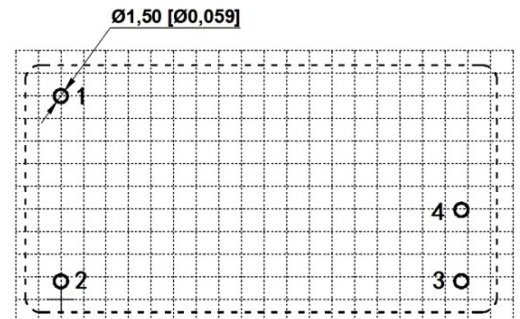
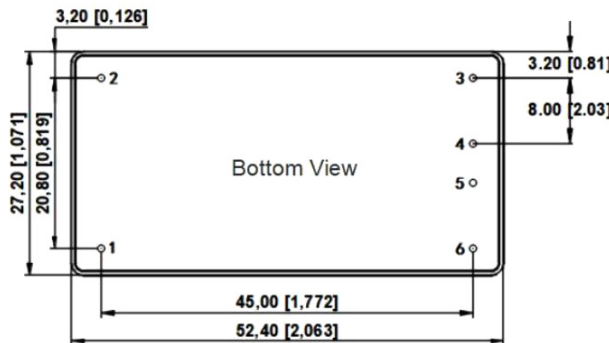
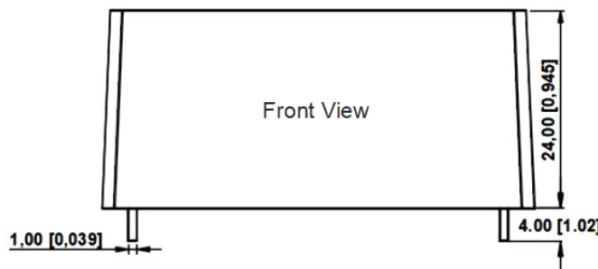
MECHANICAL

parameter	conditions/description	min	typ	max	units
dimensions	board mount: 52.40 x 27.20 x 24.00 [1.331 x 0.690 x 0.610 inch]				mm
	chassis mount: 76.0 x 31.50 x 32.80 [2.992 x 1.240 x 1.291 inch]				mm
	DIN-rail mout: 76.0 x 31.50 x 37.40 [2.992 x 1.240 x 1.472 inch]				mm
weight	board mount		50.5		g
	chassis mount		69.9		g
	DIN-rail mout		90.15		g
case material	black plastic, flame-retardant and heat-resistant (UL94V-0)				
cooling	natural convection				

MECHANICAL DRAWING

units: mm [inch]
 pin diameter tolerance: ±0.10 [±0.004]
 tolerance: ±0.50 [±0.020]

PIN CONNECTIONS	
PIN	Function
1	AC(L)
2	AC(N)
3	-Vo
4	+Vo
5	no pin
6	no pin



MECHANICAL DRAWING (CONTINUED)

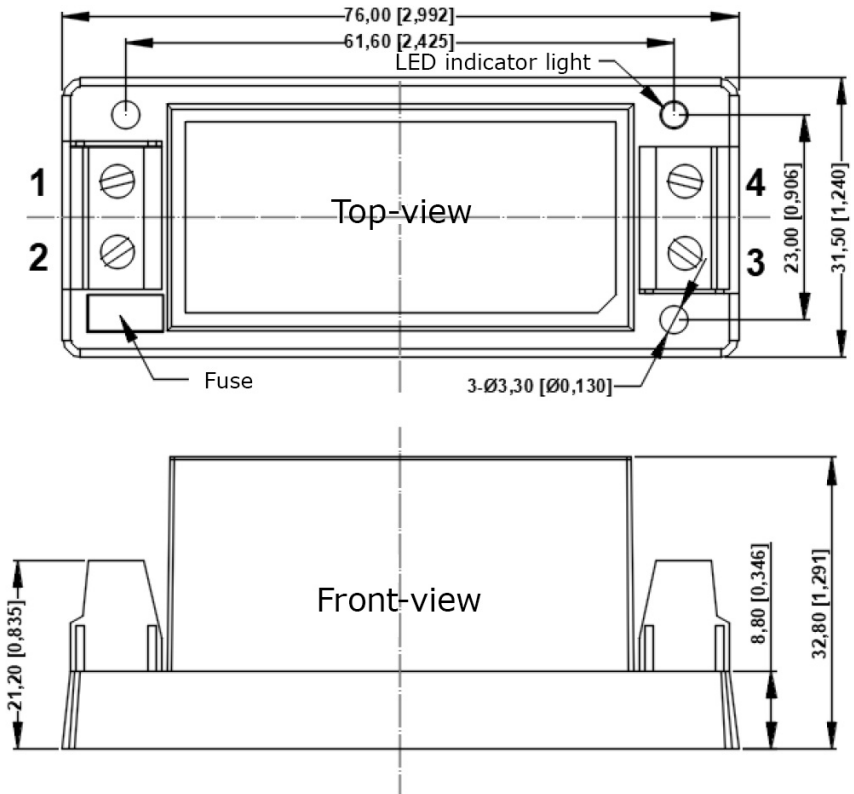
Chassis mount

units: mm [inch]

pin diameter tolerance: ± 0.10 [± 0.004]

tolerance: ± 0.50 [± 0.020]

PIN CONNECTIONS	
PIN	Function
1	AC(L)
2	AC(N)
3	-Vo
4	+Vo



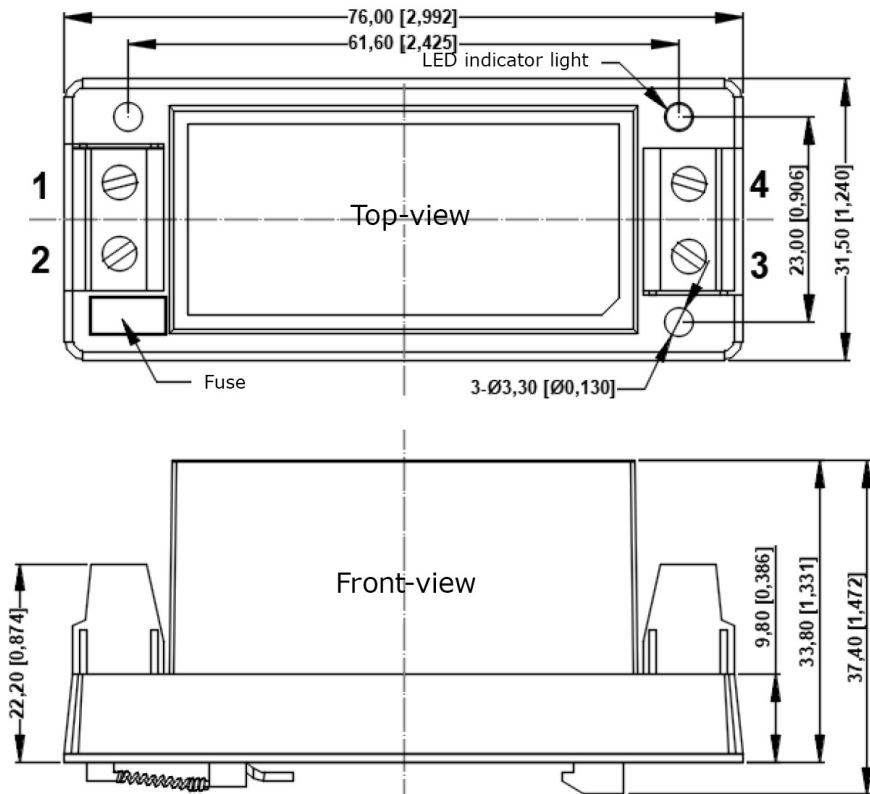
DIN-rail mount

units: mm [inch]

pin diameter tolerance: ± 0.10 [± 0.004]

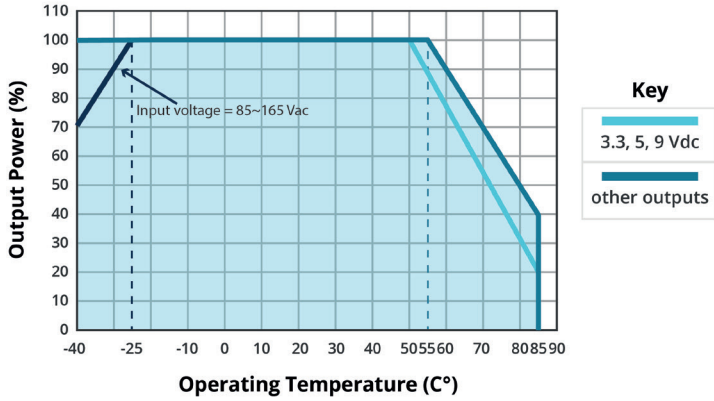
tolerance: ± 0.50 [± 0.020]

PIN CONNECTIONS	
PIN	Function
1	AC(L)
2	AC(N)
3	-Vo
4	+Vo

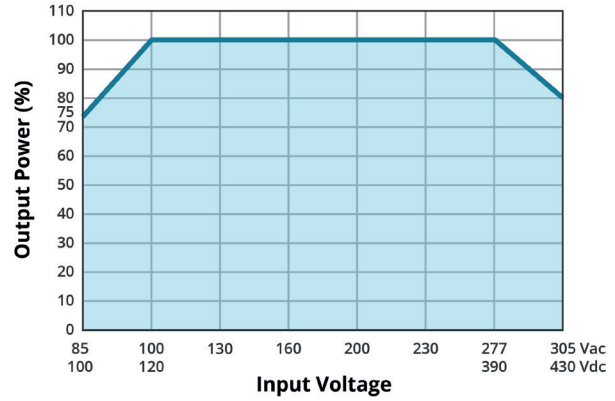


DERATING CURVE

TEMPERATURE DERATING CURVE
(Input voltage = 85 ~ 305 Vac)

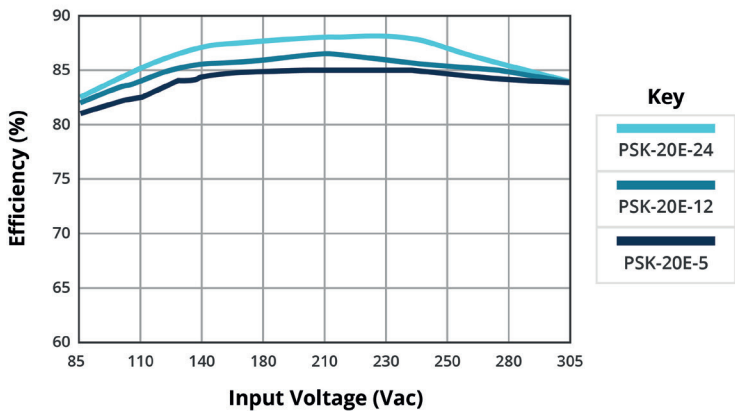


INPUT VOLTAGE DERATING CURVE
(at 25°C)

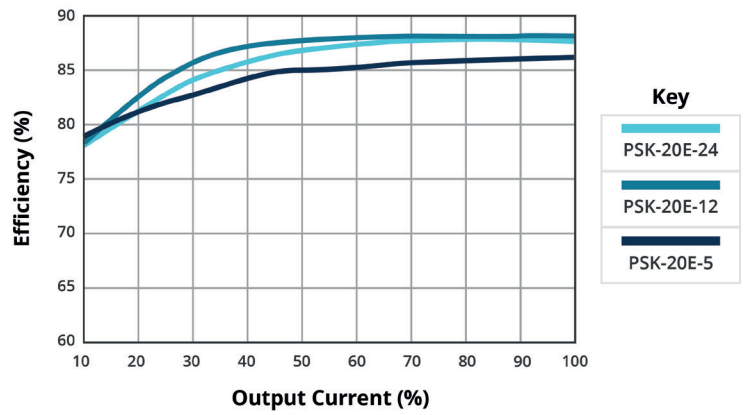


EFFICIENCY CURVES

EFFICIENCY VS INPUT VOLTAGE
(Full load)



EFFICIENCY VS OUTPUT LOAD
(Vin = 230 Vac)



APPLICATION DESIGN REFERENCE

Figure 1

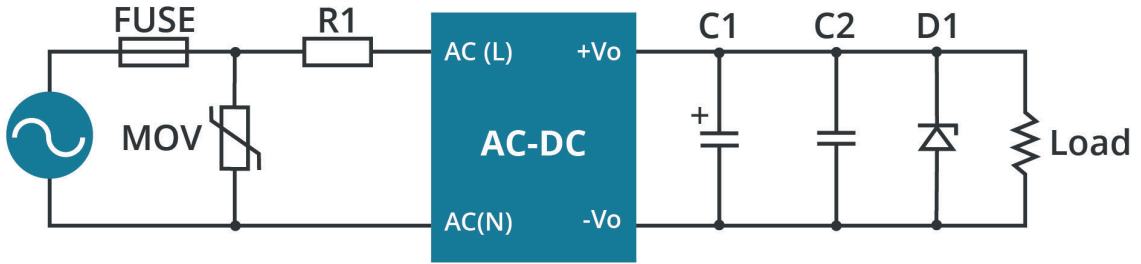


Table 1

Vout (Vdc)	FUSE	MOV	R1	C1 (μF/V)	C2 (μF/V)	D1
3.3, 5	3.15A/300V, slow-blow, required	14D561K	6.8Ω/3W (wire-wound resistor, required)	220 μF/16 V	1 μF/25 V	see note 2
9, 12				100 μF/25 V	1 μF/25 V	
15, 24				100 μF/35 V	1 μF/50 V	

- Notes:
1. Fuse and MOV should be selected based on application requirements and performance criteria.
 2. D1 is a TVS transistor that can protect the downstream circuit in case of module abnormalities. It is recommended to choose a model that is 1.2 times the output voltage.

EMC RECOMMENDED CIRCUIT

Figure 2

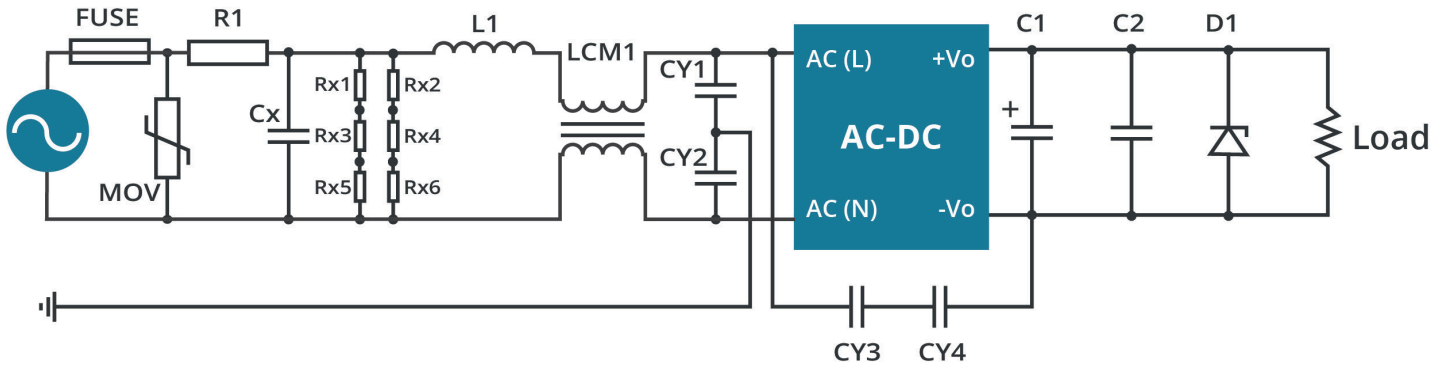


Table 2

Components	Recommended Value
FUSE	3.15A/300V, slow-blow, required
MOV	14D561K
R1	6.8Ω/3W (wire wound resistor, required)
Cx	0.33 μF/305 Vac
L1	1.2 mH/0.5 A
CY1, CY2	2.2 nF/400 Vac
CY3, CY4	1.0 nF/400 Vac
LCM	20 mH Common mode inductance
Rx1, Rx2, Rx3, Rx4, Rx5, Rx6	1.5 MΩ/1206

REVISION HISTORY

rev.	description	date
1.0	initial release	05/21/2025
1.01	chassis and DIN-rail mount added	01/19/2026

The revision history provided is for informational purposes only and is believed to be accurate.



15575 SW Sequoia Pkwy #100
Portland, OR 97224
800.275.4899

Fax 503.612.2383
Belfuse.com
powersupport@belf.com

CUI offers a two (2) year limited warranty. Complete warranty information is listed on our website.

CUI reserves the right to make changes to the product at any time without notice. Information provided by CUI is believed to be accurate and reliable. However, no responsibility is assumed by CUI for its use, nor for any infringements of patents or other rights of third parties which may result from its use.

CUI products are not authorized or warranted for use as critical components in equipment that requires an extremely high level of reliability. A critical component is any component of a life support device or system whose failure to perform can be reasonably expected to cause the failure of the life support device or system, or to affect its safety or effectiveness.