

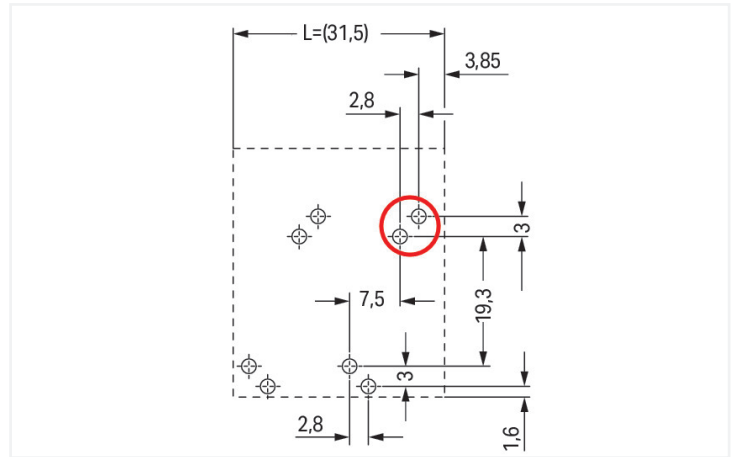
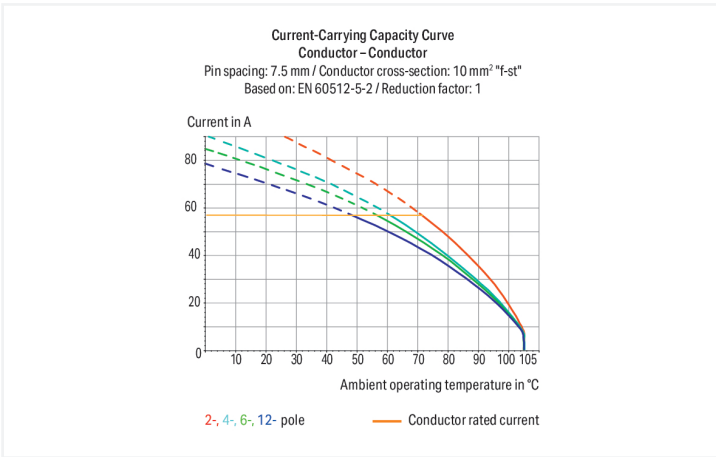
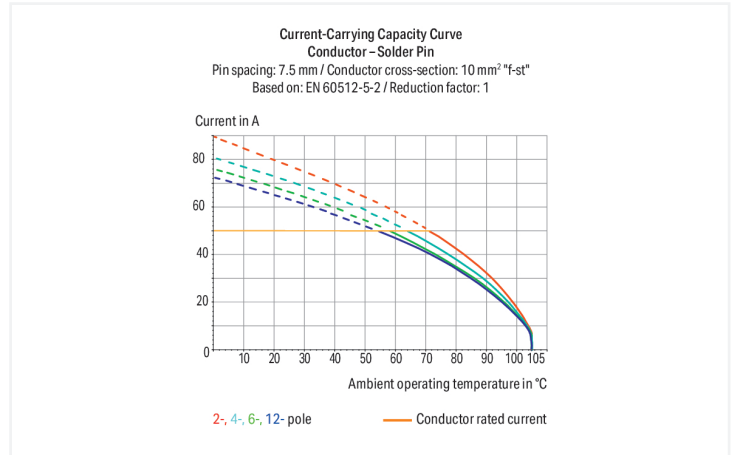
**Data Sheet | Item Number: 746-2305**

2-conductor PCB terminal block; 10 mm<sup>2</sup>; Pin spacing 7.5 mm; 5-pole; Push-in CA-GE CLAMP®; gray

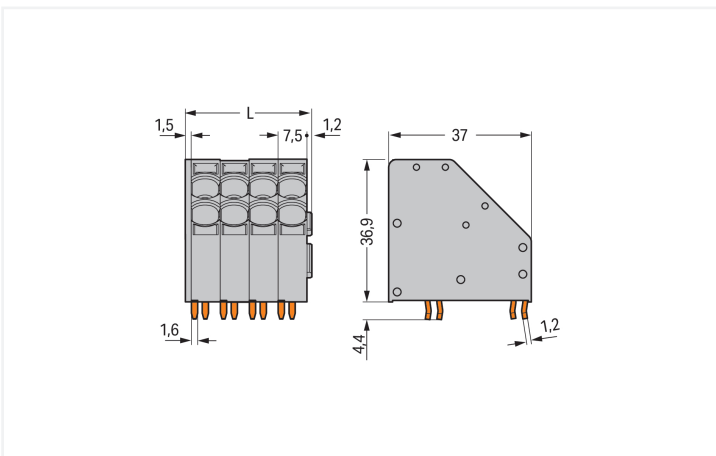
<https://www.wago.com/746-2305>



Color: ■ gray



Dimensions in mm  
 First solder pins, right rear (red circle)



Dimensions in mm  
 $L = (\text{pole no.} \times \text{pin spacing}) + 2.7 \text{ mm}$

PCB terminal block, 746 Series, operating tool

Our PCB terminal block (item number 746-2305) simplifies electrical installations. You can count on proven safety with these PCB terminal blocks, perfect for a host of applications when designing your devices. Ensure that the strip lengths are between 13 and 15 mm when connecting conductors to this PCB terminal block. This product incorporates one conductor terminal and utilizes Push-in CAGE CLAMP®. Push-in CAGE CLAMP® technology provides a universal connection solution for any type of conductor. It allows both solid and fine-stranded conductors with ferrules to be inserted directly into the clamping point without the need for tools. The item's dimensions are (40.2 x 41.3 x 37) mm (width x height x depth). This PCB terminal block is suitable for conductor cross sections ranging from 0.5 mm<sup>2</sup> to 10 mm<sup>2</sup>.

The contact surface is coated with tin. This PCB terminal block is operated with an operating tool. The PCB terminal block is designed for THT soldering. Insert the conductor into the board at an angle of 45°.

## Notes

<p>Variants:</p>	<p>Other pole numbers Other colors Mixed-color PCB connector strips Direct marking Other versions (or variants) can be requested from WAGO Sales or configured at <a href="https://configurator.wago.com/">https://configurator.wago.com/</a>.</p>
------------------	--

## Electrical data

Ratings per	IEC/EN 60664-1		
Overvoltage category	III	III	II
Pollution degree	3	2	2
Nominal voltage	800 V	1000 V	1000 V
Rated impulse withstand voltage	8 kV	8 kV	8 kV
Rated current	50 A	50 A	50 A

Approvals per	UL 1059		
Use group	B	C	D
Rated voltage	600 V	600 V	-
Rated current	50 A	50 A	-

Approvals per	CSA		
Use group	B	C	D
Rated voltage	600 V	600 V	-
Rated current	44 A	44 A	-

## Connection Data

Clamping units	10
Total number of potentials	5
Number of connection types	1
Number of levels	2

Connection 1	
Connection technology	Push-in CAGE CLAMP®
Actuation type	Operating tool
Solid conductor	0.5 ... 10 mm <sup>2</sup> / 20 ... 8 AWG
Fine-stranded conductor	0.5 ... 10 mm <sup>2</sup> / 20 ... 8 AWG
Fine-stranded conductor; with insulated ferrule	0.5 ... 6 mm <sup>2</sup>
Fine-stranded conductor; with uninsulated ferrule	0.5 ... 6 mm <sup>2</sup>
Strip length	13 ... 15 mm / 0.51 ... 0.59 inches
Conductor connection direction to PCB	45°
Pole number	5

### Physical data

Pin spacing	7.5 mm / 0.295 inches
Width	40.2 mm / 1.583 inches
Height	41.3 mm / 1.623 inches
Height from the surface	36.9 mm / 1.453 inches
Depth	37 mm / 1.457 inches
Solder pin length	4.4 mm
Solder pin dimensions	1.6 x 1.2 mm
Drilled hole diameter	2.2 <sup>(+0.1)</sup> mm

### PCB contact

PCB contact	THT
Solder pin arrangement	over the entire terminal strip (staggered)
Number of solder pins per potential	2

### Material data

Note (material data)	<a href="#">Information on material specifications can be found here</a>
Color	gray
Material group	I
Insulation material (main housing)	Polyamide (PA66)
Flammability class per UL94	V0
Clamping spring material	Chrome-nickel spring steel (CrNi)
Contact material	Electrolytic copper (E <sub>Cu</sub> )
Contact Plating	Tin
Fire load	0.602 MJ
Weight	39.8 g

### Environmental requirements

Limit temperature range	-60 ... +105 °C
-------------------------	-----------------

### Commercial data

Product Group	4 (Printed Circuit Connectors)
PU (SPU)	24 pcs
Packaging type	Box
Country of origin	PL
GTIN	4045454123260
Customs tariff number	85369010000

### Product Classification

UNSPSC	39121409
eCl@ss 10.0	27-44-04-01
eCl@ss 9.0	27-44-04-01
ETIM 9.0	EC002643
ETIM 10.0	EC002643
ECCN	NO US CLASSIFICATION

**Environmental Product Compliance**

RoHS Compliance Status	Compliant, No Exemption
------------------------	-------------------------

**Approvals / Certificates**

**General approvals** **Declarations of conformity and manufacturer's declarations**



Approval	Standard	Certificate Name
CCA DEKRA Certification B.V.	EN 60947	NTR NL-7099
CCA DEKRA Certification B.V.	EN 60947-7-4	71-111044
CSA DEKRA Certification B.V.	C22.2 No. 158	1604421
ENEC DEKRA Certification B.V.	EN 60947	2160584.17
UL Underwriters Laboratories Inc.	UL 1059	E45172

Approval	Standard	Certificate Name
EU-Declaration of Conformity WAGO GmbH & Co. KG	-	-
UK-Declaration of Conformity WAGO GmbH & Co. KG	-	-

**Downloads**

**Environmental Product Compliance**

Compliance Search
Environmental Product Compliance 746-2305 <a href="#">↓</a>

**Documentation**

Additional Information			
Technical Section	03.04.2019	pdf 2027.26 KB	<a href="#">↓</a>

**CAD/CAE-Data**

CAD data
2D/3D Models 746-2305 <a href="#">↓</a>

CAE data
EPLAN Data Portal 746-2305 <a href="#">↓</a>
ZUKEN Portal 746-2305 <a href="#">↓</a>

PCB Design	
Symbol and Footprint via SamacSys 746-2305	
Symbol and Footprint via Ultra Librarian 746-2305	

## 1 Compatible Products

### 1.1 Optional Accessories

#### 1.1.1 Marking

##### 1.1.1.1 Marker

<p><a href="#">Item No.: 2009-145/000-006</a> Mini-WSB Inline; for Smart Printer; 1700 pieces on roll; stretchable 5 - 5.2 mm; plain; snap-on type; blue</p>	<p><a href="#">Item No.: 2009-145/000-007</a> Mini-WSB Inline; for Smart Printer; 1700 pieces on roll; stretchable 5 - 5.2 mm; plain; snap-on type; gray</p>	<p><a href="#">Item No.: 2009-145/000-023</a> Mini-WSB Inline; for Smart Printer; 1700 pieces on roll; stretchable 5 - 5.2 mm; plain; snap-on type; green</p>	<p><a href="#">Item No.: 2009-145/000-012</a> Mini-WSB Inline; for Smart Printer; 1700 pieces on roll; stretchable 5 - 5.2 mm; plain; snap-on type; orange</p>
<p><a href="#">Item No.: 2009-145/000-005</a> Mini-WSB Inline; for Smart Printer; 1700 pieces on roll; stretchable 5 - 5.2 mm; plain; snap-on type; red</p>	<p><a href="#">Item No.: 2009-145/000-024</a> Mini-WSB Inline; for Smart Printer; 1700 pieces on roll; stretchable 5 - 5.2 mm; plain; snap-on type; violet</p>	<p><a href="#">Item No.: 2009-145</a> Mini-WSB Inline; for Smart Printer; 1700 pieces on roll; stretchable 5 - 5.2 mm; plain; snap-on type; white</p>	<p><a href="#">Item No.: 2009-145/000-002</a> Mini-WSB Inline; for Smart Printer; 1700 pieces on roll; stretchable 5 - 5.2 mm; plain; snap-on type; yellow</p>
<p><a href="#">Item No.: 248-501/000-006</a> Mini-WSB marking card; as card; not stretchable; plain; snap-on type; blue</p>	<p><a href="#">Item No.: 248-501/000-007</a> Mini-WSB marking card; as card; not stretchable; plain; snap-on type; gray</p>	<p><a href="#">Item No.: 248-501/000-023</a> Mini-WSB marking card; as card; not stretchable; plain; snap-on type; green</p>	<p><a href="#">Item No.: 248-501/000-017</a> Mini-WSB marking card; as card; not stretchable; plain; snap-on type; light green</p>
<p><a href="#">Item No.: 248-501/000-012</a> Mini-WSB marking card; as card; not stretchable; plain; snap-on type; orange</p>	<p><a href="#">Item No.: 248-501/000-005</a> Mini-WSB marking card; as card; not stretchable; plain; snap-on type; red</p>	<p><a href="#">Item No.: 248-501/000-024</a> Mini-WSB marking card; as card; not stretchable; plain; snap-on type; violet</p>	<p><a href="#">Item No.: 248-501</a> Mini-WSB marking card; as card; not stretchable; plain; snap-on type; white</p>
<p><a href="#">Item No.: 248-501/000-002</a> Mini-WSB marking card; as card; not stretchable; plain; snap-on type; yellow</p>	<p><a href="#">Item No.: 793-5501/000-006</a> WMB marking card; as card; for terminal block width 5 - 17.5 mm; stretchable 5 - 5.2 mm; plain; snap-on type; blue</p>	<p><a href="#">Item No.: 793-5501/000-007</a> WMB marking card; as card; for terminal block width 5 - 17.5 mm; stretchable 5 - 5.2 mm; plain; snap-on type; gray</p>	<p><a href="#">Item No.: 793-5501/000-023</a> WMB marking card; as card; for terminal block width 5 - 17.5 mm; stretchable 5 - 5.2 mm; plain; snap-on type; green</p>
<p><a href="#">Item No.: 793-5501/000-017</a> WMB marking card; as card; for terminal block width 5 - 17.5 mm; stretchable 5 - 5.2 mm; plain; snap-on type; light green</p>	<p><a href="#">Item No.: 793-5501/000-012</a> WMB marking card; as card; for terminal block width 5 - 17.5 mm; stretchable 5 - 5.2 mm; plain; snap-on type; orange</p>	<p><a href="#">Item No.: 793-5501/000-005</a> WMB marking card; as card; for terminal block width 5 - 17.5 mm; stretchable 5 - 5.2 mm; plain; snap-on type; red</p>	<p><a href="#">Item No.: 793-5501/000-024</a> WMB marking card; as card; for terminal block width 5 - 17.5 mm; stretchable 5 - 5.2 mm; plain; snap-on type; violet</p>
<p><a href="#">Item No.: 793-5501</a> WMB marking card; as card; for terminal block width 5 - 17.5 mm; stretchable 5 - 5.2 mm; plain; snap-on type; white</p>	<p><a href="#">Item No.: 793-5501/000-002</a> WMB marking card; as card; for terminal block width 5 - 17.5 mm; stretchable 5 - 5.2 mm; plain; snap-on type; yellow</p>	<p><a href="#">Item No.: 793-501/000-006</a> WMB marking card; as card; not stretchable; plain; snap-on type; blue</p>	<p><a href="#">Item No.: 793-501/000-007</a> WMB marking card; as card; not stretchable; plain; snap-on type; gray</p>
<p><a href="#">Item No.: 793-501/000-023</a> WMB marking card; as card; not stretchable; plain; snap-on type; green</p>	<p><a href="#">Item No.: 793-501/000-017</a> WMB marking card; as card; not stretchable; plain; snap-on type; light green</p>	<p><a href="#">Item No.: 793-501/000-012</a> WMB marking card; as card; not stretchable; plain; snap-on type; orange</p>	<p><a href="#">Item No.: 793-501/000-005</a> WMB marking card; as card; not stretchable; plain; snap-on type; red</p>
<p><a href="#">Item No.: 793-501/000-024</a> WMB marking card; as card; not stretchable; plain; snap-on type; violet</p>	<p><a href="#">Item No.: 793-501</a> WMB marking card; as card; not stretchable; plain; snap-on type; white</p>	<p><a href="#">Item No.: 793-501/000-002</a> WMB marking card; as card; not stretchable; plain; snap-on type; yellow</p>	<p><a href="#">Item No.: 2009-115/000-006</a> WMB-Inline; for Smart Printer; 1500 pieces on roll; stretchable 5 - 5.2 mm; plain; snap-on type; blue</p>

### 1.1.1.1 Marker



**Item No.: 2009-115/000-007**

WMB-Inline; for Smart Printer; 1500 pieces on roll; stretchable 5 - 5.2 mm; plain; snap-on type; gray



**Item No.: 2009-115/000-023**

WMB-Inline; for Smart Printer; 1500 pieces on roll; stretchable 5 - 5.2 mm; plain; snap-on type; green



**Item No.: 2009-115/000-017**

WMB-Inline; for Smart Printer; 1500 pieces on roll; stretchable 5 - 5.2 mm; plain; snap-on type; light green



**Item No.: 2009-115/000-012**

WMB-Inline; for Smart Printer; 1500 pieces on roll; stretchable 5 - 5.2 mm; plain; snap-on type; orange



**Item No.: 2009-115/000-024**

WMB-Inline; for Smart Printer; 1500 pieces on roll; stretchable 5 - 5.2 mm; plain; snap-on type; violet



**Item No.: 2009-115**

WMB-Inline; for Smart Printer; 1500 pieces on roll; stretchable 5 - 5.2 mm; plain; snap-on type; white



**Item No.: 2009-115/000-002**

WMB-Inline; for Smart Printer; 1500 pieces on roll; stretchable 5 - 5.2 mm; plain; snap-on type; yellow

### 1.1.1.2 Marking strip



**Item No.: 210-833**

Marking strips; 25 m on roll; 6 mm wide; plain; Self-adhesive; white



**Item No.: 210-332/750-020**

Marking strips; as a DIN A4 sheet; MARKED; 1-20 (80x); Height of marker strip: 3 mm; Strip length 182 mm; Horizontal marking; Self-adhesive; white

## 1.1.2 Test and measurement

### 1.1.2.1 Testing accessories



**Item No.: 210-136**

Test plug; 2 mm Ø; with 500 mm cable; red

## 1.1.3 Tool

### 1.1.3.1 Operating tool

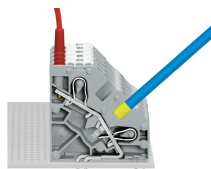


**Item No.: 210-721**

Operating tool; Blade: 5.5 x 0.8 mm; with a partially insulated shaft; multicoloured

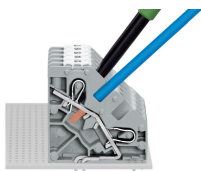
## Installation Notes

### Conductor termination



Inserting solid and ferruled conductors by simply pushing them into unit.  
Testing with 2 mm Ø test plug.

## Conductor termination



Inserting fine-stranded conductors via screwdriver (5.5 mm blade).