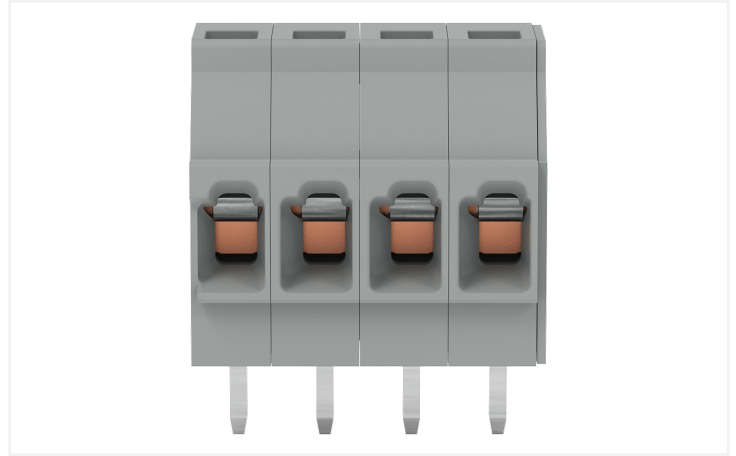
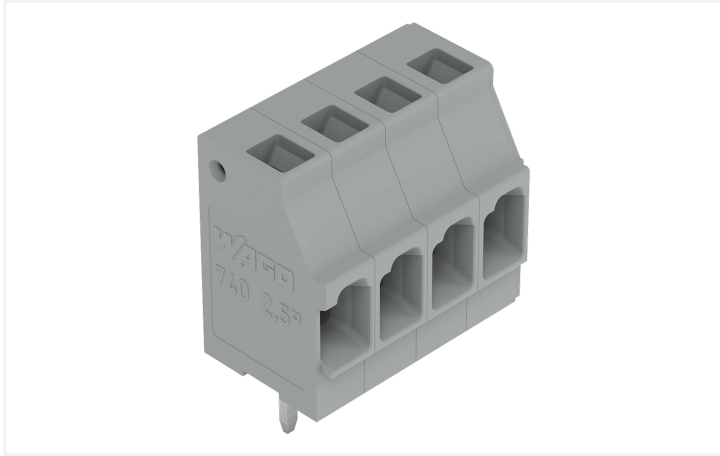


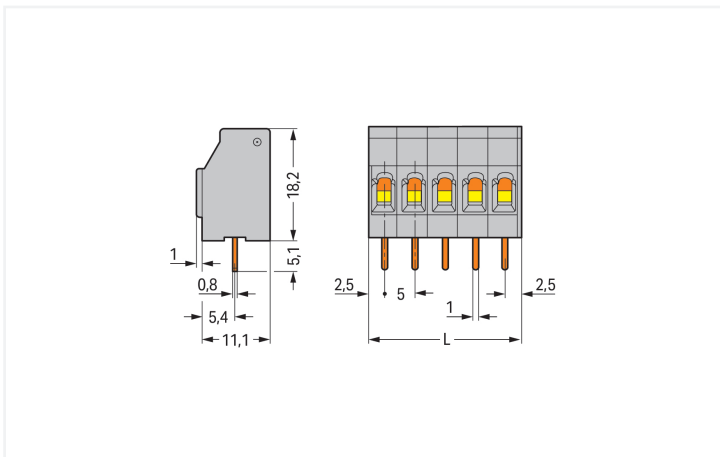
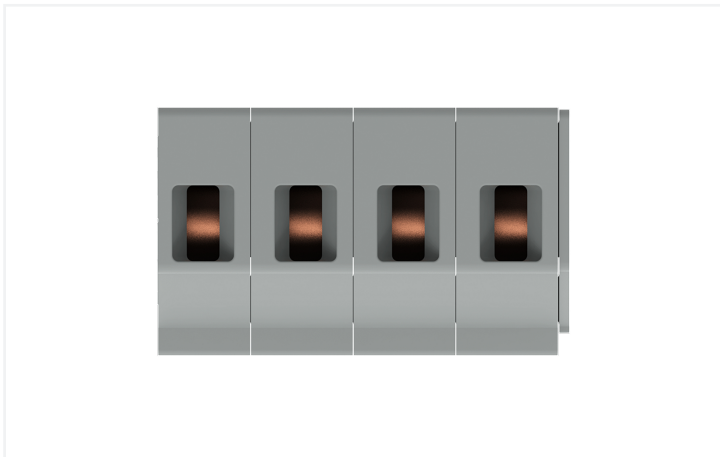
Data Sheet | Item Number: 740-104

PCB terminal block; 2.5 mm²; Pin spacing 5 mm; 4-pole; CAGE CLAMP®; gray

<https://www.wago.com/740-104>



Color: ■ gray



Dimensions in mm

L = pole no. x pin spacing

PCB terminal block, 740 Series, gray

Our PCB terminal block (item number 740-104) is designed for seamless electrical installations. It is a universal connector that can be used practically anywhere, for example, as a pluggable PCB connector, panel feedthrough header, connector for rail-mount terminal blocks, or a floating connector for different mounting methods. Strip lengths must be between 6 and 7 mm when connecting conductors to this PCB terminal block. This product features one conductor terminal and utilizes CAGE CLAMP®. Our renowned universal connection known as CAGE CLAMP® leads the way when it comes to connection technology and electrical inter-

connections. Dimensions: (20 x 23.3 x 11.1) mm (width x height x depth). Depending on the conductor type, this PCB terminal block is designed for conductor cross sections ranging from 0.08 mm² to 2.5 mm².

Tin is used for coating the contact surfaces. This PCB terminal block is operated with an operating tool. THT is used to assemble the PCB terminal block. Insert the conductor into the board at a 0° angle..

Notes

Variants:	Other pole numbers Other colors Mixed-color PCB connector strips Direct marking Other versions (or variants) can be requested from WAGO Sales or configured at https://configurator.wago.com/ .
-----------	----------------------------------------------------------------------------------------------------------------------------------------------------------------------------------------------------------------------------------------------------------

Electrical data

Ratings per	IEC/EN 60664-1			Approvals per	UL 1059		
Overvoltage category	III	III	II	Use group	B	C	D
Pollution degree	3	2	2	Rated voltage	300 V	-	300 V
Nominal voltage	300 V	320 V	630 V	Rated current	10 A	-	10 A
Rated impulse withstand voltage	4 kV	4 kV	4 kV				
Rated current	16 A	16 A	16 A				

Approvals per	CSA		
Use group	B	C	D
Rated voltage	300 V	-	300 V
Rated current	16 A	-	10 A

Connection Data

<table border="0"> <tr><td>Clamping units</td><td>4</td></tr> <tr><td>Total number of potentials</td><td>4</td></tr> <tr><td>Number of connection types</td><td>1</td></tr> <tr><td>Number of levels</td><td>1</td></tr> </table>	Clamping units	4	Total number of potentials	4	Number of connection types	1	Number of levels	1	<table border="0"> <thead> <tr> <th colspan="2">Connection 1</th> </tr> </thead> <tbody> <tr><td>Connection technology</td><td>CAGE CLAMP®</td></tr> <tr><td>Actuation type</td><td>Operating tool</td></tr> <tr><td>Solid conductor</td><td>0.08 ... 2.5 mm² / 28 ... 12 AWG</td></tr> <tr><td>Fine-stranded conductor</td><td>0.08 ... 2.5 mm² / 28 ... 12 AWG</td></tr> <tr><td>Fine-stranded conductor; with insulated ferrule</td><td>0.25 ... 1.5 mm²</td></tr> <tr><td>Fine-stranded conductor; with uninsulated ferrule</td><td>0.25 ... 1.5 mm²</td></tr> <tr><td>Note (conductor cross-section)</td><td>12 AWG: THHN, THWN</td></tr> <tr><td>Strip length</td><td>6 ... 7 mm / 0.24 ... 0.28 inches</td></tr> <tr><td>Conductor connection direction to PCB</td><td>0°</td></tr> <tr><td>Pole number</td><td>4</td></tr> </tbody> </table>	Connection 1		Connection technology	CAGE CLAMP®	Actuation type	Operating tool	Solid conductor	0.08 ... 2.5 mm ² / 28 ... 12 AWG	Fine-stranded conductor	0.08 ... 2.5 mm ² / 28 ... 12 AWG	Fine-stranded conductor; with insulated ferrule	0.25 ... 1.5 mm ²	Fine-stranded conductor; with uninsulated ferrule	0.25 ... 1.5 mm ²	Note (conductor cross-section)	12 AWG: THHN, THWN	Strip length	6 ... 7 mm / 0.24 ... 0.28 inches	Conductor connection direction to PCB	0°	Pole number	4
Clamping units	4																														
Total number of potentials	4																														
Number of connection types	1																														
Number of levels	1																														
Connection 1																															
Connection technology	CAGE CLAMP®																														
Actuation type	Operating tool																														
Solid conductor	0.08 ... 2.5 mm ² / 28 ... 12 AWG																														
Fine-stranded conductor	0.08 ... 2.5 mm ² / 28 ... 12 AWG																														
Fine-stranded conductor; with insulated ferrule	0.25 ... 1.5 mm ²																														
Fine-stranded conductor; with uninsulated ferrule	0.25 ... 1.5 mm ²																														
Note (conductor cross-section)	12 AWG: THHN, THWN																														
Strip length	6 ... 7 mm / 0.24 ... 0.28 inches																														
Conductor connection direction to PCB	0°																														
Pole number	4																														

Physical data

Pin spacing	5 mm / 0.197 inches
Width	20 mm / 0.787 inches
Height	23.3 mm / 0.917 inches
Height from the surface	18.2 mm / 0.717 inches
Depth	11.1 mm / 0.437 inches
Solder pin length	5.1 mm
Solder pin dimensions	0.8 x 1 mm
Drilled hole diameter	1.3 (+0.1) mm

PCB contact

PCB contact	THT
Solder pin arrangement	over the entire terminal strip (in-line)
Number of solder pins per potential	1

Material data

Note (material data)	Information on material specifications can be found here
Color	gray
Material group	I
Insulation material (main housing)	Polyamide (PA66)
Flammability class per UL94	V0
Clamping spring material	Chrome-nickel spring steel (CrNi)
Contact material	Electrolytic copper (E _{Cu})
Contact Plating	Tin
Fire load	0.073 MJ
Weight	5.5 g

Environmental requirements

Limit temperature range	-60 ... +105 °C
-------------------------	-----------------

Commercial data

Product Group	4 (Printed Circuit Connectors)
PU (SPU)	240 (60) pcs
Packaging type	Box
Country of origin	PL
GTIN	4055143260176
Customs tariff number	85369010000

Product Classification

UNSPSC	39121409
eCl@ss 10.0	27-44-04-01
eCl@ss 9.0	27-44-04-01
ETIM 9.0	EC002643
ETIM 10.0	EC002643
ECCN	NO US CLASSIFICATION

Environmental Product Compliance

RoHS Compliance Status	Compliant, No Exemption
------------------------	-------------------------

Approvals / Certificates

General approvals



General approvals

UR	UL 1059	E45172
Underwriters Laboratories Inc.		

Approval	Standard	Certificate Name
CCA DEKRA Certification B.V.	IEC 60947-7-4	2169331.10
CCA DEKRA Certification B.V.	IEC 60947-7-4	NTR NL-7298
CSA DEKRA Certification B.V.	C22.2 No. 158	1711139

Declarations of conformity and manufacturer's declarations

Approval	Standard	Certificate Name
EU-Declaration of Conformity WAGO GmbH & Co. KG	-	-
UK-Declaration of Conformity WAGO GmbH & Co. KG	-	-

Approvals for marine applications



Approval	Standard	Certificate Name
ABS American Bureau of Shipping	-	24-0095975-PDA
BV Bureau Veritas S.A.	IEC 60998	11915/E0 BV
DNV DNV GL SE	-	TAE000016Z

Downloads

Environmental Product Compliance

Compliance Search
Environmental Product Compliance 740-104 ↓

Documentation

Additional Information			
Technical Section	03.04.2019	pdf 2027.26 KB	↓

CAD/CAE-Data

CAD data
2D/3D Models 740-104 ↓

CAE data
EPLAN Data Portal 740-104 ↓
ZUKEN Portal 740-104 ↓

PCB Design

Symbol and Footprint via SamacSys 740-104 ↓
Symbol and Footprint via Ultra Librarian 740-104 ↓

1 Compatible Products

1.1 Optional Accessories

1.1.1 Ferrule

1.1.1.1 Ferrule



Item No.: 216-321
Ferrule; Sleeve for 0.25 mm² / AWG 24; insulated; electro-tin plated; yellow



Item No.: 216-131
Ferrule; Sleeve for 0.25 mm² / AWG 24; uninsulated; electro-tin plated; silver-colored



Item No.: 216-322
Ferrule; Sleeve for 0.34 mm² / 22 AWG; insulated; electro-tin plated; light turquoise



Item No.: 216-132
Ferrule; Sleeve for 0.34 mm² / 22 AWG; uninsulated; electro-tin plated



Item No.: 216-221
Ferrule; Sleeve for 0.5 mm² / 20 AWG; insulated; electro-tin plated; white



Item No.: 216-121
Ferrule; Sleeve for 0.5 mm² / AWG 22; uninsulated; electro-tin plated; silver-colored



Item No.: 216-222
Ferrule; Sleeve for 0.75 mm² / 18 AWG; insulated; electro-tin plated; gray



Item No.: 216-122
Ferrule; Sleeve for 0.75 mm² / 18 AWG; uninsulated; electro-tin plated; silver-colored



Item No.: 216-223
Ferrule; Sleeve for 1 mm² / AWG 18; insulated; electro-tin plated; red



Item No.: 216-123
Ferrule; Sleeve for 1 mm² / AWG 18; uninsulated; electro-tin plated; silver-colored



Item No.: 216-124
Ferrule; Sleeve for 1.5 mm² / AWG 16; uninsulated; electro-tin plated

1.1.2 Marking

1.1.2.1 Marking strip



Item No.: 210-332/500-202
Marking strips; as a DIN A4 sheet; MARKED; 1-16 (160x); Height of marker strip: 3 mm; Strip length 182 mm; Horizontal marking; Self-adhesive; white



Item No.: 210-332/500-205
Marking strips; as a DIN A4 sheet; MARKED; 1-32 (80x); Height of marker strip: 3 mm; Strip length 182 mm; Horizontal marking; Self-adhesive; white



Item No.: 210-332/500-204
Marking strips; as a DIN A4 sheet; MARKED; 17-32 (160x); Height of marker strip: 3 mm; Strip length 182 mm; Horizontal marking; Self-adhesive; white



Item No.: 210-332/500-206
Marking strips; as a DIN A4 sheet; MARKED; 33-48 (160x); Height of marker strip: 3 mm; Strip length 182 mm; Horizontal marking; Self-adhesive; white

1.1.3 Tool

1.1.3.1 Operating tool



Item No.: 210-658
Operating tool; Blade: 3.5 x 0.5 mm; with a partially insulated shaft; angled; short; multicoloured



Item No.: 210-720
Operating tool; Blade: 3.5 x 0.5 mm; with a partially insulated shaft; multicoloured



Item No.: 210-657
Operating tool; Blade: 3.5 x 0.5 mm; with a partially insulated shaft; short; multicoloured