

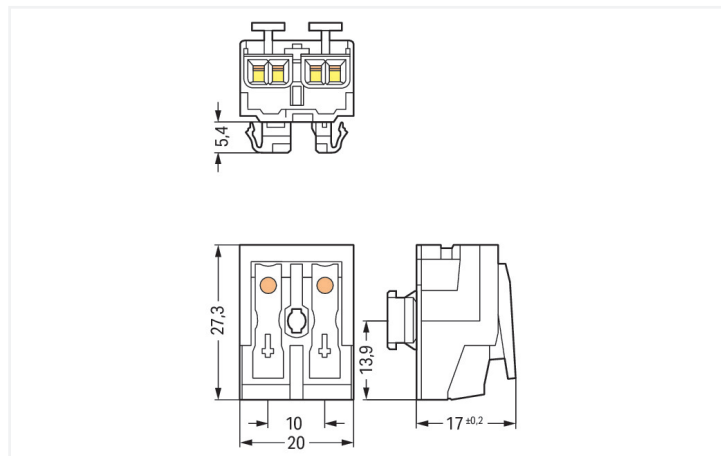
Data Sheet | Item Number: 294-8032

Lighting connector; push-button, external; for Linect®; without ground contact; 2-pole; Cod. I; Lighting side: for solid conductors; Inst. side: for all conductor types; max. 2.5 mm²; Surrounding air temperature: max 85°C (T85); white

<https://www.wago.com/294-8032>



Color: ■ white



Dimensions in mm

Field-wiring terminal block with linect[®], 294 Series, Push-in

Our field-wiring terminal block with linect[®] (item number 294-8032) ensures effortless electrical installations. Conductors can only be connected to field-wiring terminal block with linect[®] if their strip length is between 8 and 9 mm. This product features four conductor terminals and utilizes Push-in CAGE CLAMP[®] as well as PUSH WIRE[®]. Push-in CAGE CLAMP[®] technology provides a universal connection solution for any type of conductor. It allows both solid and fine-stranded conductors with ferrules to be inserted directly into the clamping point without the need for tools. Our PUSH WIRE[®] connection offers a quick and easy solution for connecting solid conductors. The dimensions are (20 x 22.4 x 27.3) mm (width x height x depth). Field-wiring terminal block with linect[®] is suitable for conductor cross sections ranging from 0.5 mm² to 2.5 mm² on one side and for conductor cross sections ranging from 0.5 mm² to 2.5 mm² on the other side as well as conductor cross sections from 0.5 mm² to 2.5 mm² and from 0.5 mm² to 0.75 mm² depending on the conductor type.

The contact surface is coated with tin.

Electrical data

Ratings	Connection points		
	IEC/EN 60998-1	IEC/EN 60998-1	IEC/EN 60998-1
Ratings per			
Overtoltage category	III	III	II
Pollution degree	3	2	2
Nominal voltage	-	-	500 V
Rated impulse withstand voltage	-	-	4 kV
Rated current	-	-	24 A

Ratings	Connection points		
	IEC/EN 60998-2-2	IEC/EN 60998-2-2	IEC/EN 60998-2-2
Ratings per			
Overtoltage category	III	III	II
Pollution degree	3	2	2
Nominal voltage	-	-	500 V
Rated impulse withstand voltage	-	-	4 kV
Rated current	-	-	24 A

Ratings	Linect [®] plug-in connection		
	IEC/EN 61984	IEC/EN 61984	IEC/EN 61984
Ratings per			
Overtoltage category	III	III	II
Pollution degree	3	2	2
Nominal voltage	-	-	500 V
Rated impulse withstand voltage	-	-	4 kV
Rated current	-	-	16 A

Connection Data

Total number of potentials	2
Number of connection types	4

Connection 1

Connection type	External 1
Connection technology	Push-in CAGE CLAMP®
Number of connection points	2
Actuation type	Push-button
Solid conductor	0.5 ... 2.5 mm ² / 18 ... 12 AWG
Solid conductor; push-in termination	0.5 ... 2.5 mm ² / 18 ... 12 AWG
Stranded conductor	0.5 ... 2.5 mm ² / 18 ... 14 AWG
Fine-stranded conductor	0.5 ... 2.5 mm ² / 18 ... 14 AWG
Fine-stranded conductor; with insulated ferrule	0.5 ... 1.5 mm ² / 18 ... 16 AWG
Fine-stranded conductor; with uninsulated ferrule	0.5 ... 1.5 mm ² / 18 ... 16 AWG
Fine-stranded conductor; with ferrule; push-in termination	0.5 mm ² / 18 AWG
Strip length	8 ... 9 mm / 0.31 ... 0.35 inches
Pole number	2

Connection 2

Connection type	Internal 2
Connection technology	PUSH WIRE®
Number of connection points	1
Actuation type	Push-in
Solid conductor	0.5 ... 2.5 mm ² / 18 ... 14 AWG
Fine-stranded conductor; with insulated ferrule	0.5 ... 1 mm ² / 18 ... 14 AWG
Fine-stranded conductor; with uninsulated ferrule	0.5 ... 1.5 mm ² / 18 ... 16 AWG
Strip length	8 ... 9 mm / 0.31 ... 0.35 inches

Connection 3

Connection type	Internal 3
Connection technology	PUSH WIRE®
Number of connection points	1
Actuation type	Push-in
Solid conductor	0.5 ... 1.5 mm ² / 18 ... 16 AWG
Fine-stranded conductor; with insulated ferrule	0.5 ... 0.75 mm ² / 18 AWG
Fine-stranded conductor; with uninsulated ferrule	0.5 ... 1 mm ² / 18 ... 14 AWG
Strip length	8 ... 9 mm / 0.31 ... 0.35 inches

Connection 4

Connection type	Internal 4
Connection technology	PUSH WIRE®
Number of connection points	1
Actuation type	Push-in
Solid conductor	0.5 ... 0.75 mm ² / 18 AWG
Strip length	8 ... 9 mm / 0.31 ... 0.35 inches

Physical data

Pin spacing	10 mm / 0.394 inches
Width	20 mm / 0.787 inches
Height	22.4 mm / 0.882 inches
Height from the surface	17 mm / 0.669 inches
Depth	27.3 mm / 1.075 inches

Mechanical data

Technology	Linect
Marking	DA- DA+

Material data

Note (material data)	Information on material specifications can be found here
Color	white
Material group	IIIa
Insulation material (main housing)	Polycarbonate (PC)
Flammability class per UL94	V0
Clamping spring material	Chrome-nickel spring steel (CrNi)
Contact material	Electrolytic copper (E _{Cu})
Contact Plating	Tin
Fire load	0.103 MJ
Weight	6.5 g

Environmental requirements

Temperature stability	120 °C
T marking	T85

Commercial data

Product Group	8 (Misc. Chassis Mount Blocks)
PU (SPU)	500 pcs
Packaging type	Foil
Country of origin	CH
GTIN	4050821305064
Customs tariff number	85369010000

Product Classification

UNSPSC	39121409
eCl@ss 10.0	27-14-11-06
eCl@ss 9.0	27-14-11-06
ETIM 9.0	EC001284
ETIM 10.0	EC001284
ECCN	NO US CLASSIFICATION

Environmental Product Compliance

RoHS Compliance Status	Compliant, No Exemption
SCIP notification number (Austria)	206d856a-6a60-48ba-841c-e8e0ba9a7262
SCIP notification number (Belgium)	9684f14e-383d-4f42-8d8a-baf37f3ca901
SCIP notification number (Bulgaria)	57abe15e-73d1-4620-9550-e859591a31f3
SCIP notification number (Czech Republic)	8f558e43-0ab6-4ac9-a96d-712b5ed74d39
SCIP notification number (Denmark)	cc3230c5-6a7b-4380-815b-ed1ae45c817a
SCIP notification number (Finland)	eda7300d-b57a-4486-b146-eb7e00e3161b
SCIP notification number (France)	dac7375d-4b47-45fc-bb8e-f9e84216c6dc
SCIP notification number (Germany)	16a7c502-cbc3-4656-8aa7-6faebdf8c595
SCIP notification number (Hungary)	feddb47e-4bf2-451f-afe1-df588a01a14b
SCIP notification number (Italy)	91142666-51ec-4d4c-9be1-c548f2a418b2
SCIP notification number (Netherlands)	aac0b2d4-8fdc-490f-a99a-193bcece0987
SCIP notification number (Poland)	aa050480-1dd4-4a1a-a3ba-dc81c39adc98
SCIP notification number (Romania)	eaab1193-afa4-4dd0-8cbb-0d778f872925
SCIP notification number (Sweden)	bd70d498-4fa8-4cf3-9510-361c7d80d24a

Approvals / Certificates

General approvals



Approval	Standard	Certificate Name
ENEC 05 DEKRA Certification B.V.	EN 60998	2128791.01
VDE VDE Prüf- und Zertifizierungsinstitut	EN 61535	40029808

Declarations of conformity and manufacturer's declarations

Approval	Standard	Certificate Name
EU-Declaration of Conformity WAGO GmbH & Co. KG	-	-
UK-Declaration of Conformity WAGO GmbH & Co. KG	-	-

Downloads

Environmental Product Compliance

Compliance Search

Environmental Product Compliance 294-8032	↓
---	---

Documentation

Additional Information

Technical Section	03.04.2019	pdf 2027.26 KB	↓
-------------------	------------	-------------------	---

CAD/CAE-Data

CAD data

2D/3D Models 294-8032	↓
-----------------------	---

CAE data

ZUKEN Portal 294-8032	↓
-----------------------	---