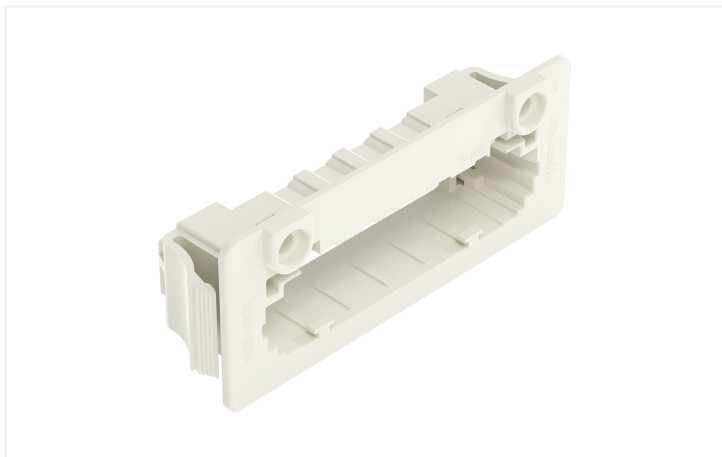


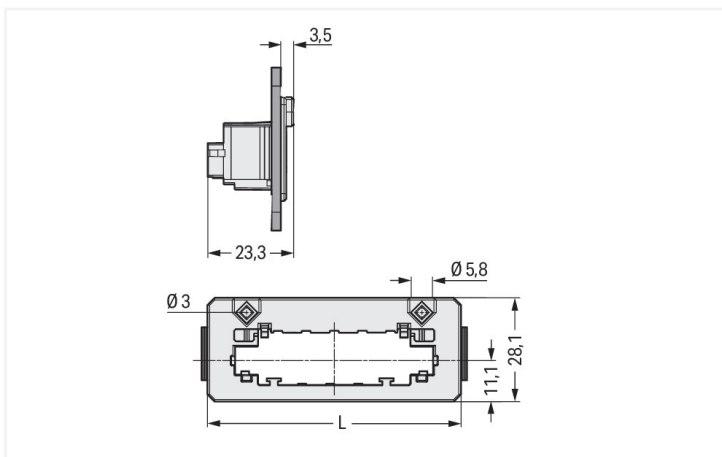
Data Sheet | Item Number: 831-305

Snap-in frame; for male connectors; 1 part; Pin spacing 7.62 mm; 5-pole; light gray

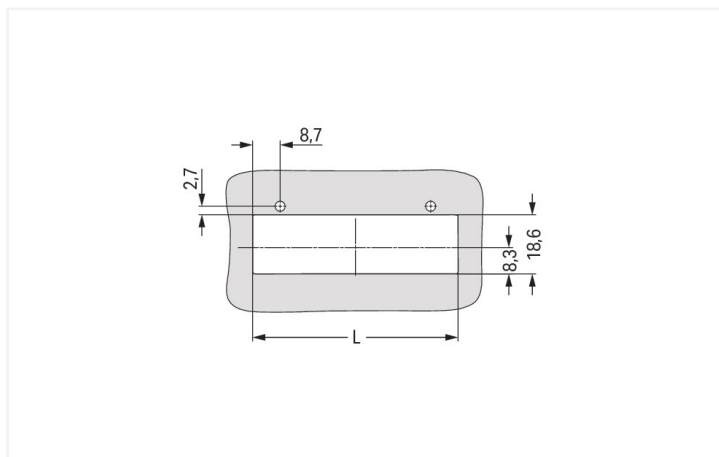
<https://www.wago.com/831-305>



Color: ■ light gray



Dimensions in mm
 $L = (\text{pole no.} \times 7.62 \text{ mm}) + 30.6 \text{ mm}$



Dimensions in mm
Panel cutout for snap-in frame $L = (\text{pole no.} \times 7.62 \text{ mm}) + 26.8 \text{ mm}$

- Snap-in frames for through-panel MCS MAXI connectors
- Fast and easy installation – without tools
- Compatible with MCS MAXI male and female connectors
- For panel thickness ranging from 0.5 to 2.5 mm
- Optional screw mounting

Connection Data

Connection 1

Pole number	5
-------------	---

Physical data

Width	68.7 mm / 2.705 inches
Height	28.1 mm / 1.106 inches
Depth	23.3 mm / 0.917 inches

Mechanical data

Housing sheet thickness	0.5 ... 2.5 mm / 0.02 ... 0.098 inches
Mounting type	Snap-in flange
Mounting type	Feed-through mounting
Suitable for through-panel applications	Yes

Plug-in connection

Mismating protection	Yes
----------------------	-----

Material data

Note (material data)	Information on material specifications can be found here
Color	light gray
Material group	I
Insulation material (main housing)	Polyamide (PA66)
Flammability class per UL94	V0
Fire load	0.196 MJ
Weight	7.2 g

Commercial data

PU (SPU)	12 pcs
Packaging type	Box
Country of origin	DE
GTIN	4055143564915
Customs tariff number	39269097900

Product Classification

UNSPSC	39121421
ETIM 9.0	EC002848
ETIM 10.0	EC002848
ECCN	NO US CLASSIFICATION

Environmental Product Compliance

RoHS Compliance Status	Compliant, No Exemption
------------------------	-------------------------

Downloads

Environmental Product Compliance

Compliance Search			
Environmental Product Compliance 831-305			↓

Documentation

Additional Information			
Technical Section	03.04.2019	pdf 2027.26 KB	↓

CAD/CAE-Data

CAD data			
2D/3D Models 831-305			↓

CAE data			
ZUKEN Portal 831-305			↓

1 Compatible Products

1.1 Optional Accessories

1.1.1 Cover

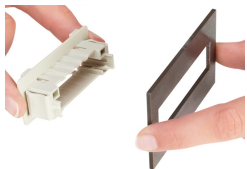
1.1.1.1 Snap-in frame



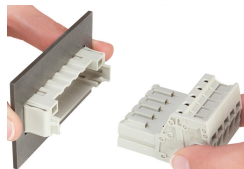
Item No.: 831-321
 Lockout pin; for male connectors; 2 parts; light gray

Installation Notes

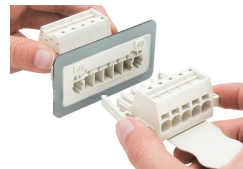
Installation



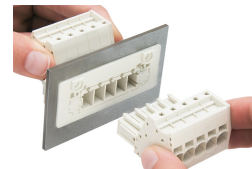
Insert the snap-in frame into the cutout.



Insert the male connector into the snap-in frame.



Inserting a female connector equipped with lateral locking levers.



Inserting a female connector without lateral locking levers – lockout pins are inserted on both sides of the snap-in frame.