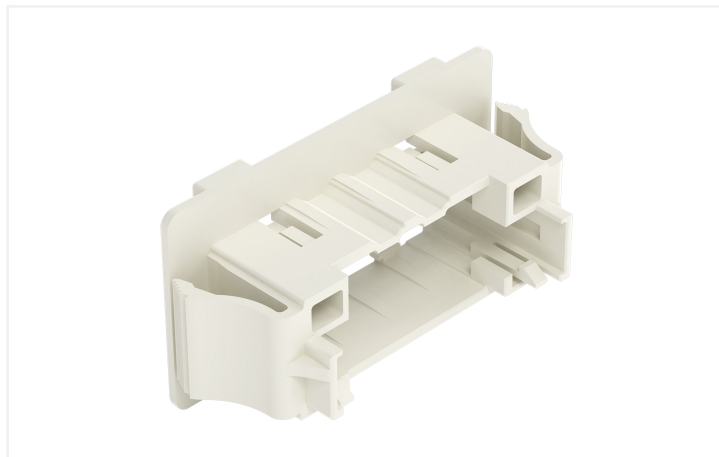
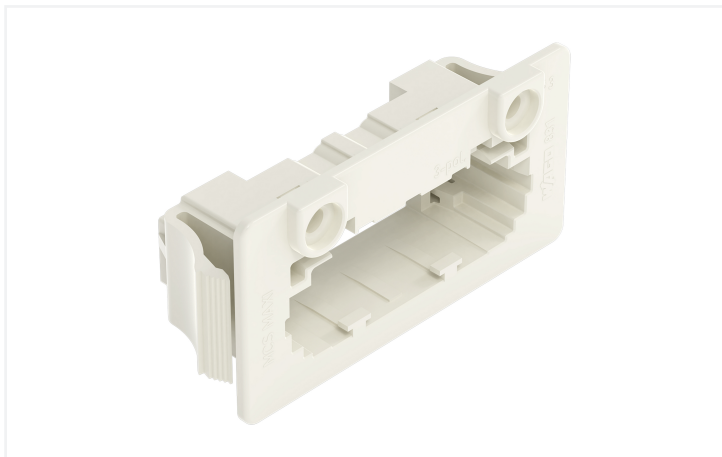


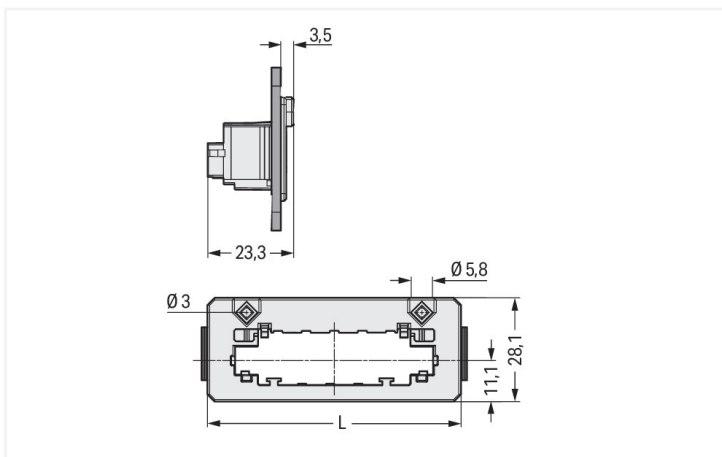
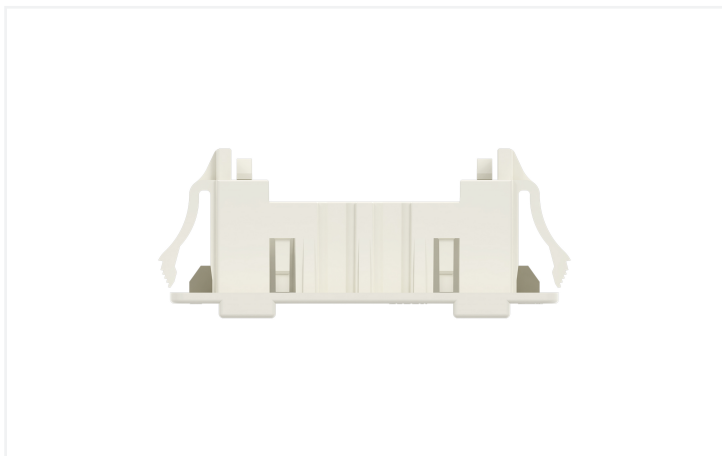
Data Sheet | Item Number: 831-303

Snap-in frame; for male connectors; 1 part; Pin spacing 7.62 mm; 3-pole; light gray

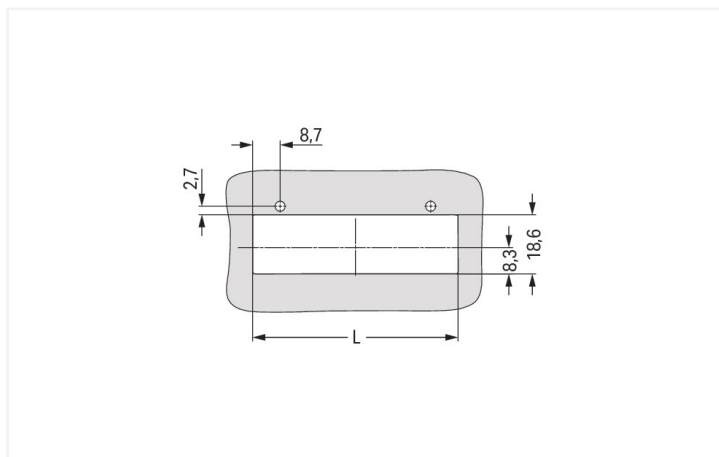
<https://www.wago.com/831-303>



Color: ■ light gray



Dimensions in mm
 $L = (\text{pole no.} \times 7.62 \text{ mm}) + 30.6 \text{ mm}$



Dimensions in mm
Panel cutout for snap-in frame $L = (\text{pole no.} \times 7.62 \text{ mm}) + 26.8 \text{ mm}$

- Snap-in frames for through-panel MCS MAXI connectors
- Fast and easy installation – without tools
- Compatible with MCS MAXI male and female connectors
- For panel thickness ranging from 0.5 to 2.5 mm
- Optional screw mounting

Connection Data

Connection 1

| | |
|-------------|---|
| Pole number | 3 |
|-------------|---|

Physical data

| | |
|--------|-------------------------|
| Width | 53.46 mm / 2.105 inches |
| Height | 28.1 mm / 1.106 inches |
| Depth | 23.3 mm / 0.917 inches |

Mechanical data

| | |
|---|--|
| Housing sheet thickness | 0.5 ... 2.5 mm / 0.02 ... 0.098 inches |
| Mounting type | Snap-in flange |
| Mounting type | Feed-through mounting |
| Suitable for through-panel applications | Yes |

Plug-in connection

| | |
|----------------------|-----|
| Mismating protection | Yes |
|----------------------|-----|

Material data

| | |
|------------------------------------|--|
| Note (material data) | Information on material specifications can be found here |
| Color | light gray |
| Material group | I |
| Insulation material (main housing) | Polyamide (PA66) |
| Flammability class per UL94 | V0 |
| Fire load | 0.17 MJ |
| Weight | 6.3 g |

Commercial data

| | |
|-----------------------|---------------|
| PU (SPU) | 48 pcs |
| Packaging type | Box |
| Country of origin | DE |
| GTIN | 4055143564854 |
| Customs tariff number | 39269097900 |

Product Classification

| | |
|-------------|----------------------|
| UNSPSC | 39121421 |
| eCl@ss 10.0 | 27-14-11-92 |
| eCl@ss 9.0 | 27-14-11-92 |
| ETIM 9.0 | EC002848 |
| ETIM 10.0 | EC002848 |
| ECCN | NO US CLASSIFICATION |

Environmental Product Compliance

RoHS Compliance Status

Compliant, No Exemption

Downloads

Environmental Product Compliance

Compliance Search

Environmental Product Compliance 831-303



Documentation

Additional Information

Technical Section

03.04.2019

pdf
2027.26 KB



CAD/CAE-Data

CAD data

2D/3D Models 831-303



CAE data

ZUKEN Portal 831-303



1 Compatible Products

1.1 Optional Accessories

1.1.1 Cover

1.1.1.1 Snap-in frame

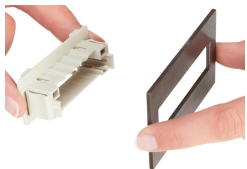


Item No.: 831-321

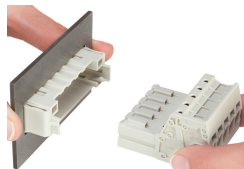
Lockout pin; for male connectors; 2 parts; light gray

Installation Notes

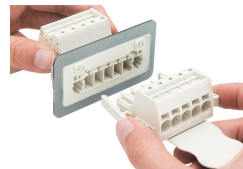
Installation



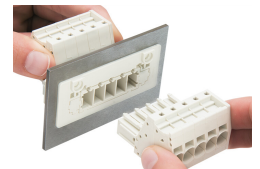
Insert the snap-in frame into the cutout.



Insert the male connector into the snap-in frame.



Inserting a female connector equipped with lateral locking levers.



Inserting a female connector without lateral locking levers – lockout pins are inserted on both sides of the snap-in frame.