

Highland Centrifugal AC Fan

Part Number: HIG-C175RP115H09I54L

Features:

Size (mm): 175Øx69

Maintenance-Free Ball Bearings

Plastic Impeller

Insulation Class B, IP54

Thermally Protected (Auto Restart)

115 VAC



## Product Description

Highland  $\phi$ 175mm Round 69mm Thick Centrifugal Fan with Plastic Impeller, 115 VAC, High Speed, AC Induction Capacitor Motor, IP54 Protection with Lead Wires

## General Specification

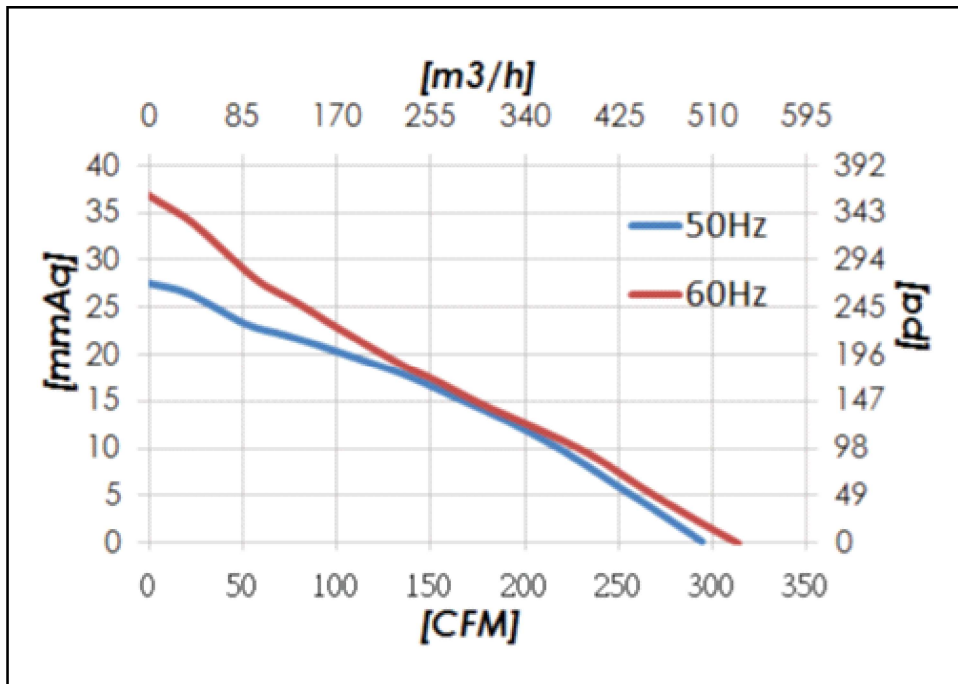
Fan Type	Centrifugal
Operating Voltage	230 VAC
Input Power (W)	53/63
Hz	50/60
Speed (RPM)	2600/2900
Airflow - CFM	294/313
Airflow - cubic m <sup>3</sup> /hr	499.509/531.79
Airflow - m <sup>3</sup> /s	8.325/8.863
Pressure - mmH <sup>2</sup> O	28/37
Pressure - inchH <sup>2</sup> O	1.102/1.457
Pressure - Pa	274.587/362.847
Noise dB	66/68
Operating Temperature	-20°C to +70°C
Expected Life (H)	70K @ 25 / 45K @ 40 Degrees Centigrade
Weight (g)	870
Tariff Code	8414.59.6590

## Mechanical Specifications

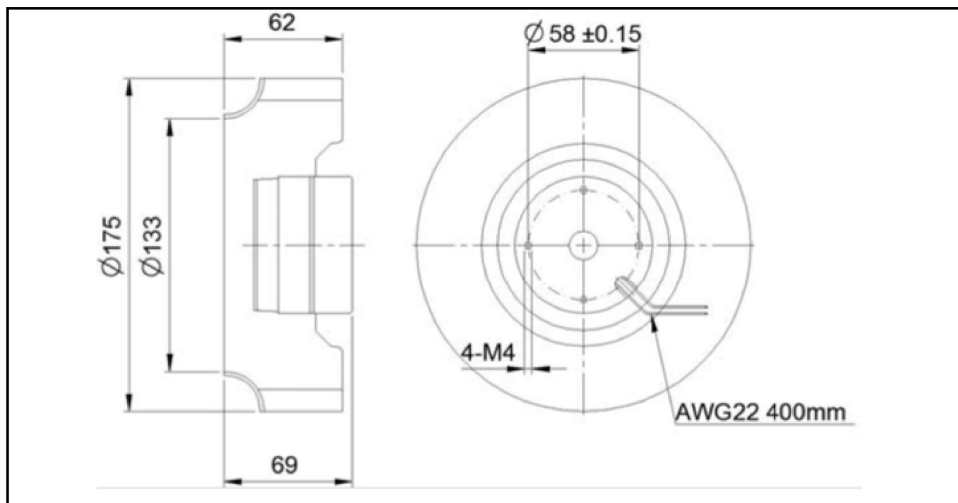
Fan Size	175 $\phi$ x69
Frame Material	Aluminium
Impeller	Plastic Impeller

## Approvals and Certificates

Approvals	CE	Y
	TUV	Y
	RoSH	Y
	UL	Y



**Dimensional Drawing (mm)**



**Centrifugal Fan**

**HIGHLAND**

**Similar Products**

Product	Size	Impeller Material	Speed	Noise	Weight
HIG-C175RP230H09I54L	175Øx69	Plastic Impeller	2600/2900	66/68	870
N/A					
N/A					
N/A					
N/A					

## Finger Guard Accessory's

Product	Guard Type	Fan Size	Weight (g)
N/A			
N/A			
N/A			

## Additional Information

Box Quantity:	8
Weight Per Box:	6.96 KG
Size Per Box:	42×43×19