

Highland Centrifugal AC Fan

Part Number: HIG-C133RP230S05I54L

Features:

Size (mm): 133Øx80

Maintenance-Free Ball Bearings

Plastic Impeller

Insulation Class B, IP54

Thermally Protected (Auto Restart)

230 VAC



Product Description

Highland ϕ 133mm Round 80mm Thick Centrifugal Fan with Plastic Impeller, 230 VAC, Super Speed, AC Induction Capacitor Motor, IP54 Protection with Lead Wires

General Specification

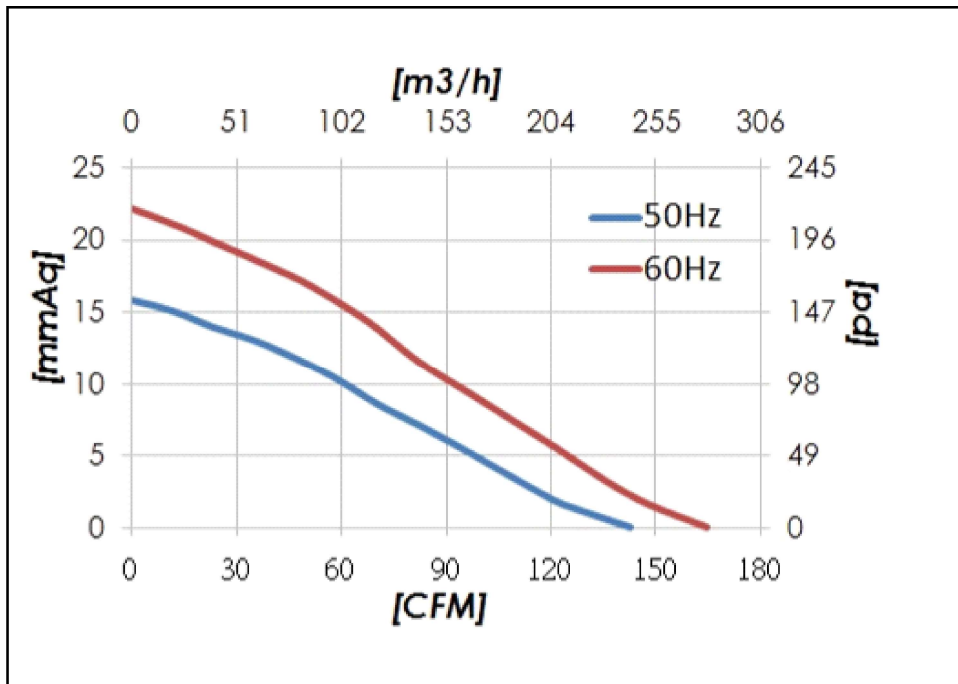
Fan Type	Centrifugal
Operating Voltage	230 VAC
Input Power (W)	23/27
Hz	50/60
Speed (RPM)	2800/3200
Airflow - CFM	145/165
Airflow - cubic m ³ /hr	246.357/280.337
Airflow - m ³ /s	4.106/4.672
Pressure - mmH ² O	15/21
Pressure - inchH ² O	0.591/0.827
Pressure - Pa	147.1/205.94
Noise dB	62/65
Operating Temperature	-20°C to +70°C
Expected Life (H)	70K @ 25 / 45K @ 40 Degrees Centigrade
Weight (g)	800
Tariff Code	8414.59.6590

Mechanical Specifications

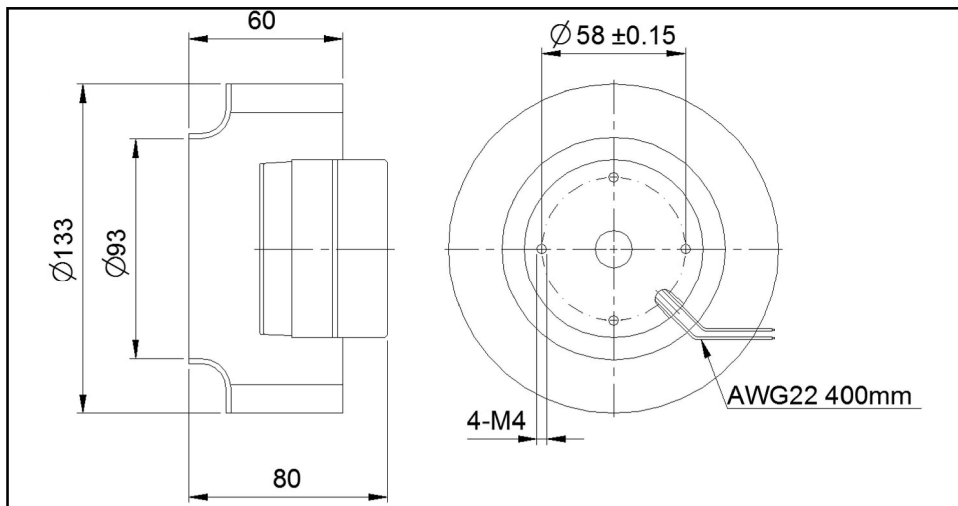
Fan Size	133 ϕ x80
Frame Material	Aluminium
Impeller	Plastic Impeller

Approvals and Certificates

Approvals	CE	Y
	TUV	Y
	RoSH	Y
	UL	Y



Dimensional Drawing (mm)



Centrifugal Fan

HIGHLAND

Similar Products

Product	Size	Impeller Material	Speed	Noise	Weight
HIG-C133RP115S05I54L	133 \varnothing x80	Plastic Impeller	2800/3200	62/65	800
N/A					
N/A					
N/A					
N/A					

Finger Guard Accessory's

Product	Guard Type	Fan Size	Weight (g)
N/A			
N/A			
N/A			

Additional Information

Box Quantity:	10
Weight Per Box:	8 KG
Size Per Box:	41×39×21