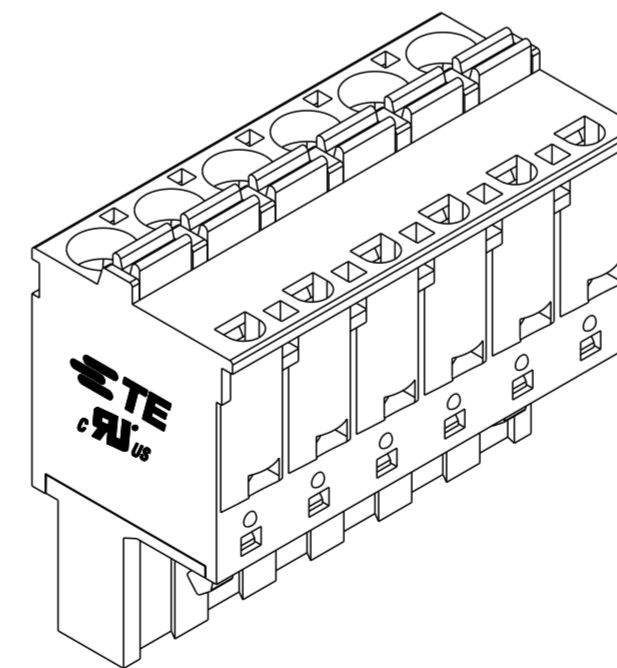
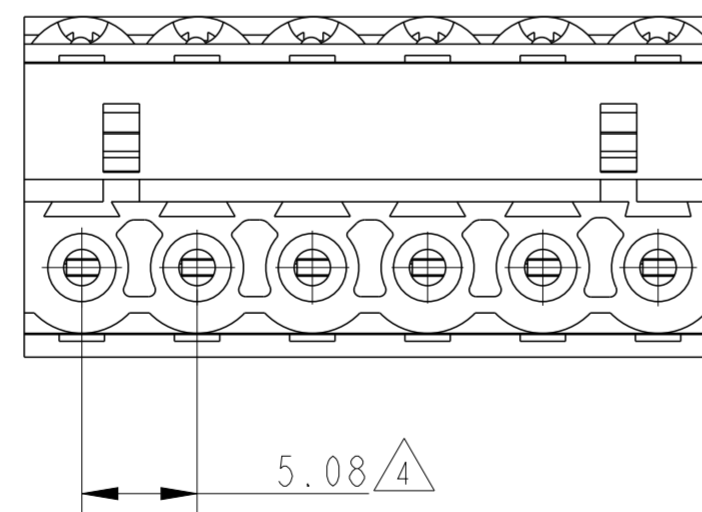
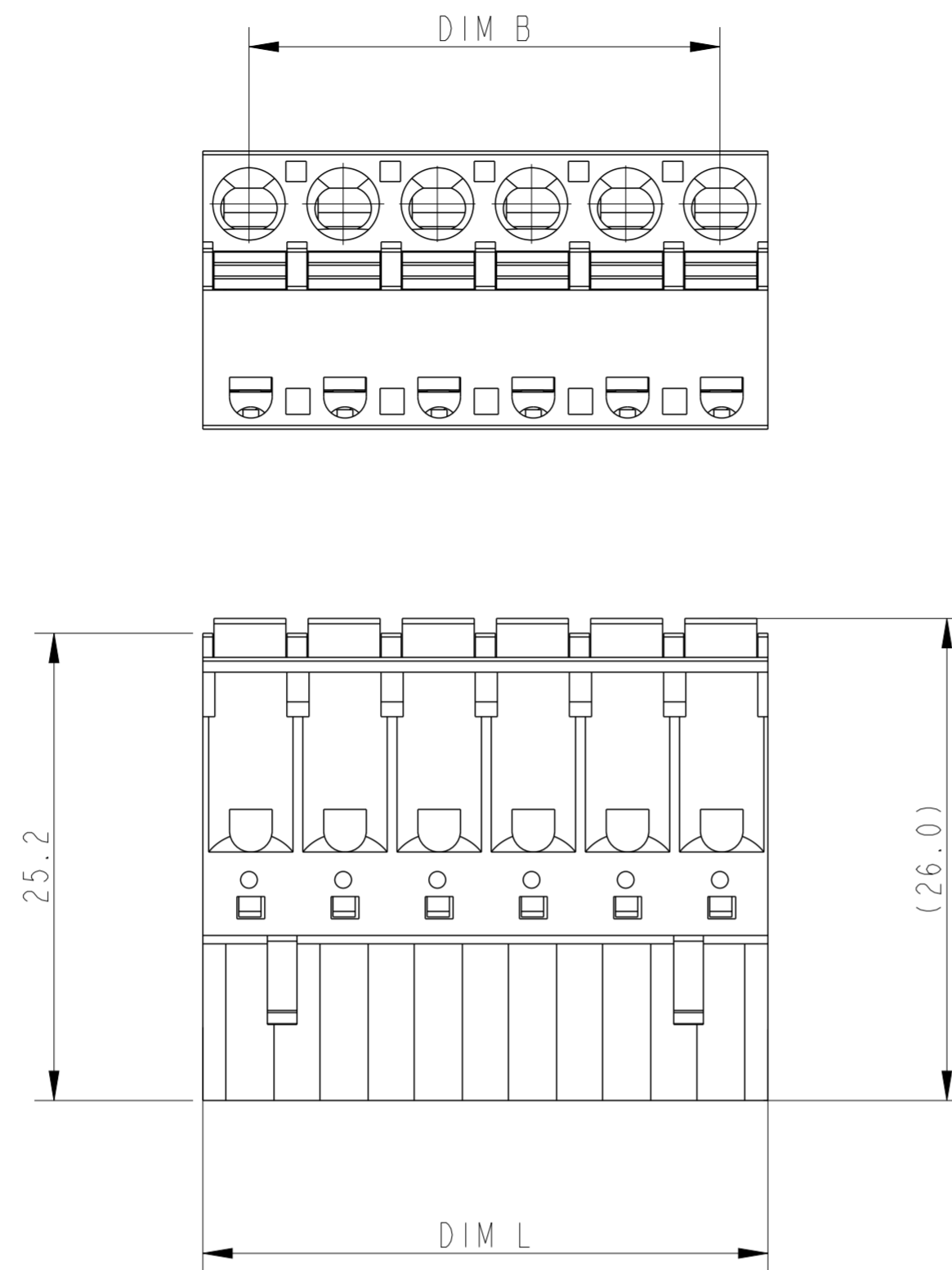
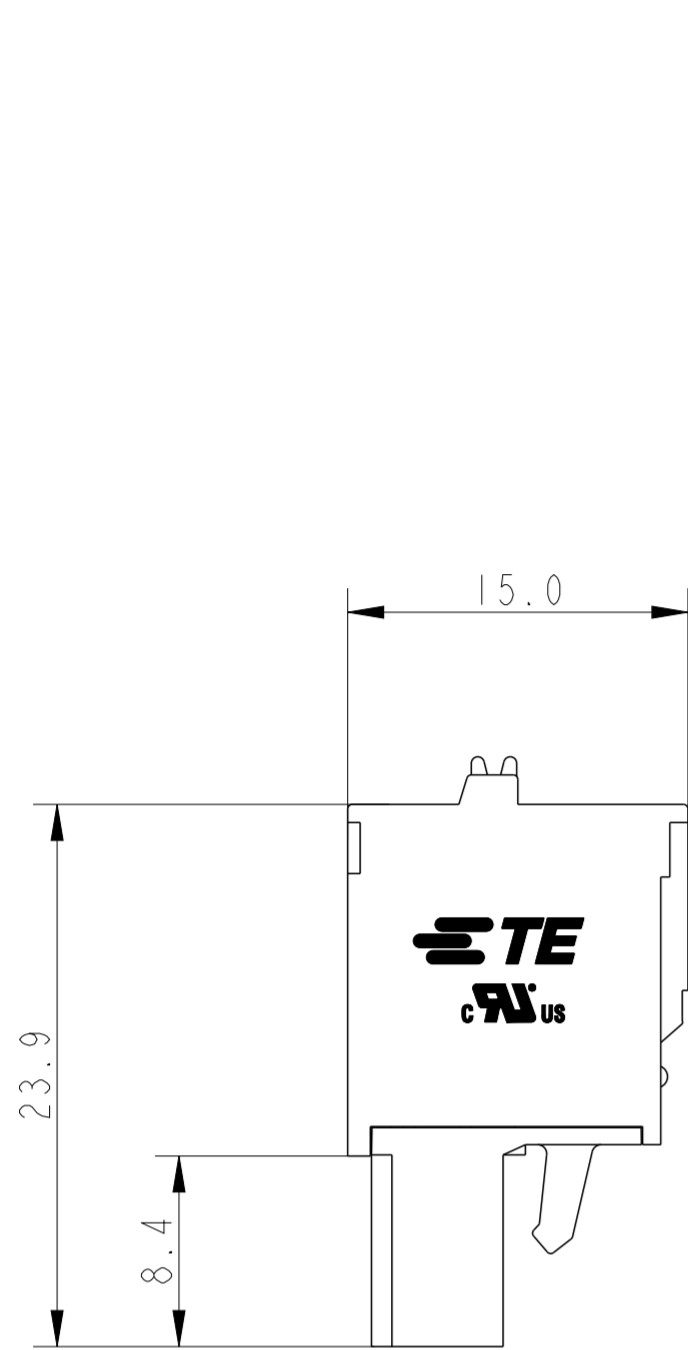


REVISIONS

P	LTR	DESCRIPTION	DATE	DWN	APVD
A		PRODUCTION RELEASE	25NOV2025	NMP	PS
AI		PROJECT NUMBER ADDED	13JAN2026	KA	NMP



2842514-6 AS SHOWN

NOTE:

- △ MATERIALS AND FINISH  
 HOUSING : PA 66, UL 94 V-0, COLOR GREEN.  
 PUSH BUTTON: POM UL94-HB, COLOR ORANGE.  
 CONTACT : PHOSPHOR BRONZE, TIN PLATED .  
 SPRING : STAINLESS STEEL
- ELECTRICAL:  
 WIRE RANGE : 26-12 AWG  
 RATED VOLTAGE : 300V  
 RATED CURRENT : 10A  
 INSULATION RESISTANCE : >1000 MΩ (500V DC)  
 INSULATION WITHSTANDING VOLTAGE : AC 1600V/MIN  
 STRIPPING LENGTH : 8-9mm
- OPERATING TEMPERATURE RANGE : -40°C TO +115°C
- △ NOT CUMULATIVE TOLERANCE
- PARTS UPTO 24 POSITIONS ARE AVAILABLE UPON REQUEST

TOLERANCE FOR DIM B	DIM B	TOLERANCE FOR DIM L	DIM L	NO OF POSITIONS(P)	PART NUMBER
±0.20	45.72	±0.25	50.80	10	1-2842514-0
	40.64		45.72	9	2842514-9
	35.56		40.64	8	2842514-8
	30.48		35.56	7	2842514-7
±0.15	25.40	±0.20	30.48	6	2842514-6
	20.32		25.40	5	2842514-5
	15.24		20.32	4	2842514-4
	10.16		15.24	3	2842514-3
	5.08		10.16	2	2842514-2

THIS DRAWING IS A CONTROLLED DOCUMENT.		DWN 9SEP2025 NIVEDITHA M P		
DIMENSIONS: mm		CHK 10SEP2025 MUJAMIL BASHA		
TOLERANCES UNLESS OTHERWISE SPECIFIED:		APVD 10SEP2025 PRASHANTH SURATHKAL	NAME SPRING TERMINAL BLOCK PLUG , SR 5.08MM PITCH , GREEN	
0 PLC ±0.50 1 PLC ±0.30 2 PLC ±0.10 3 PLC ± 4 PLC ±		PRODUCT SPEC 108-161183	RESTRICTED TO	
ANGLES ±°		APPLICATION SPEC 114-160803	SIZE A2	CAGE CODE 00779
MATERIAL SEE NOTES		FINISH SEE NOTES	DRAWING NO C-2842514	SCALE 3:1
		WEIGHT -	SHEET 1	REV A1
		CUSTOMER DRAWING		