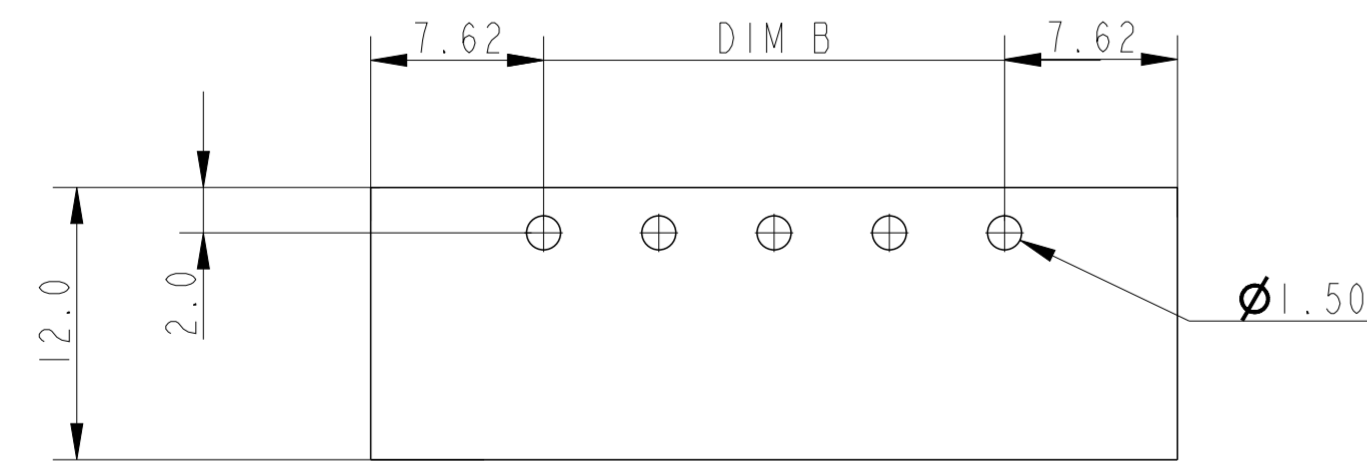
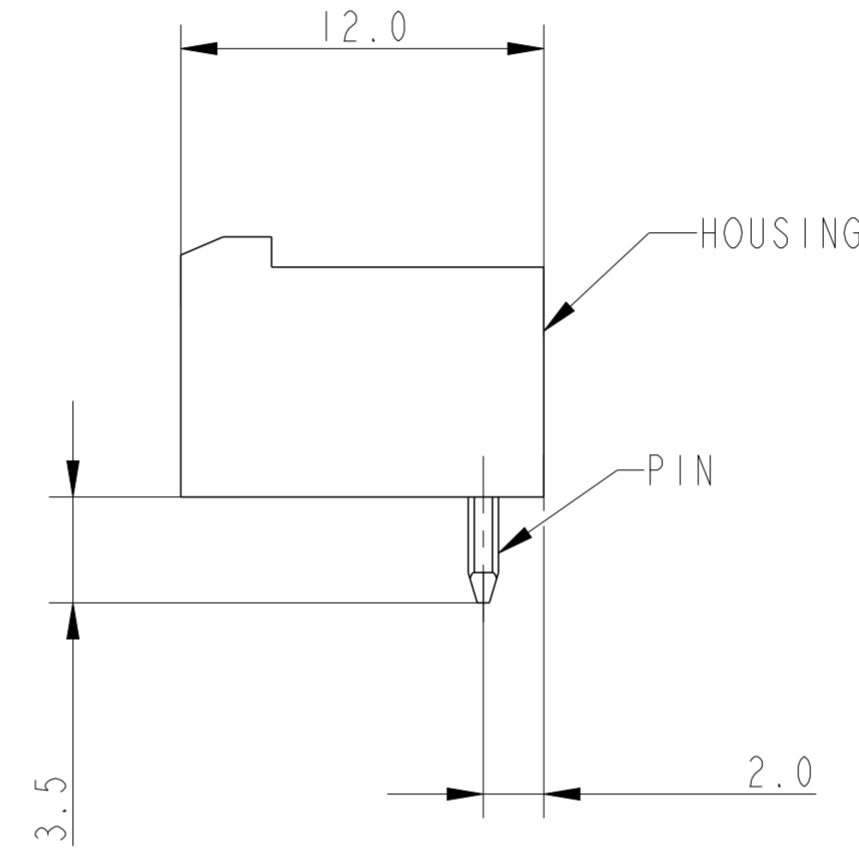
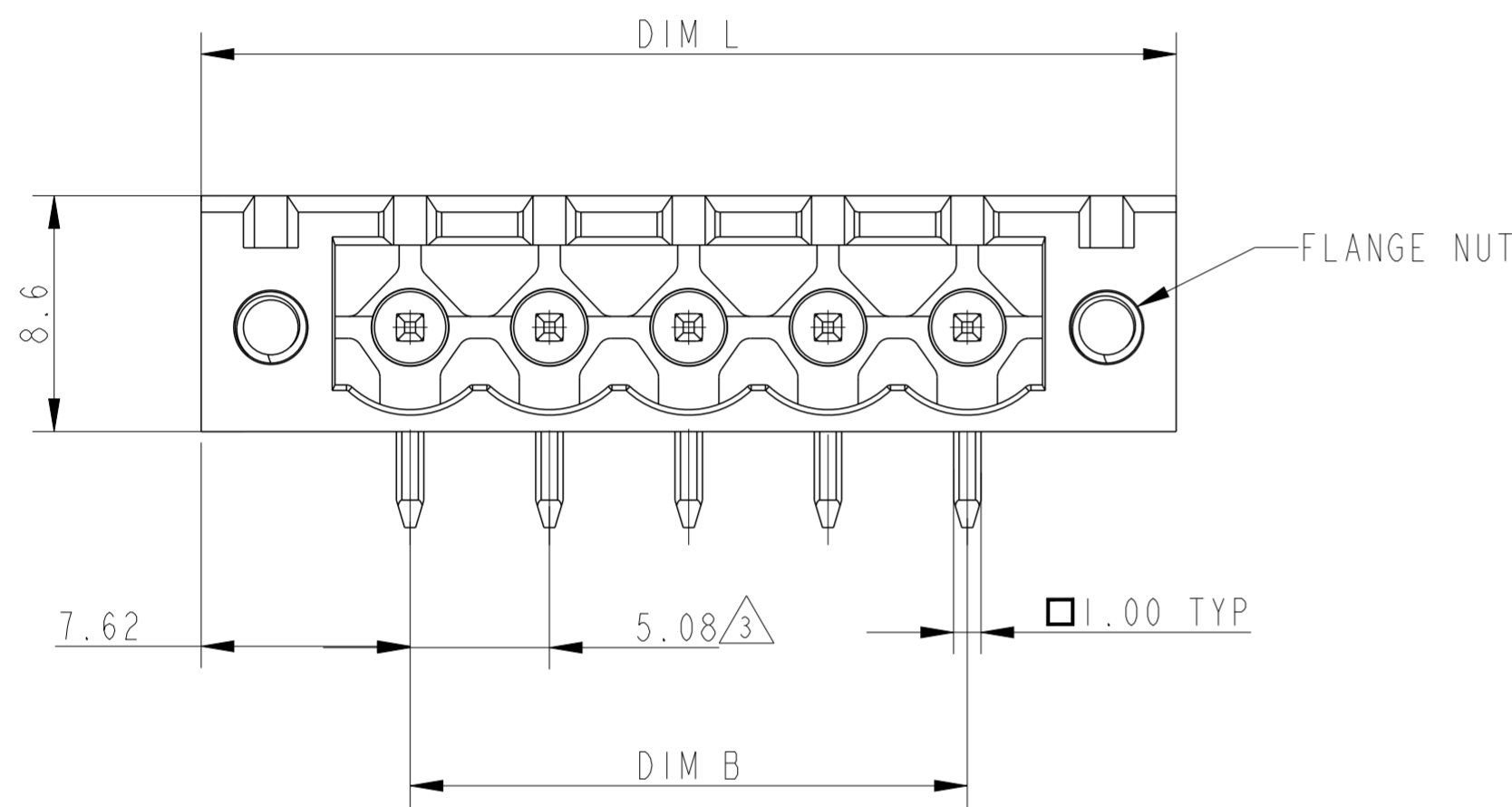
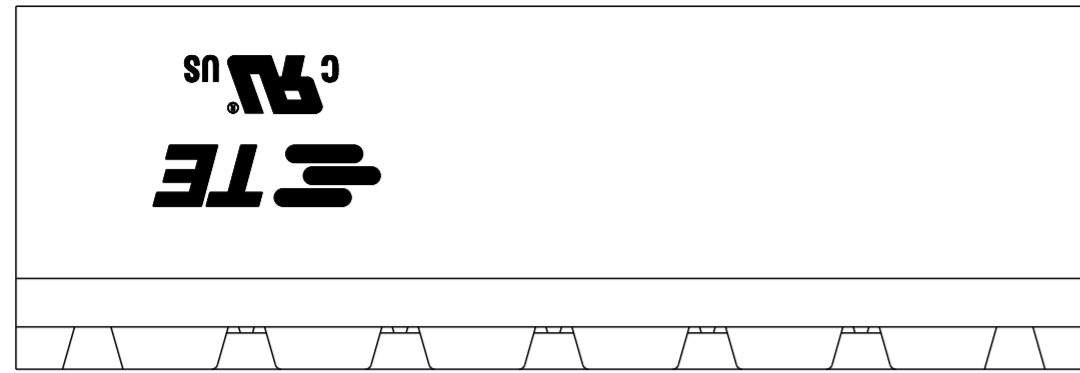
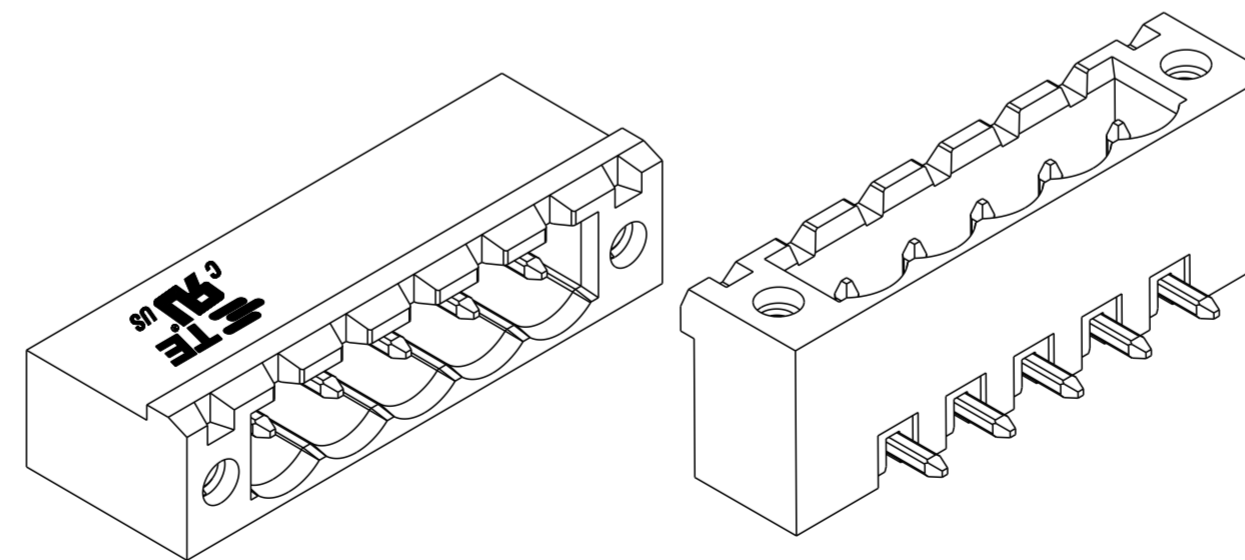


REVISIONS					
P	LTR	DESCRIPTION	DATE	DWN	APVD
A		PRODUCTION RELEASE	25NOV2025	NMP	PS
AI		PROJECT NUMBER ADDED	13JAN2026	KA	NMP



RECOMMENDED PCB LAYOUT



2842524-5 AS SHOWN

NOTES:

- △ MATERIAL AND FINISH  
 HOUSING : PA66 UL94-V0, COLOR GREEN  
 CONTACT PIN : COPPER, TIN PLATED  
 FLANGE NUT : BRASS
- ELECTRICAL:  
 RATED VOLTAGE : 300V  
 RATED CURRENT : 15 A  
 INSULATION RESISTANCE : >1000M Ω (500DC)  
 INSULATION WITHSTANDING VOLTAGE: AC 1600V/ MIN
- △ NOT CUMULATIVE TOLERANCE
- OPERATING TEMPERATURE RANGE : -40°C TO +115°C
- PARTS ARE AVAILABLE UP TO 24 POSITIONS UPON REQUEST

TOLERANCE FOR DIM B	DIM B	TOLERANCE FOR DIM L	DIM L	NO OF POSITIONS(P)	PART NUMBER
±0.20	45.72	±0.30	60.96	10	1-2842524-0
	40.64		55.88	9	2842524-9
	35.56		50.80	8	2842524-8
±0.15	30.48	±0.25	45.72	7	2842524-7
	25.40		40.64	6	2842524-6
	20.32		35.56	5	2842524-5
±0.20	15.24	±0.20	30.48	4	2842524-4
	10.16		25.40	3	2842524-3
	5.08		20.32	2	2842524-2

THIS DRAWING IS A CONTROLLED DOCUMENT.

DIMENSIONS: mm	TOLERANCES UNLESS OTHERWISE SPECIFIED:	DWN: 9SEP2025 NIVEDITHA M P	TE Connectivity NAME: TERMINAL BLOCK, HEADER, SR, RIGHT ANGLE 5.08 mm PITCH, WITH FLANGE, GREEN
	0 PLC ±0.50	CHK: 10SEP2025 MUJAMIL BASHA	
	1 PLC ±0.30	APVD: 10SEP2025 PRASHANTH SURATHKAL	
	2 PLC ±0.10	PRODUCT SPEC: 108-161183	
MATERIAL: SEE NOTES	FINISH: SEE NOTES	APPLICATION SPEC: 114-160803	RESTRICTED TO: -
		WEIGHT: -	SIZE: A2 CAGE CODE: 00779 DRAWING NO: C-2842524
		CUSTOMER DRAWING	SCALE: 3:1 SHEET: 1 OF 1 REV: AI