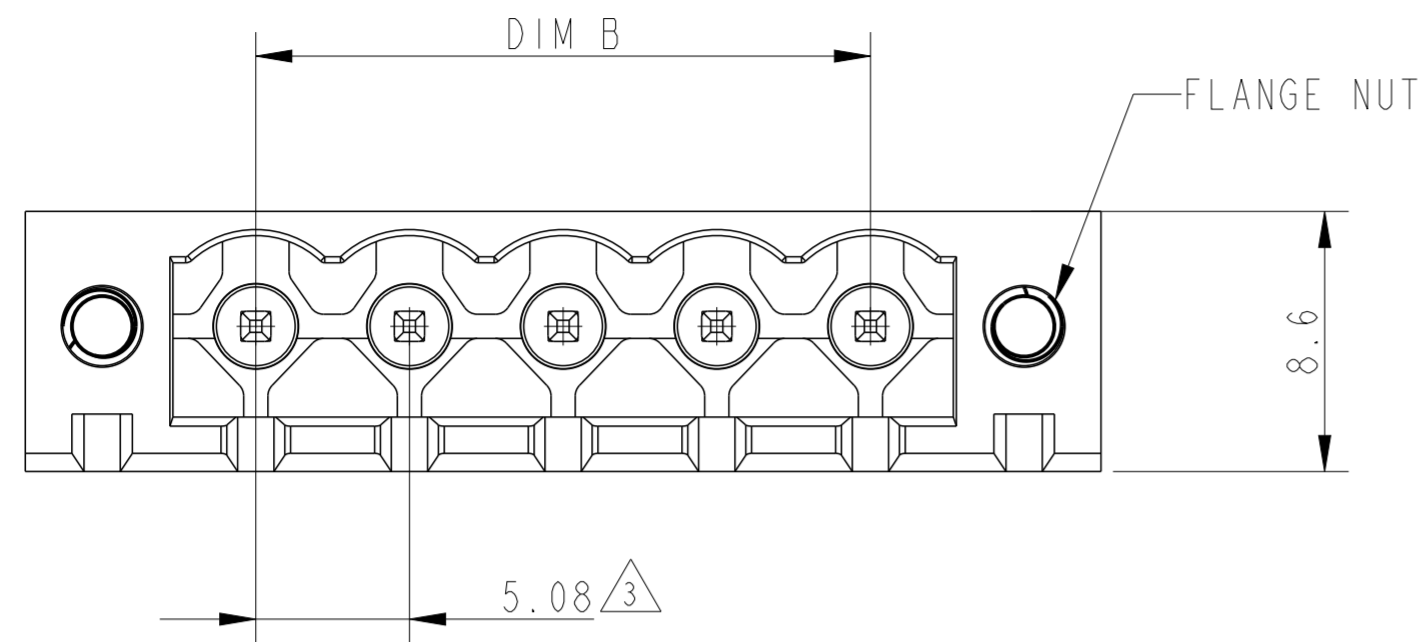
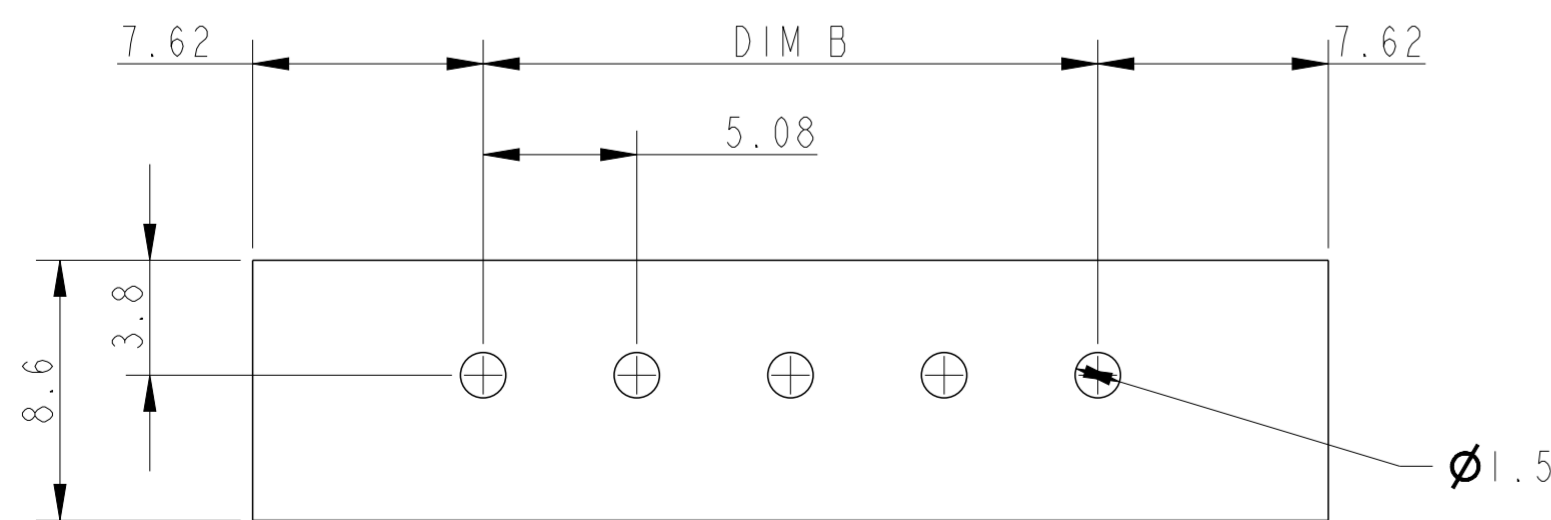
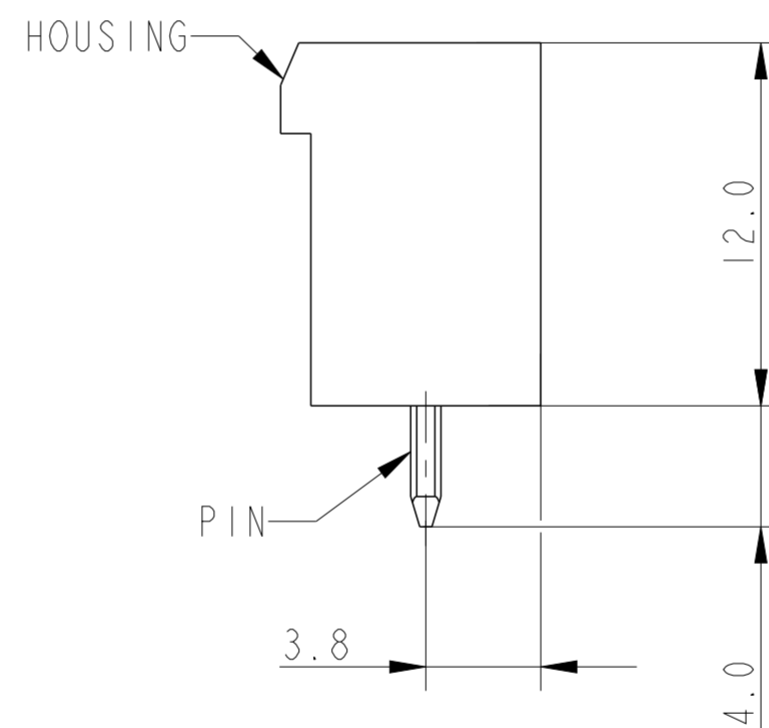
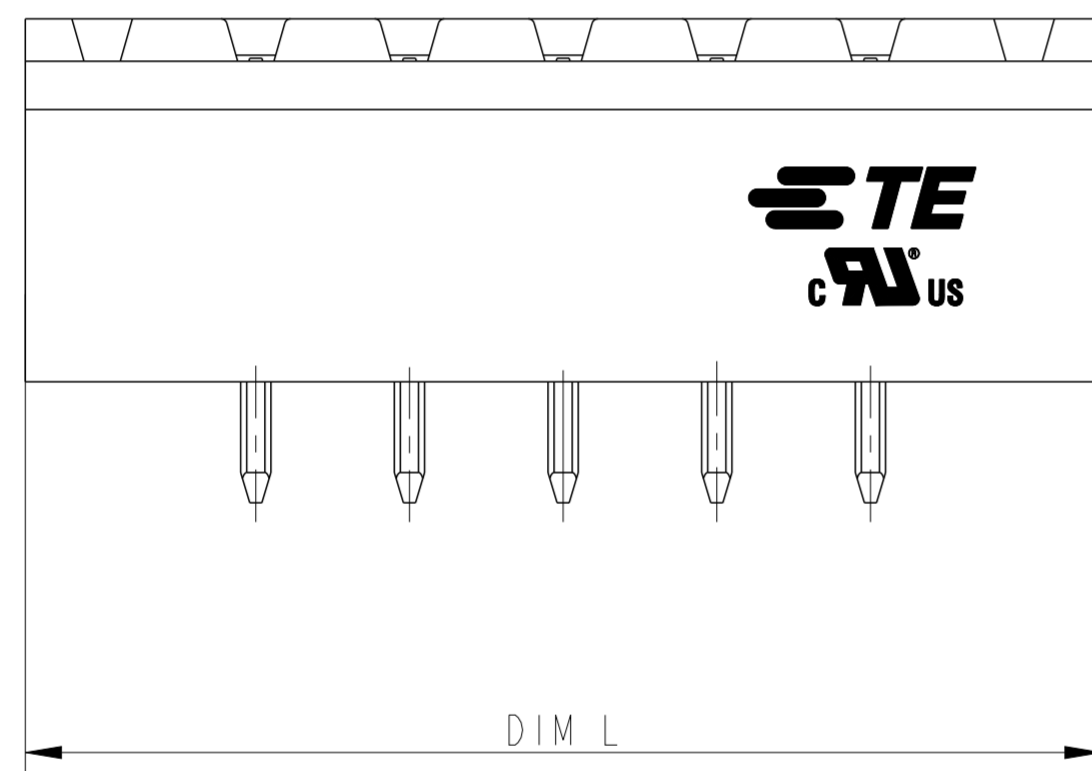


REVISIONS					
P	LTR	DESCRIPTION	DATE	DWN	APVD
A		PRODUCTION RELEASE	25NOV2025	NMP	PS
AI		PROJECT NUMBER ADDED	13JAN2026	KA	NMP

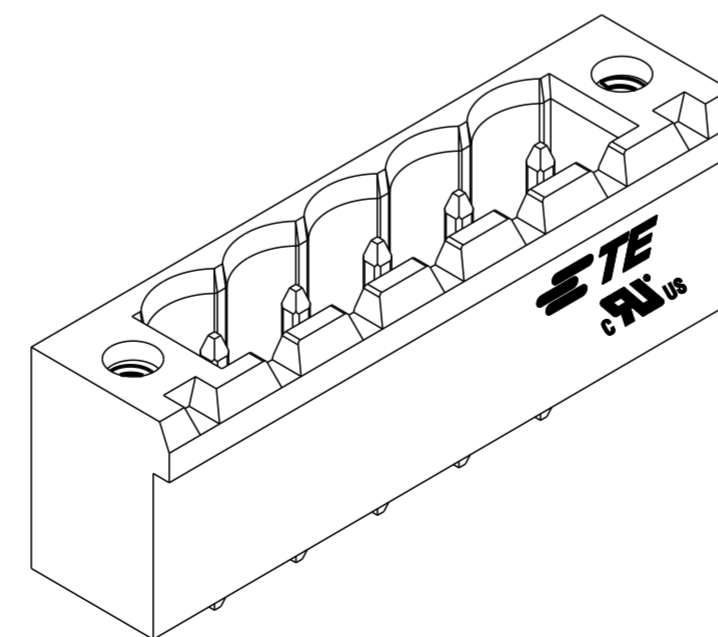


NOTES:

- 1. MATERIAL AND FINISH
 HOUSING : PA66 UL94-V0, COLOR GREEN
 CONTACT PIN : COPPER, TIN PLATED
 FLANGE NUT : BRASS
- 2. ELECTRICAL:
 RATED VOLTAGE : 300V
 RATED CURRENT : 8A
 INSULATION RESISTANCE : >1000 M (500DC)
 INSULATION WITHSTANDING VOLTAGE : AC 1600V/MIN
- 3. NOT CUMULATIVE TOLERANCE
- 4. OPERATING TEMPERATURE RANGE : -40°C TO +115°C.
- 5. PARTS ARE AVAILABLE UPTO 24 POSITIONS UPON REQUEST



RECOMMENDED PCB LAYOUT



2842522-5 AS SHOWN

±0.20	45.72	±0.30	60.96	10	1-2842522-0
	40.64		55.88	9	2842522-9
	35.56		50.80	8	2842522-8
±0.15	30.48	±0.25	45.72	7	2842522-7
	25.40		40.64	6	2842522-6
	20.32		35.56	5	2842522-5
±0.20	15.24	±0.20	30.48	4	2842522-4
	10.16		25.40	3	2842522-3
	5.08		20.32	2	2842522-2
TOLERANCE FOR DIM B	DIM B	TOLERANCE FOR DIM L	DIM L	NO OF POSITIONS(P)	PART NUMBER

THIS DRAWING IS A CONTROLLED DOCUMENT.		DWN	9SEP2025	TE Connectivity NAME: TERMINAL BLOCK, HEADER, SR, VERTICAL 5.08 mm PITCH, WITH FLANGE, GREEN	
DIMENSIONS: mm		CHK	10SEP2025		
TOLERANCES UNLESS OTHERWISE SPECIFIED:		APVD	10SEP2025		
0 PLC ±0.50 1 PLC ±0.30 2 PLC ±0.10 3 PLC ± 4 PLC ± ANGLES ±1° FINISH SEE NOTES		NAME	PRASHANTH SURATHKAL		
MATERIAL SEE NOTES		PRODUCT SPEC	108-161183	SIZE	A2
		APPLICATION SPEC	114-160803	CAGE CODE	00779
		WEIGHT	-	DRAWING NO	C-2842522
		CUSTOMER DRAWING		RESTRICTED TO	-
		SCALE	3:1	SHEET	1 OF 1
		REV	AI		