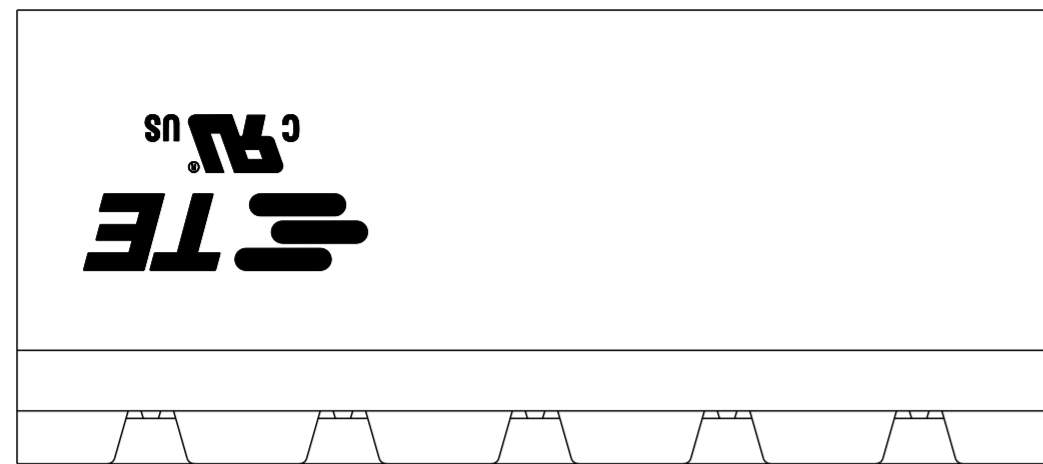
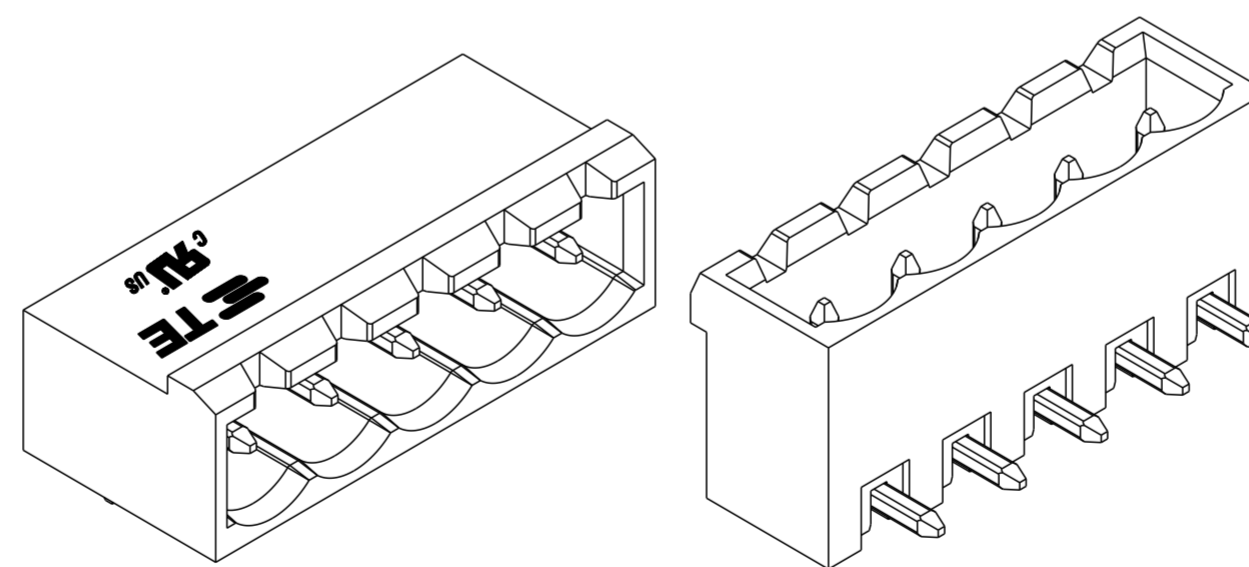
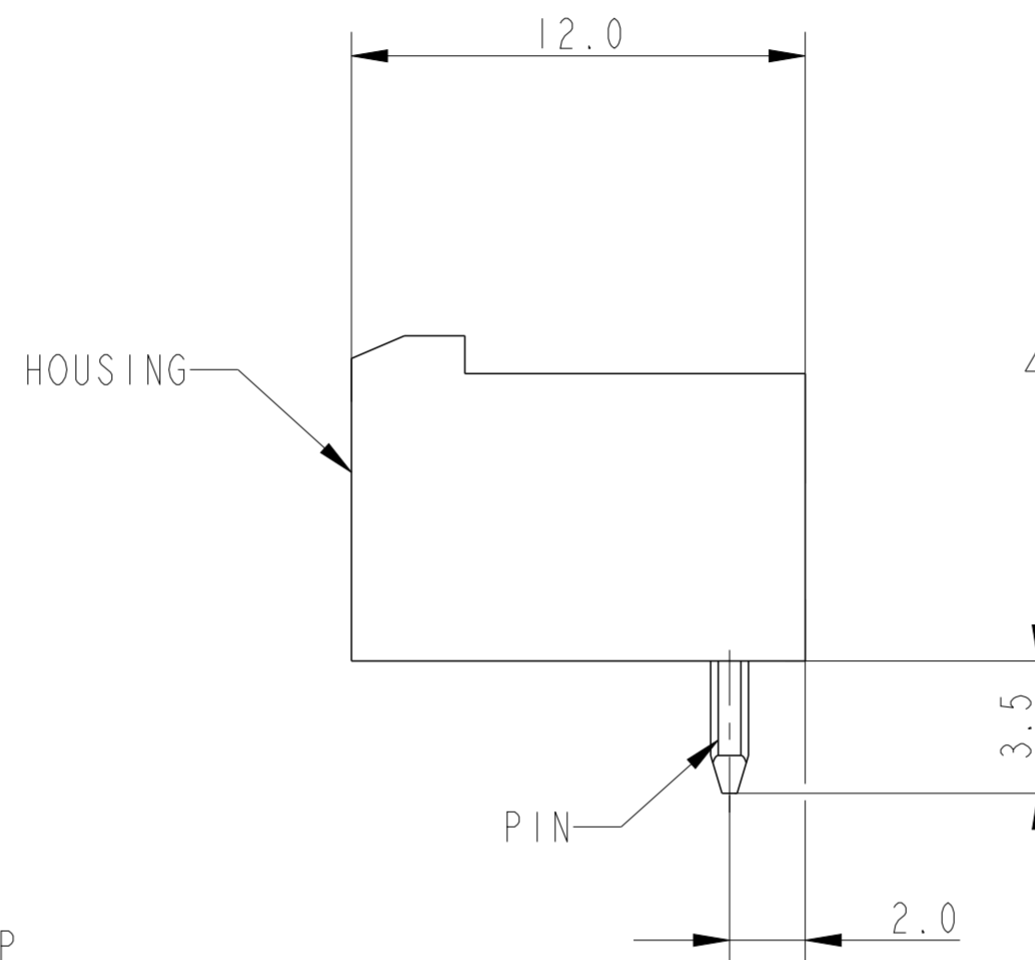
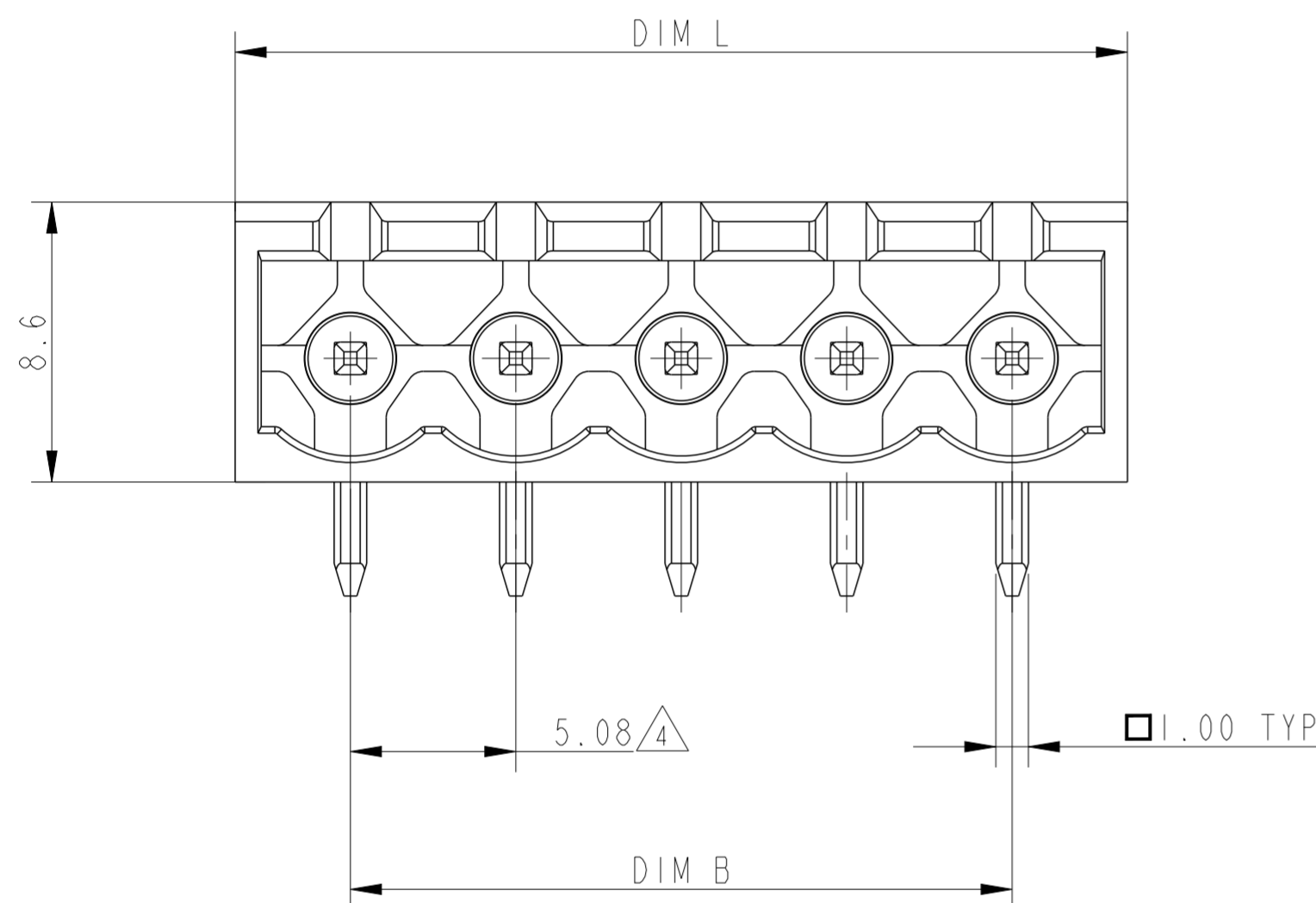


P	LTR	DESCRIPTION	DATE	DWN	APVD
A		PRODUCTION RELEASE	25NOV2025	NMP	PS
AI		PROJECT NUMBER ADDED	13JAN2026	KA	NMP



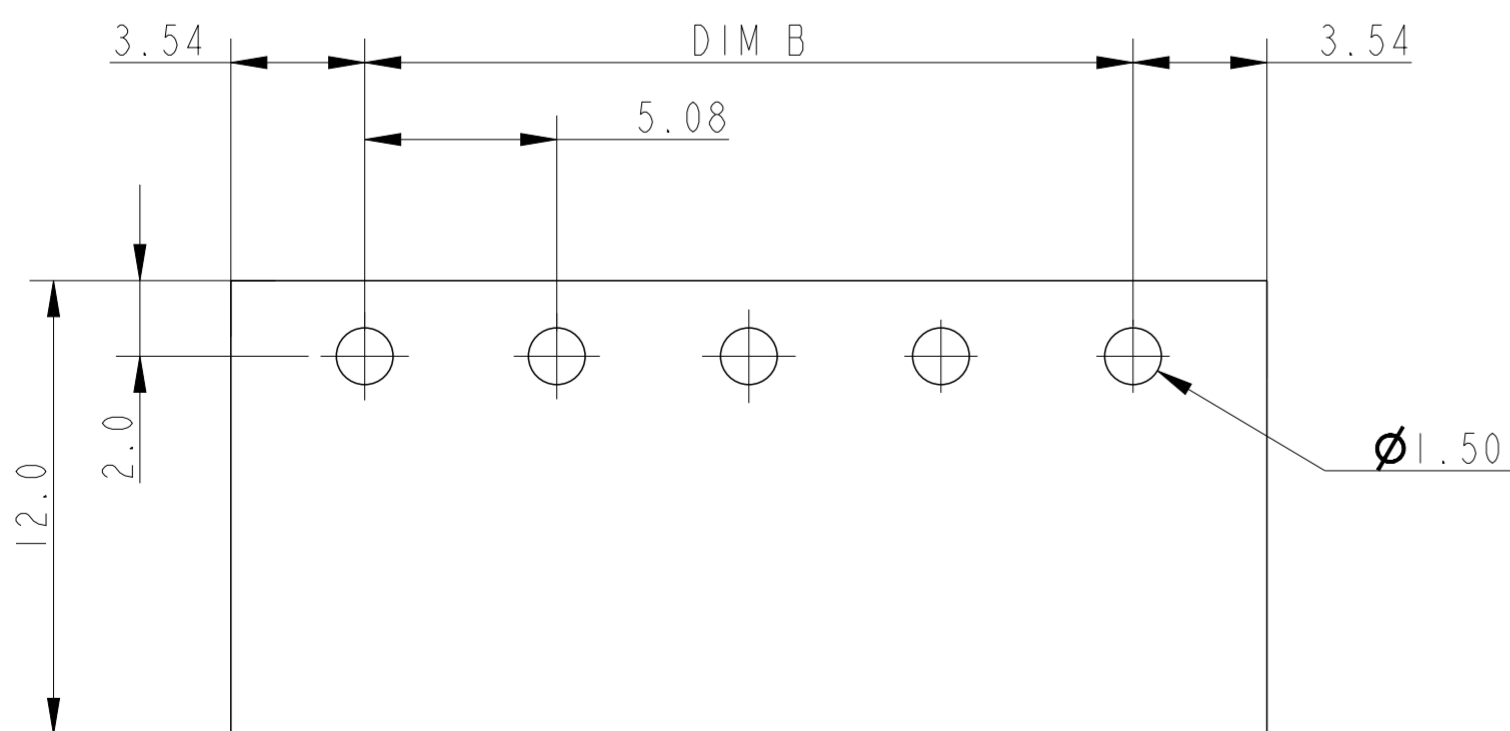
NOTES:

1. MATERIALS AND FINISH
 HOUSING : PA 66, UL 94 V-0, COLOR GREEN.
 CONTACT : COPPER, TIN PLATED
2. ELECTRICAL:
 RATED VOLTAGE : 300V
 RATED CURRENT : 15A
 INSULATION RESISTANCE : >1000 MΩ (500V DC)
 INSULATION WITHSTANDING VOLTAGE: AC 1600V/ MIN
3. OPERATING TEMPERATURE RANGE : -40 °C TO +115°C
4. NOT CUMULATIVE TOLERANCE
5. HIGHER POSITIONS UPTO 24 POSITIONS ARE AVAILABLE UPON REQUEST



2842518-5 AS SHOWN

TOLERANCE FOR DIM B	DIM B	TOLERANCE FOR DIM L	DIM L	NO OF POSITIONS(P)	PART NUMBER
±0.20	45.72	±0.25	52.80	10	1-2842518-0
	40.64		47.72	9	2842518-9
	35.56		42.64	8	2842518-8
	30.48		37.56	7	2842518-7
±0.15	25.40	±0.20	32.48	6	2842518-6
	20.32		27.40	5	2842518-5
	15.24		22.32	4	2842518-4
	10.16		17.24	3	2842518-3
	5.08		12.16	2	2842518-2



RECOMMENDED PCB LAYOUT

THIS DRAWING IS A CONTROLLED DOCUMENT.

DIMENSIONS: mm	TOLERANCES UNLESS OTHERWISE SPECIFIED: 0 PLC ±0.50 1 PLC ±0.30 2 PLC ±0.10 3 PLC ± 4 PLC ± ANGLES ±1° FINISH	DWN: NIVEDITHA M P CHK: MUJAMIL BASHA APVD: PRASHANTH SURATHKAL PRODUCT SPEC: 108-161183 APPLICATION SPEC: 114--160803 WEIGHT: - CUSTOMER DRAWING	NAME: TERMINAL BLOCK, HEADER, SR, RIGHT ANGLE 5.08 mm PITCH, GREEN SIZE: A2 CAGE CODE: 00779 DRAWING NO: C-2842518 RESTRICTED TO: - SCALE: 3:1 SHEET: 1 OF 1 REV: AI
-------------------	---	---	---