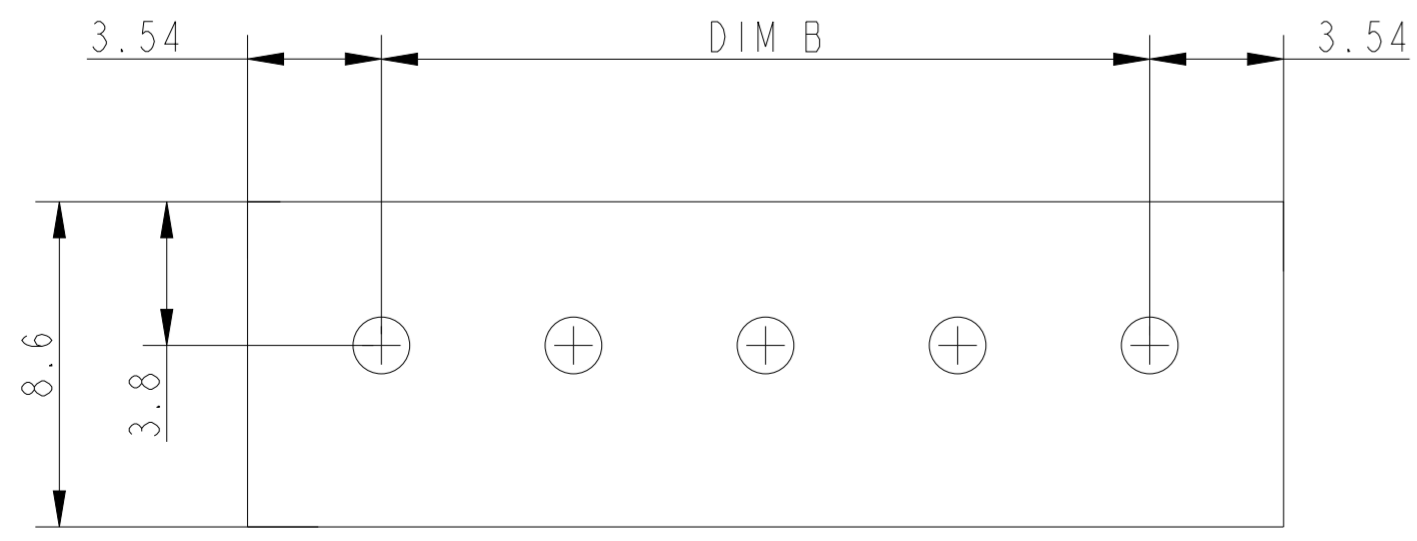
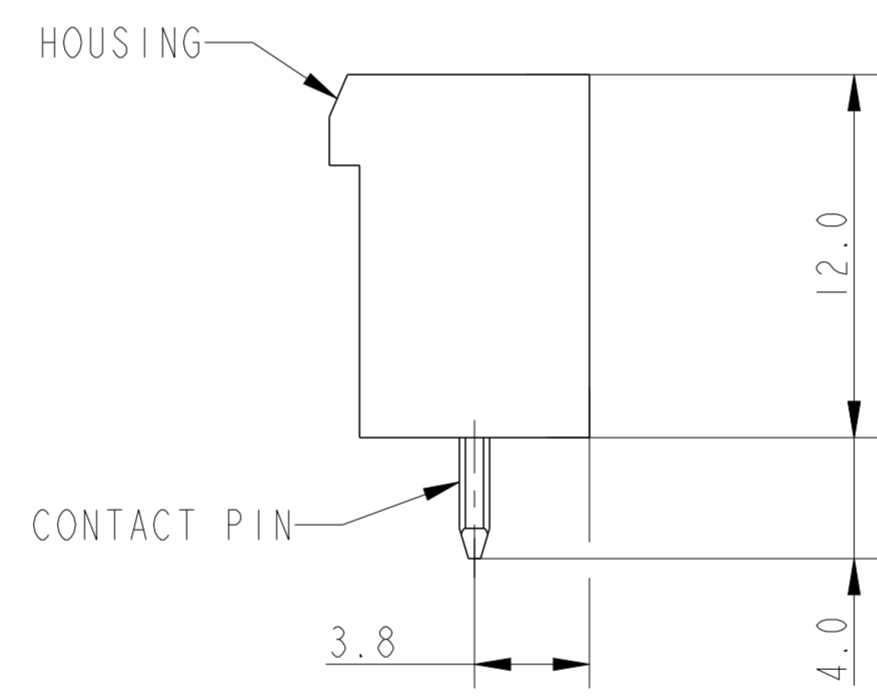
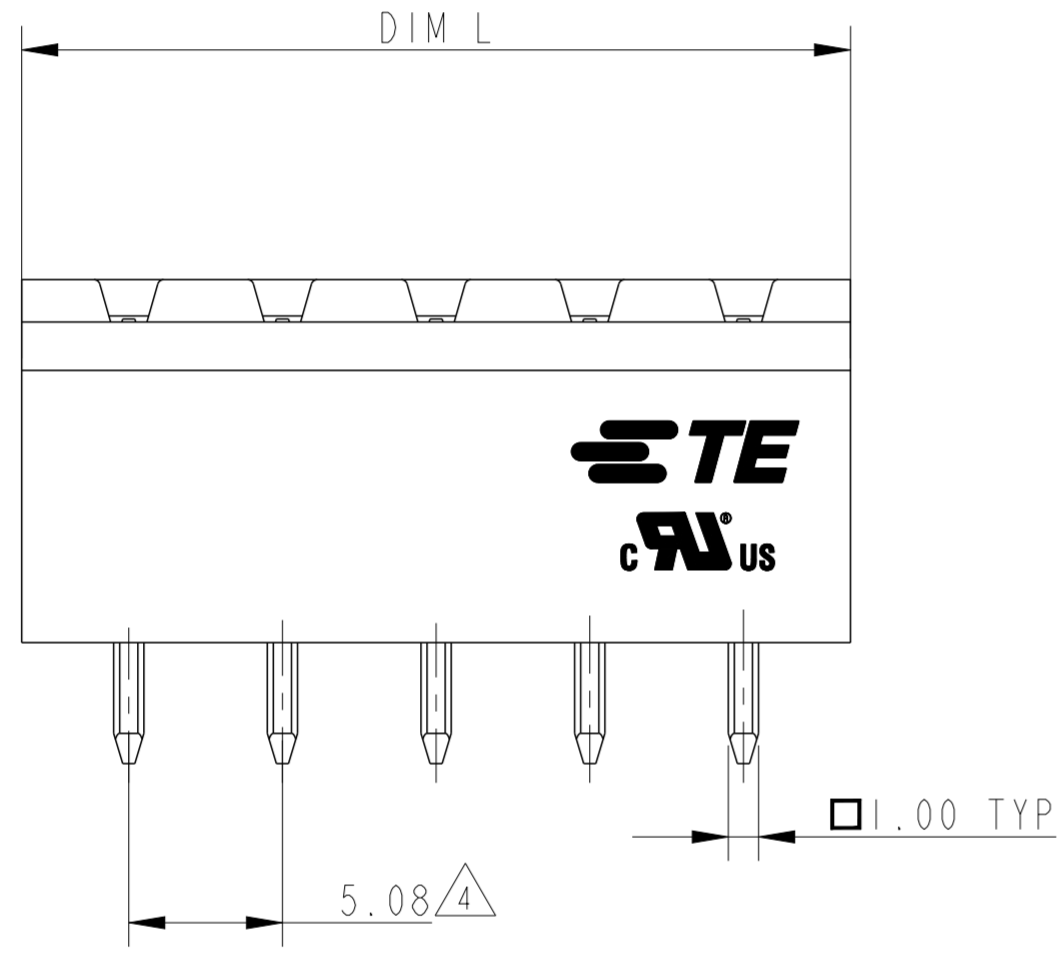
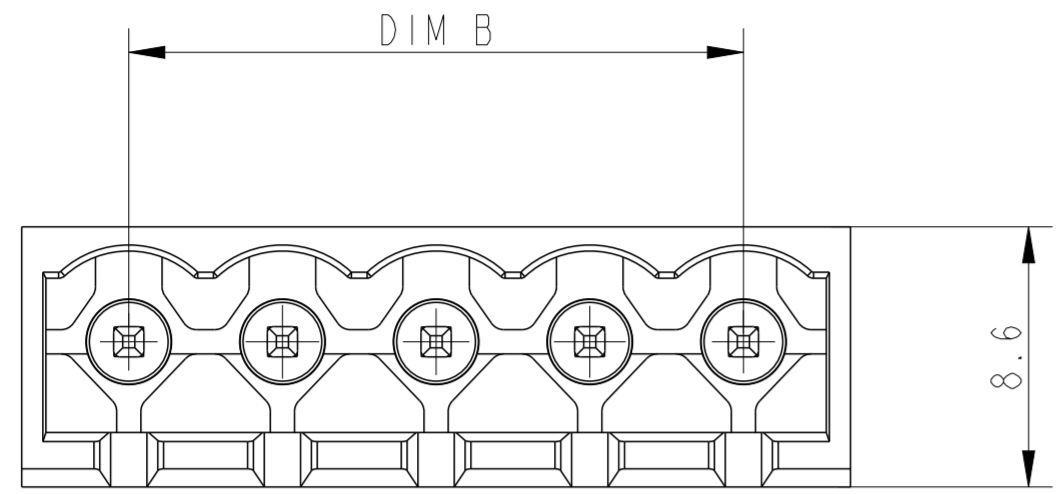
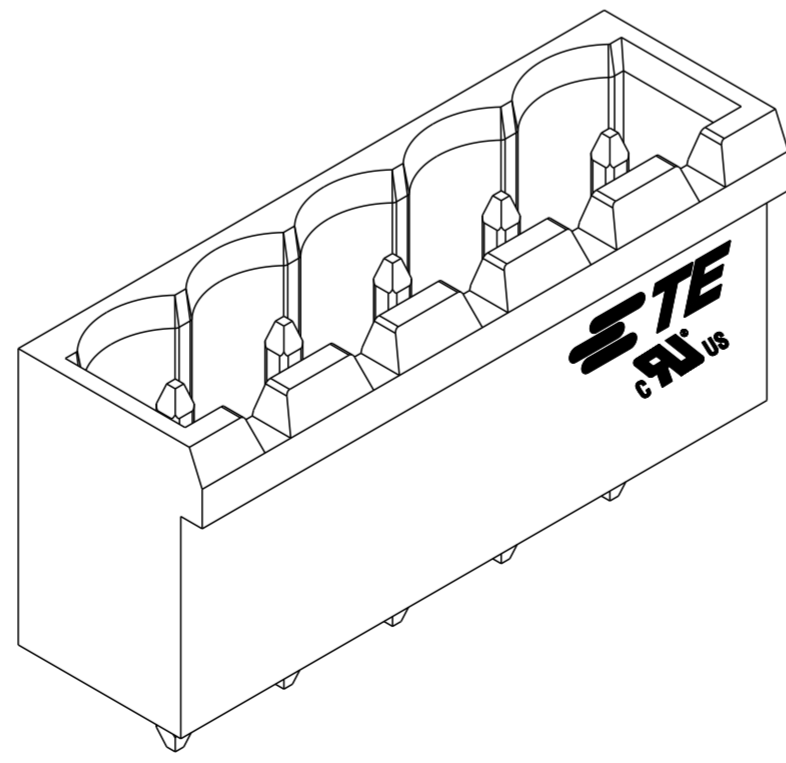


REVISIONS					
P	LTR	DESCRIPTION	DATE	DWN	APVD
A		PRODUCTION RELEASE	25NOV2025	NMP	PS
AI		PROJECT NUMBER ADDED	13JAN2026	KA	NMP



RECOMMENDEED PCB LAYOUT



2842516-5 AS SHOWN

NOTES:

- 1 MATERIAL AND FINISH  
HOUSING : PA66 UL94-V0, COLOR GREEN  
CONTACT PIN : COPPER, TIN PLATED
- 2. ELECTRICAL:  
RATED VOLTAGE : 300V  
RATED CURRENT : 15 A  
INSULATION RESISTANCE : >1000 M  $\Omega$  (500DC)  
INSULATION WITHSTANDING VOLTAGE : AC 1600V/MIN
- 3 OPERATING TEMPERATURE RANGE : -40°C TO +115°C.
- 4 NOT CUMULATIVE TOLERANCE
- 5. PARTS AVAILABLE UPTO 24 POSITIONS UPON REQUEST

TOLERANCE FOR DIM B	DIM B	TOLERANCE FOR DIM L	DIM L	NO OF POSITIONS(P)	PART NUMBER
$\pm 0.20$	45.72	$\pm 0.25$	52.80	10	1-2842516-0
	40.64		47.72	9	2842516-9
	35.56		42.64	8	2842516-8
	30.48		37.56	7	2842516-7
$\pm 0.15$	25.40	$\pm 0.20$	32.48	6	2842516-6
	20.32		27.40	5	2842516-5
	15.24		22.32	4	2842516-4
	10.16		17.24	3	2842516-3
	5.08		12.16	2	2842516-2

ITEM	DESCRIPTION	MATERIAL	FINISH	QTY
2	PIN	COPPER	TIN PLATED	P
1	HOUSING	PA66 UL94V-0-GREEN		I

THIS DRAWING IS A CONTROLLED DOCUMENT.

DIMENSIONS: mm	TOLERANCES UNLESS OTHERWISE SPECIFIED:	DWN: 05AUG2025 NIVEDITHA M.P.	TE Connectivity NAME: TERMINAL BLOCK, HEADER, SR, VERTICAL 5.08 mm PITCH, GREEN
0 PLC $\pm 0.50$	1 PLC $\pm 0.30$	CHK: 06AUG2025 MUJAMIL BASHA	
2 PLC $\pm 0.10$	3 PLC $\pm$	APVD: 06AUG2025 PRASHANTH SURATHKAL	
4 PLC $\pm$	ANGLES $\pm 1^\circ$	PRODUCT SPEC: 108-161183	
MATERIAL: SEE NOTES	FINISH: SEE NOTES	APPLICATION SPEC: 114-160803	SIZE: A2
		WEIGHT: -	CAGE CODE: -
		CUSTOMER DRAWING	DRAWING NO: C-2842516

SCALE: 3:1 SHEET 1 OF 1 REV AI