



**SERIES:** PRL6 | **DESCRIPTION:** LATCHING POWER RELAY

**FEATURES**

- single coil
- double coil
- 1 form A

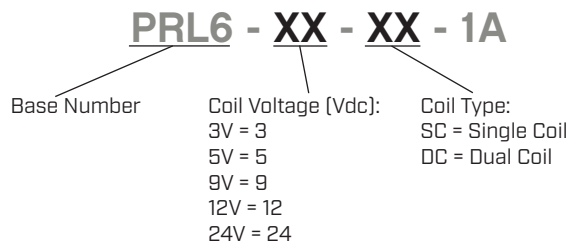


**MODEL**

	<b>coil voltage typ [Vdc]</b>	<b>coil resistance  (<math>\Omega \pm 10\%</math>)</b>	<b>operating voltage min [Vdc]</b>	<b>reset voltage min [Vdc]</b>	<b>coil power typ [mW]</b>
PRL6-3V-SC-1A	3	36	2.4	2.4	250
PRL6-5V-SC-1A	5	100	4	4	250
PRL6-9V-SC-1A	9	324	7.2	7.2	250
PRL6-12V-SC-1A	12	576	9.6	9.6	250
PRL6-24V-SC-1A	24	2304	19.2	19.2	250
PRL6-3V-DC-1A	3	18/18	2.4	2.4	500
PRL6-5V-DC-1A	5	50/50	4	4	500
PRL6-9V-DC-1A	9	162/162	7.2	7.2	500
PRL6-12V-DC-1A	12	288/288	9.6	9.6	500
PRL6-24V-DC-1A	24	1152/1152	19.2	19.2	500

- Notes:
1. The magnetic relay is shipped in the reset state. However, it may be in the set state due to impact of transportation or installation. Therefore, check status of the relay prior to use.
  2. It is recommended to apply 1-1.3 times of rated coil voltage and the pulse width must be greater than 30 ms.
  3. Do not apply voltage to the set coil and reset coil at the same time, and do not apply voltage to the coil for more than 1 minute.
  4. During transportation, storage, and application, please keep the relays away from strong magnetic fields to avoid malfunction or damage.
  5. All specifications are measured at 23°C unless otherwise specified.

**PART NUMBER KEY**



## CONTACT SPECIFICATIONS

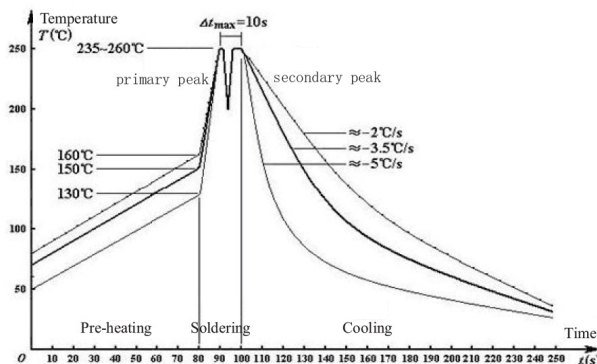
parameter	conditions/description	min	typ	max	units
contact form	1 Form A				
contact material	Ag alloy				
contact rating	16 A @ 277 Vac TV-10 250 Vac				
contact resistance	at 6 Vdc, 1 A			100	mΩ
max switching voltage				277	Vac
max switching current				16	A
max switching power				4,432	VA
min switching load	5 Vdc, 0.1 A				
life	electrical: 16 A, 277 Vac resistive load mechanical: at 180 operations/minute		100,000 1,000,000		operations operations

## GENERAL SPECIFICATIONS

parameter	conditions/description	min	typ	max	units
insulation resistance	at 500 Vdc	1,000			MΩ
dielectric strength	between open contacts, 50/60 Hz for 1 minute between coil and contacts, 50/60 Hz for 1 minute		1,000 4,000		Vac Vac
operate time				15	ms
release time				15	ms
shock resistance	endurance misoperation		1,000 100		m/s <sup>2</sup> m/s <sup>2</sup>
vibration resistance	endurance: 10~55 Hz, 1.5 mm double amplitude misoperation: 10~55 Hz, 1.5 mm double amplitude				
operating temperature		-40		85	°C
humidity	at 40°C	5		85	%RH
weight			7		g
safety approvals	UL/cUL 508				
flammability rating	UL94V-0				
RoHS	yes				
packaging	tube: 100 pcs per case carton size: 464 x 314 x 166 mm carton QTY: 1,000 pcs per carton				

## SOLDERABILITY

parameter	conditions/description	min	typ	max	units
hand soldering	for 3.5±0.5 seconds	340	350	360	°C
wave soldering	for 10±1 seconds	255	260	265	°C

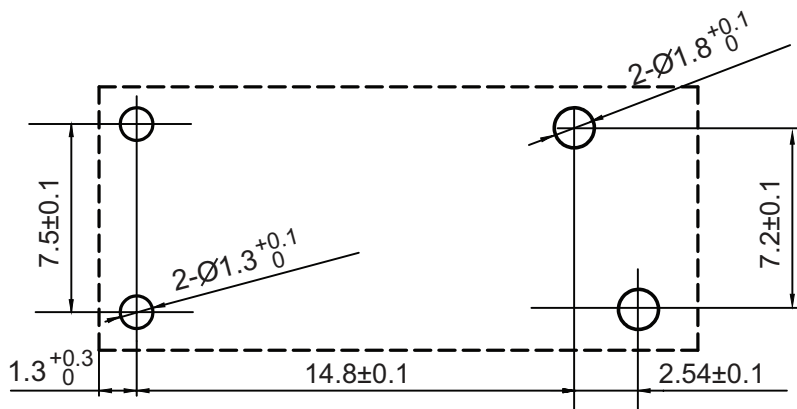
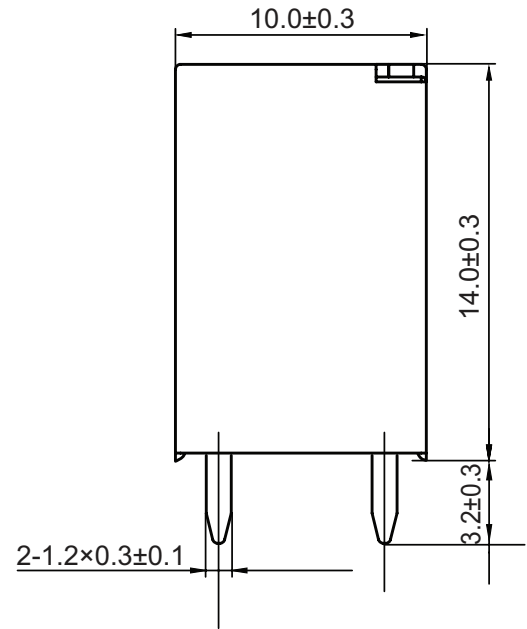
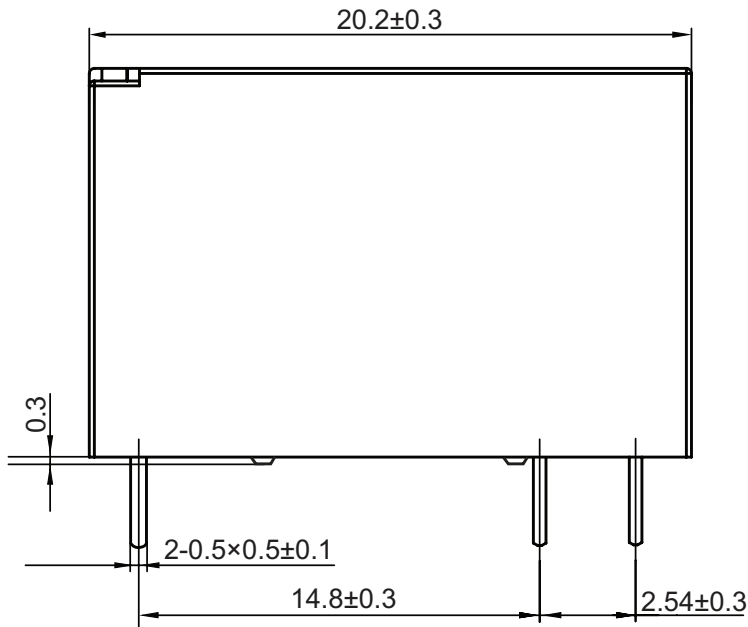


Double-wave Soldering Curve

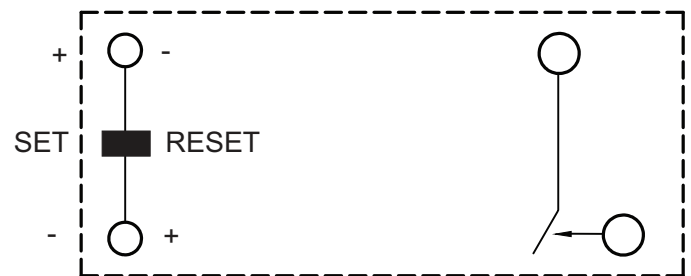
## MECHANICAL DRAWING (SINGLE COIL)

units: mm

DESCRIPTION	MATERIAL	PLATING/COLOR
housing	PBT (UL94V-0)	black
contact terminals	copper alloy	tin
coil terminals	iron	tin over copper



Recommended PCB Layout  
Bottom View

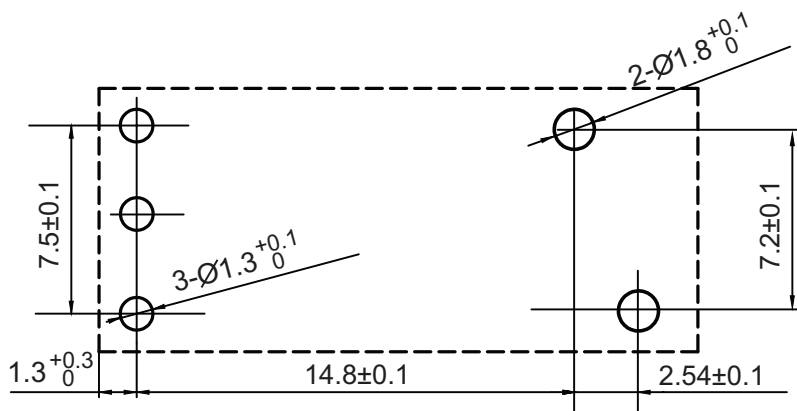
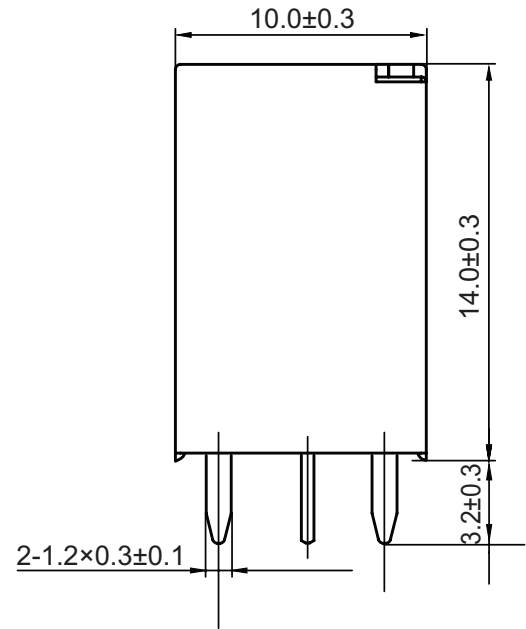
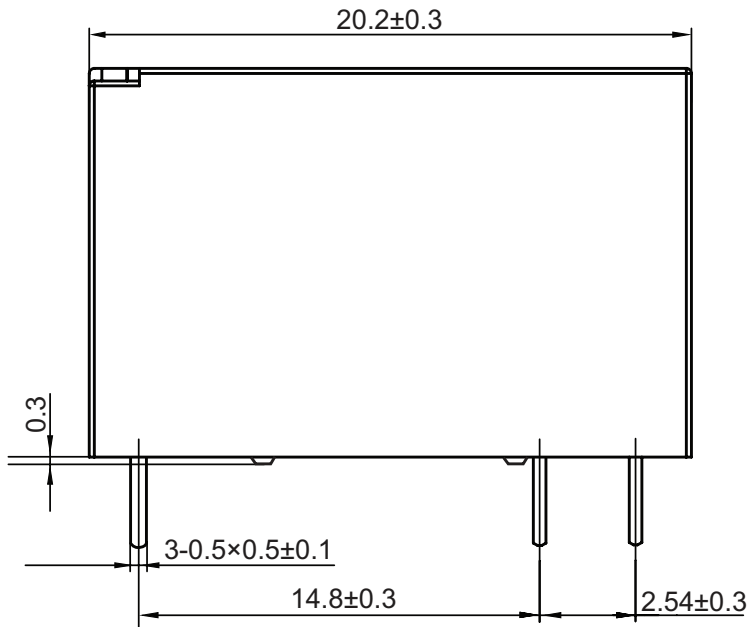


Wiring Diagram  
Bottom View

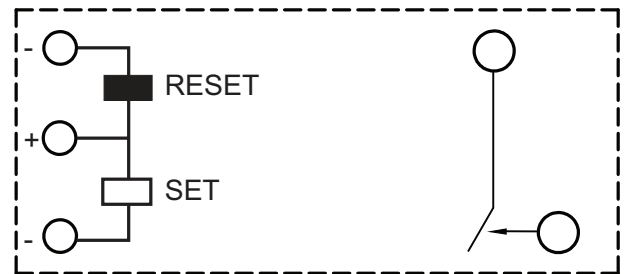
## MECHANICAL DRAWING (DOUBLE COIL)

units: mm

DESCRIPTION	MATERIAL	PLATING/COLOR
housing	PBT [UL94V-0]	black
contact terminals	copper alloy	tin
coil terminals	iron	tin over copper



Recommended PCB Layout  
Bottom View



Wiring Diagram  
Bottom View

## REVISION HISTORY

rev.	description	date
1.0	initial release	05/19/2025

The revision history provided is for informational purposes only and is believed to be accurate.



Same Sky offers a one (1) year limited warranty. Complete warranty information is listed on our website.

Same Sky reserves the right to make changes to the product at any time without notice. Information provided by Same Sky is believed to be accurate and reliable. However, no responsibility is assumed by Same Sky for its use, nor for any infringements of patents or other rights of third parties which may result from its use.

Same Sky products are not authorized or warranted for use as critical components in equipment that requires an extremely high level of reliability. A critical component is any component of a life support device or system whose failure to perform can be reasonably expected to cause the failure of the life support device or system, or to affect its safety or effectiveness.

[sameskydevices.com](https://www.sameskydevices.com)