

RoHS
Compliant



MP016669 - Black Colour
MP016670 - Silver Colour



MP016671 - Black Colour
MP016672 - Silver Colour



MP016673 - Silver Colour



MP016674

Description

Flush mounting Female to Female couplers with a 5Gb/s data transmission speed and rated 1A / 5V for power, designed for use with 22mm panel cut outs. The couplers are available in USB-A, USB-C and Dual USB-A configurations, manufactured in Zinc alloy with a bezel finished in either Black or Silver, and come complete with a locking nut for fixing to the rear of a panel. These are ideally suited in applications where devices such as mobiles phones, laptops, tablets and other USB enabled devices may require charging, power or data connection, e.g. smart offices, A/V, public spaces, convenience charging, commercial spaces, residential installations.

Features

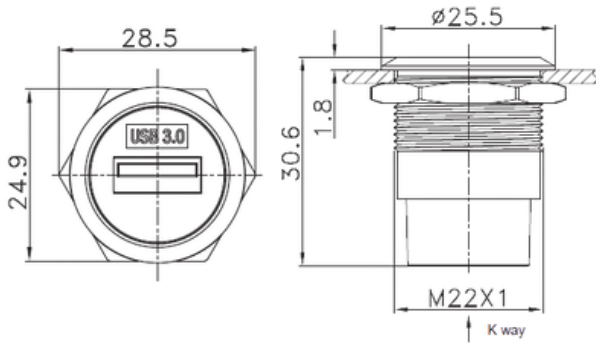
- USB-A 3.0 / USB-C / Dual USB-A 3.0 Female - Female sockets
- USB-A 3.0 available with 250mm Male pigtail
- Zinc alloy bezel with Nylon insert
- Standard 22mm panel size
- Fixing with included Nickel plated Brass locknut
- Rubber 'O'-ring for firm fixing and anti-vibration
- Black or Silver bezel finish

Specifications

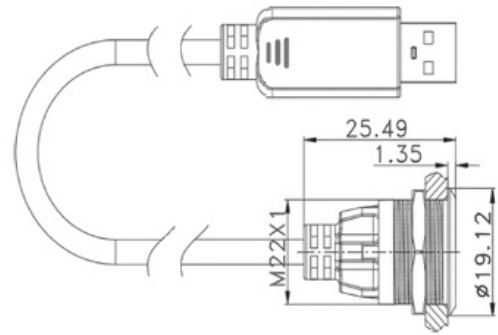
Connection Type	: USB
Port Options	: USB-A 3.0 USB-C Dual USB-A 3.0
Body Colour	: Black
Bezel Colour	: Black or Silver
Panel Cutout	: 22mm
Material	: Zinc Alloy & Nylon

Diagram

**USB-C & Dual USB-A
Female Socket**



**USB-A
Female Socket**



Part Number Table

Description	Part Number
USB Coupler, USB C, Black, 22mm	MP016669
USB Coupler, USB C, Silver, 22mm	MP016670
USB Coupler, USB C, Dual USB, Black, 22mm	MP016671
USB Coupler, USB C, Dual USB, Silver, 22mm	MP016672
USB Coupler, USB A, Black, Female To Female, 22mm	MP016673
USB Cable Assemblies, USB A, Black, Female To Male Pigtail Plug, 22mm	MP016674

Dimensions : Millimetres

Important Notice : This data sheet and its contents (the "Information") belong to the members of the AVNET group of companies (the "Group") or are licensed to it. No licence is granted for the use of it other than for information purposes in connection with the products to which it relates. No licence of any intellectual property rights is granted. The Information is subject to change without notice and replaces all data sheets previously supplied. The Information supplied is believed to be accurate but the Group assumes no responsibility for its accuracy or completeness, any error in or omission from it or for any use made of it. Users of this data sheet should check for themselves the Information and the suitability of the products for their purpose and not make any assumptions based on information included or omitted. Liability for loss or damage resulting from any reliance on the Information or use of it (including liability resulting from negligence or where the Group was aware of the possibility of such loss or damage arising) is excluded. This will not operate to limit or restrict the Group's liability for death or personal injury resulting from its negligence. Multicomp Pro is the registered trademark of Premier Farnell Limited 2019.