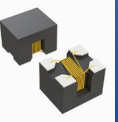


Signal Common Mode Chokes



ACMS-1210U3

Request Samples



Check Inventory



1.2 x 1.0 x 0.9 mm
RoHS/RoHS II Compliant
MSL Level = 1

Features

- High impedance over high frequency
- Rated current up to 400 mA
- 50Vdc rated voltage
- Compact low-profile package options
- Operating temperature range: -40°C to +125°C

Applications

- Noise suppression in signal transmission line
- DisplayPort 2.1, HDMI 2.1 and USB 3.2™ interfaces
- Laptops & portable gaming devices
- Monitors, active cables, docking stations and storage devices

Electrical Specifications

Part Number*	Common Mode Impedance (Ω)@100MHz	Impedance Tolerance	DCR (Ω)	Rated Current (mA)	Rated Voltage (VDC)	Withstand Voltage (VDC)	Insulation Resistance (MΩ)
	Typ.	%	Max.	Max.	Max.	Max.	Min.
ACMS-1210U3-150	15	25	0.25	400	50	125	10
ACMS-1210U3-350	35	25	0.30	200	50	125	10
ACMS-1210U3-500	50	25	0.30	250	50	125	10
ACMS-1210U3-600	60	25	0.30	250	50	125	10
ACMS-1210U3-900	90	25	0.40	200	50	125	10
ACMS-1210U3-121	120	25	0.35	250	50	125	10
ACMS-1210U3-161	160	25	0.43	160	50	125	10
ACMS-1210U3-201	200	25	0.80	120	50	125	10

*For full orderable part number, please refer to the [Part Identification](#) section.

Rated Current is based on an Irms temperature rise of 40°C Max.

Operating temperature: -40°C to +125°C. (including self-temperature rise)

Storage temperature (in original packaging): -10°C to 40°C, <60% RH Max.

ACMS-1210U3 Series is RoHS Compliant and Pb free.

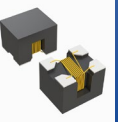


12117 Bee Caves Rd, Bldg-3, Suite 200
Bee Cave, TX 78738
Phone: 512-371-6159 Fax: 512-351-8858
For terms and conditions of sales, please visit:
www.abracon.com

REVISION: Initial Release
1/26/2026

ABRACON IS
ISO9001-2015
CERTIFIED

Signal Common Mode Chokes



ACMS-1210U3

Request Samples



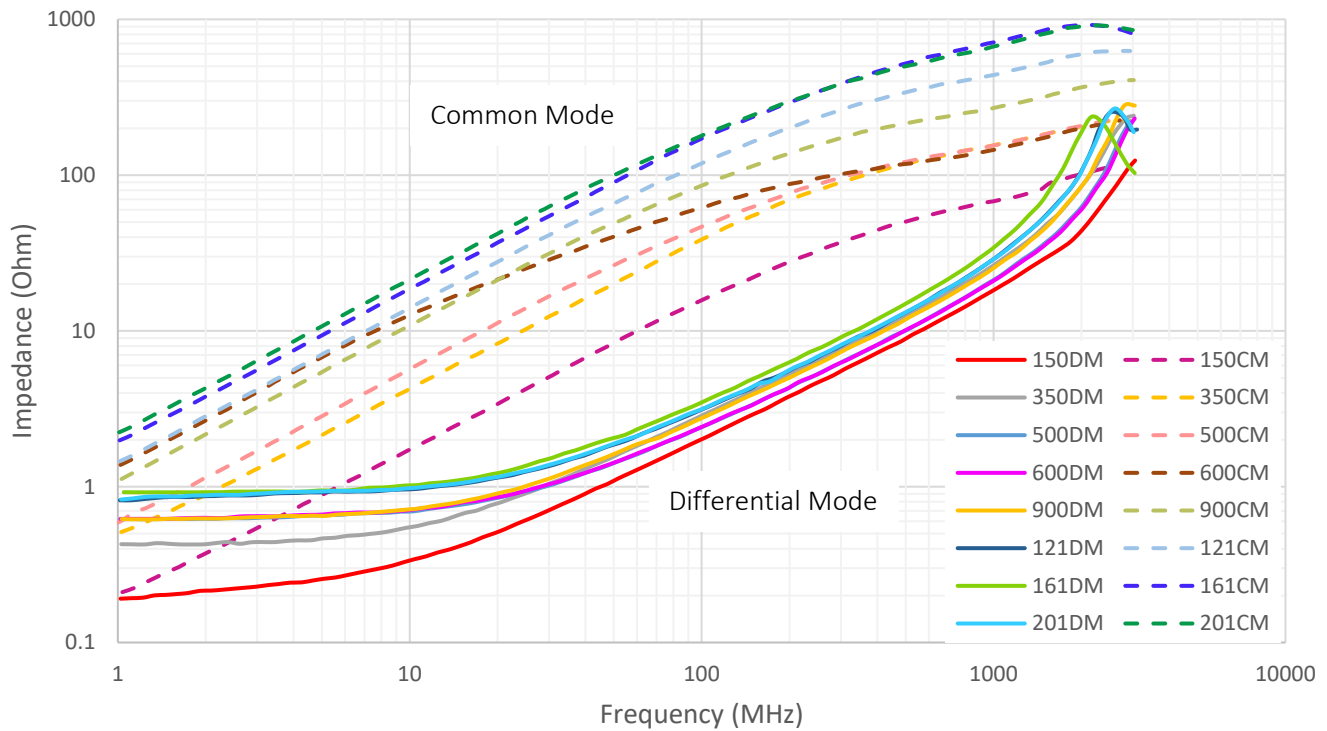
Check Inventory



1.2 x 1.0 x 0.9 mm
RoHS/RoHS II Compliant
 MSL Level = 1

Performance Graphs

ACMS-1210U3 Impedance vs Frequency



Part Identification

ACMS-1210U3-

Impedance Code

See Electrical Specification table
 e.g. 900 for 90Ω

Packaging options

T: Tape and Reel (See Packaging)
 B: Bulk

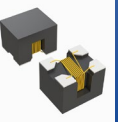


12117 Bee Caves Rd, Bldg-3, Suite 200
 Bee Cave, TX 78738
 Phone: 512-371-6159 Fax: 512-351-8858
 For terms and conditions of sales, please visit:
www.abracon.com

REVISION: Initial Release
 1/26/2026

ABRACON IS
 ISO9001-2015
 CERTIFIED

Signal Common Mode Chokes



ACMS-1210U3

Request Samples

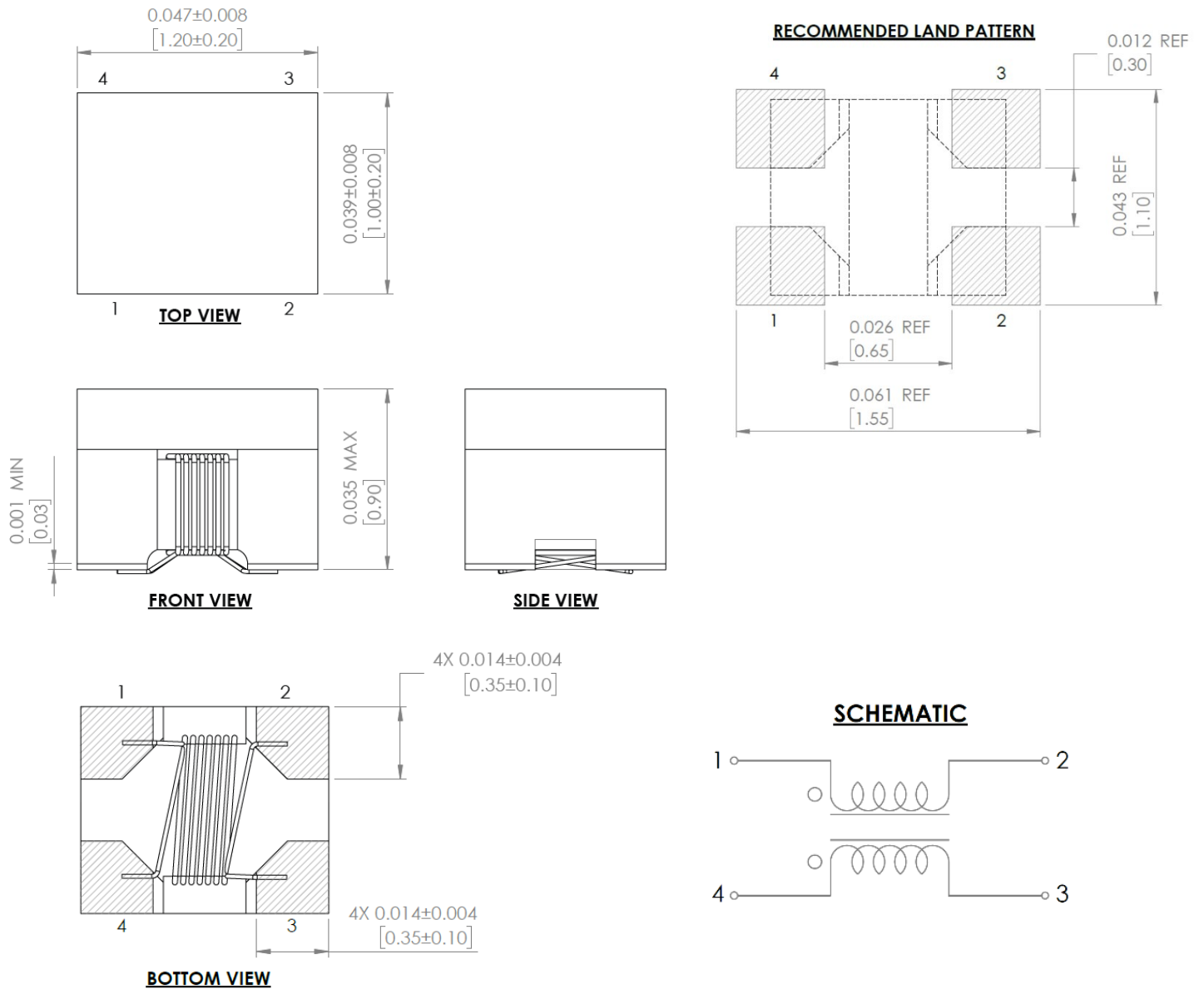


Check Inventory



1.2 x 1.0 x 0.9 mm
RoHS/RoHS II Compliant
MSL Level = 1

Mechanical Specifications



DIMENSIONS: INCHES [mm]

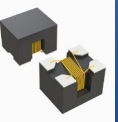


12117 Bee Caves Rd, Bldg-3, Suite 200
 Bee Cave, TX 78738
 Phone: 512-371-6159 Fax: 512-351-8858
 For terms and conditions of sales, please visit:
www.abracon.com

REVISION: Initial Release
1/26/2026

ABRACON IS
 ISO9001-2015
 CERTIFIED

Signal Common Mode Chokes



ACMS-1210U3

Request Samples



Check Inventory



1.2 x 1.0 x 0.9 mm
RoHS/RoHS II Compliant
MSL Level = 1

Reflow Profile

Reflow standard: [JEDEC J-STD-020]

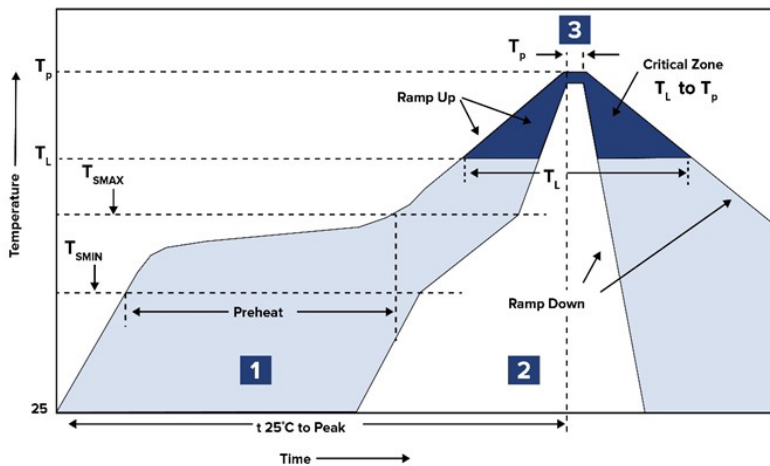


Table 1

SnPb Eutectic Process Classification Temperatures (T_c)		
Package Thickness	Volume mm ³ <350	Volume mm ³ ≥350
<2.5 mm	235 °C	220 °C
≥2.5 mm	220 °C	220 °C

Table 2

Pb-Free Process Classification Temperatures (T_c)			
Package Thickness	Volume mm ³ <350	Volume mm ³ 350-2000	Volume mm ³ >2000
<1.6 mm	260 °C	260 °C	260 °C
1.6 mm - 2.5 mm	260 °C	250 °C	245 °C
>2.5 mm	250 °C	245 °C	245 °C

Profile Feature	Sn-Pb Eutectic Assembly	Pb-Free Assembly
Preheat / soak		
Temperature minimum (T_{smin})	100°C	150°C
Temperature maximum (T_{smax})	150°C	200°C
Time (T_{smin} to T_{smax}) (t_s)	60 - 120 sec.	60 - 120 sec.
Average ramp-up rate (T_{smax} to T_p)	3°C/sec. max	3°C/sec. max
Liquidous temperature (T_L)	183°C	217°C
Time at liquidous (t_L)	60 - 150 sec.	60 - 150 sec.
Peak package body temperature (T_p)*	See Table 1	See Table 2
Time (t_p)** within 5°C of the specified classification temperature (T_c)	20 sec.	30 sec.
Ramp-down rate (T_p to T_{smax})	6°C/sec. max	6°C/sec. max
Time 25°C to peak temperature	6 min. max	8 min. max
Reflow cycles	2 max	2 max

*Tolerance for peak profile temperature (T_p) is defined as a supplier minimum and a user maximum.

**Tolerance for time at peak profile temperature (t_p) is defined as supplier minimum and a user maximum.

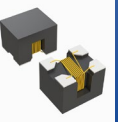


12117 Bee Caves Rd, Bldg-3, Suite 200
Bee Cave, TX 78738
Phone: 512-371-6159 Fax: 512-351-8858
For terms and conditions of sales, please visit:
www.abracon.com

REVISION: Initial Release
1/26/2026

ABRACON IS
ISO9001-2015
CERTIFIED

Signal Common Mode Chokes



ACMS-1210U3

Request Samples



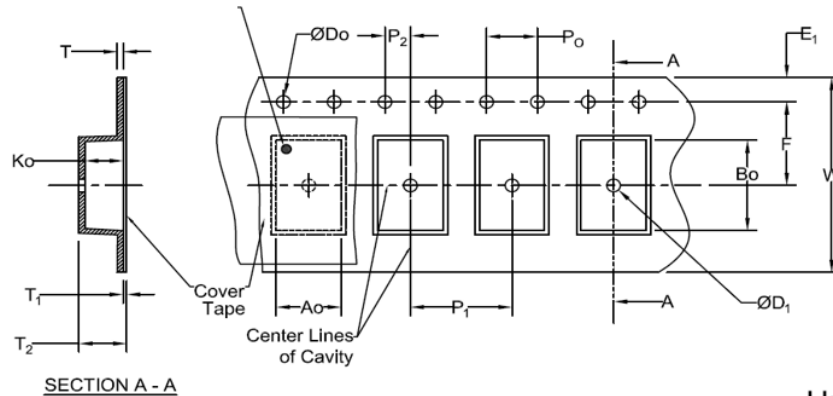
Check Inventory



1.2 x 1.0 x 0.9 mm
RoHS/RoHS II Compliant
MSL Level = 1

Packaging

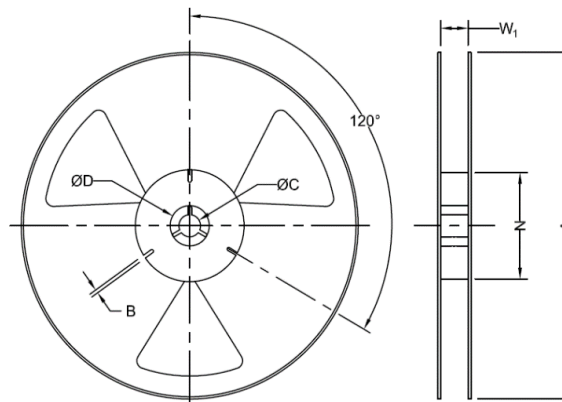
Tape & Reel: 3000 pcs/reel



Unit: mm

Tape Specifications (mm)

Width	Ao	Bo	Do	D ₁ (Min)	E ₁	F	Ko
	1.12±0.1	1.40±0.1	1.5+0.1/-0.0	*	1.75±0.1	3.5±0.05	1.05±0.1
8mm	P ₁	P ₂	P ₀	T (Max)	T ₁ (Max)	T ₂ (Max)	W (Max)
	4.0±0.1	2.0±0.05	4.0±0.1	0.22±0.1	*	*	8.1



Unit: mm

Reel Specifications (mm)

Width	Qty/Reel	A (Ref)	B (Min)	C (Min)	D (Min)	N (Ref)	*W ₁ (Ref)
8mm	3000	178	1.5	13.0+0.5/-0.2	20.2	60.0	9.0

ATTENTION: Abracon LLC's products are Commercial-Off-The-Shelf (COTS), which are designed, intended and validated for use in commercial, industrial and automotive applications. The customer is responsible for testing and verifying the performance of an Abracon solution to meet their system-level requirements.



12117 Bee Caves Rd, Bldg-3, Suite 200
 Bee Cave, TX 78738
 Phone: 512-371-6159 Fax: 512-351-8858
 For terms and conditions of sales, please visit:
www.abracon.com

REVISION: Initial Release
1/26/2026

ABRACON IS
 ISO9001-2015
 CERTIFIED