



NECTOR

TE Internal #: 2829495-1

TE Internal Description: CABLE ASSY, NECTOR M, 5P PANEL, PIN, UL

[View on TE.com >](#)

Cable Assemblies > Copper Cable Assemblies > Lighting Cable Assemblies

Wire Color (Base): **Black**

Cable Assembly Length: **.396 m [1.3 ft]**

Cable Assembly Type: **Nector M Pigtail**

Cable Assembly (End A): **Nector M Plug**

Number of Positions: **5**

Features

Product Type Features

Sealable	No
Cable Assembly Type	Nector M Pigtail
Cable Assembly (End A)	Nector M Plug

Configuration Features

Number of Positions	5
---------------------	---

Electrical Characteristics

Operating Voltage	600 VAC
-------------------	---------

Body Features

Wire Color (Base)	Black
Connector Color (End A)	Black

Mechanical Attachment

Mating Alignment Type	Keyed
-----------------------	-------

Other

Cable Assembly Length	.396 m[1.3 ft]
-----------------------	----------------

Product Compliance

[For compliance documentation, visit the product page on TE.com>](#)

EU RoHS Directive 2011/65/EU	Not Yet Reviewed
EU ELV Directive 2000/53/EC	Compliant
China RoHS 2 Directive MIIT Order No 32, 2016	No Restricted Materials Above Threshold
EU REACH Regulation (EC) No. 1907/2006	



Current ECHA Candidate List: JUNE 2025
(250)
Not Yet Reviewed

Halogen Content	Not Yet Reviewed for halogen content
Solder Process Capability	Not reviewed for solder process capability

Product Compliance Disclaimer

This information is provided based on reasonable inquiry of our suppliers and represents our current actual knowledge based on the information they provided. This information is subject to change. The part numbers that TE has identified as EU RoHS compliant have a maximum concentration of 0.1% by weight in homogenous materials for lead, hexavalent chromium, mercury, PBB, PBDE, DBP, BBP, DEHP, DIBP, and 0.01% for cadmium, or qualify for an exemption to these limits as defined in the Annexes of Directive 2011/65/EU (RoHS2). Finished electrical and electronic equipment products will be CE marked as required by Directive 2011/65/EU. Components may not be CE marked. Additionally, the part numbers that TE has identified as EU ELV compliant have a maximum concentration of 0.1% by weight in homogenous materials for lead, hexavalent chromium, and mercury, and 0.01% for cadmium, or qualify for an exemption to these limits as defined in the Annexes of Directive 2000/53/EC (ELV). Regarding the REACH Regulations, TE's information on SVHC in articles for this part number is still based on the European Chemical Agency (ECHA) 'Guidance on requirements for substances in articles' (Version: 2, April 2011), applying the 0.1% weight on weight concentration threshold at the finished product level. TE is aware of the European Court of Justice ruling of September 10th, 2015 also known as O5A (Once An Article Always An Article) stating that, in case of 'complex object', the threshold for a SVHC must be applied to both the product as a whole and simultaneously to each of the articles forming part of its composition. TE has evaluated this ruling based on the new ECHA "Guidance on requirements for substances in articles" (June 2017, version 4.0) and will be updating its statements accordingly.

Customers Also Bought



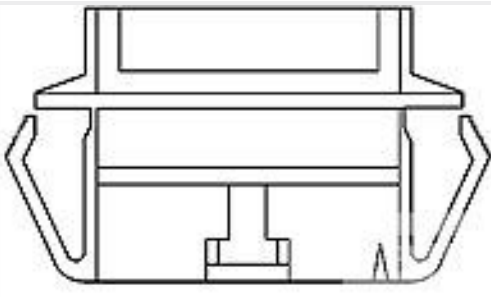
TE Part #HDT-04-10
CRIMP TOOL, HDT-04-10



TE Part #295893-000
55PC1131-20-0/2/9-9



TE Part #91547-1
CCII 53 SERIES TAPER PIN 24-22 ASSY



TE Part #103682-6
07 MTE PANEL MOUNT SR



TE Part #7-1423698-8
W68-X2Q12-15V=CKTBKR,MAGHYD, LEVER,QC.250



TE Part #6-1609091-4
1FBL3=F8540



TE Part #1625867-4
RP 1J 0.166W 205R 0.1% 25PPM 1K RL



TE Part #5-2337992-5
RJ45 JACK MAG. POE 1GB LED 1X1 INV.

