

AC to DC Power Supply External Plug In

pro-ELEC



Features

- 115V/230V AC input
- 24V DC voltage, 500mA rated current
- Interchangeable AC heads (UK, EU, US, and AUS)
- Over-current, over-voltage, and short circuit protection
- DC cable length of 1.5m, with a 2.1mm DC plug
- Supplied with AUS, EURO, UK, and US interchangeable heads
- UK type G, Euro type C, US type A and AUS type I mains plugs
- Multihead power supply as used in the UK, Europe and many other countries

RoHS
Compliant

Input Characteristics

Input Voltage

Rated Input Voltage : 100V AC to 240V AC
Input voltage range : 90V AC to 264V AC

Input Frequency

Rate Frequency : 50/60Hz
Frequency range : 47Hz to 63Hz

Input Current

0.6A max when input rated voltage and output rated load.

No-Load power: : 0.1W 115V/230V AC

In-rush Current

60A mps Max Cold start at 240Vac input ,with rated load and 25°C ambient.

AC Leakage Current

0.25mA Max. @ 240V AC input

Output Characteristics

Rated Output Power : 24W
Voltage : +24V
Max. Load : 1A
Load Regulation : 22.8V to 25.2V
Unload Output Voltage : 22.8V to 25.2V

Ripple & Noise

Measurement is done by 20MHz bandwidth oscilloscope and the output paralleled a 0.1uF ceramic capacitor and a 47uF electrolysis capacitor. (test under the condition of rated input and rated output)

Voltage : +24V
Current : 1000mA
Ripple And Noise (Max) : 180m Vp-p

Efficiency

115V AC /230V AC input, output rated load is 25%,50%,75%,100% 4 situations of average efficiency

Note: The rated load is aged for 30 minutes before the DC head is tested.

115V AC/230V AC input, the reference is 72.88%. Is 10% of the output rated load.

AC To DC Power Supply External Plug In

pro-ELEC

Load Regulation

The rated output load is 20%-100%, the input voltage is 100V-240V AC, and the load adjustment within the load range is less than $\pm 5\%$.

Turn On Delay Time

5 second Max .At 100V AC input and output Max. Load

Rise Time

100ms Max. At 100Vac input and output Max. Load, Output voltage 10%-90%

Hold Up Time

5ms Min.at100V AC input and output Max .Load.

Overshoot

10% Max. When power supply on or turn off.

Environmental Requirements

Operating Temperature	: 0°C to +35°C (Full Load, Normal operation)
Relative Humidity	: 5%(0°C)~90%(35°C) 72h (Full Load, Normal operation)
Storage temperature	: -20°C to +70°C
Storage Humidity	: 20% to 80%°C
With enclosure	: 20% to 80%

Mechanical Characteristics

The drop height of the wall-type product is: the wood floor is 1.2 meter, the fall of 6 faces, each face falls once, can not fall open, the product function and structure are normal, do 25kgf tensile test.

Safety Standard

Safety Accord with IEC62368-1, EN62368-1, UL62368-1, GB4943.1, J62368-1.

Note: AC pins corresponding corresponding corresponding to national standards, such as the CE that corresponds to EN62368-1

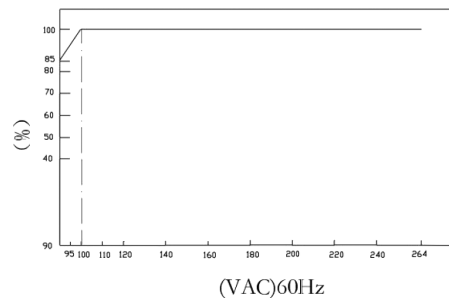
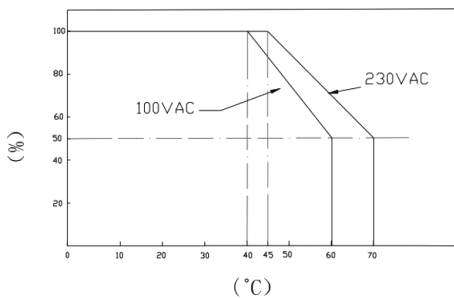
Dielectric Strength Hi-Pot

Primary to secondary, 4000V DC (or 3000V AC) /5mA/3s.

Insulation Resistance

Primary to secondary	: 10M Ω Min at 500V DC
Weight	: 1111g \pm 20g

Derating curve



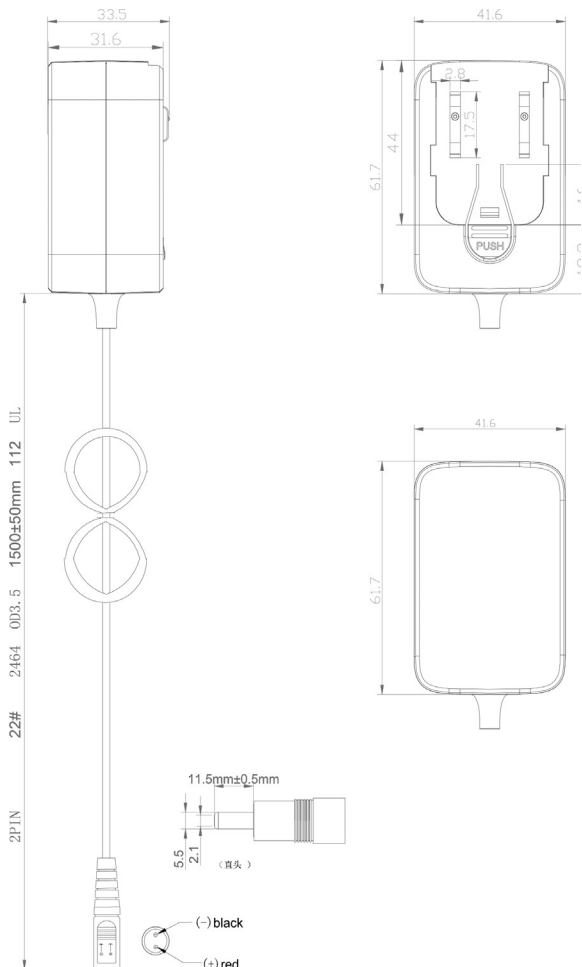
Newark.com/exclusive-brands
Farnell.com/exclusive-brands
Element14.com/exclusive-brands

pro-ELEC

AC to DC Power Supply External Plug In

pro-ELEC

Diagram



Part Number Table

Description	Part Number
AC To DC Power Supply, Universal PSU, 24W, 24V, 1A, 2.1mm	PELL0486

Dimensions : Millimetres

Important Notice : This data sheet and its contents (the "Information") belong to the members of the AVNET group of companies (the "Group") or are licensed to it. No licence is granted for the use of it other than for information purposes in connection with the products to which it relates. No licence of any intellectual property rights is granted. The Information is subject to change without notice and replaces all data sheets previously supplied. The Information supplied is believed to be accurate but the Group assumes no responsibility for its accuracy or completeness, any error in or omission from it or for any use made of it. Users of this data sheet should check for themselves the Information and the suitability of the products for their purpose and not make any assumptions based on information included or omitted. Liability for loss or damage resulting from any reliance on the Information or use of it (including liability resulting from negligence or where the Group was aware of the possibility of such loss or damage arising) is excluded. This will not operate to limit or restrict the Group's liability for death or personal injury resulting from its negligence. pro-ELEC is the registered trademark of Premier Farnell Limited 2019.

Newark.com/exclusive-brands
Farnell.com/exclusive-brands
Element14.com/exclusive-brands

pro-ELEC