

# AC to DC Power Supply External Plug In

pro-ELEC

RoHS  
Compliant



## Features

- 90V AC to 264V AC input
- 12V DC voltage, 2A rated current
- Over-current, over-voltage, and short circuit protection
- IEC C14 input connector (requires mains lead with IEC C13 plug)
- DC cable length of 1.5m, with a 2.1mm DC plug

## Input Characteristics

### Input Voltage

Rated Input Voltage : 100V AC to 240V AC  
Input voltage range : 90V AC to 264V AC

### Input Frequency

Rate Frequency : 50/60Hz  
Frequency range : 47Hz to 63Hz

### Input Current

1.5A max when input rated voltage and output rated load.

Unload Standby Power : 0.1W Max

### In-rush Current

60A mps Max Cold start at 240Vac input ,with rated load and 25°C ambient.

### AC Leakage Current

3.5mA Max. @ 240V AC input

## Output Characteristics

Rated Output Power : 24W  
Voltage : +12V  
Max. Load : 2A  
Load Regulation : 11.4V to 12.6V  
Unload Output Voltage : 11.4V to 12.6V

### Ripple & Noise

Measurement is done by 20MHz bandwidth oscilloscope and the output paralleled a 0.1uF ceramic capacitor and a 47uF electrolysis capacitor. (test under the condition of rated input and rated output)

Voltage : +12V  
Current : 2000mA  
Ripple And Noise (Max) : 120m Vp-p

### Efficiency

115VAC /230VAC input, output rated load is 25%,50%,75%,100% 4 situations of average efficiency  
115VAC/230VAC input, the reference is 72.88%. Is 10% of the output rated load.

# AC To DC Power Supply External Plug In

pro-ELEC

## Load Regulation

The line regulation of rated output voltage is less than  $\pm 0.5\%$  while measuring at rated load and 100V ~ 240V of input voltage changing.

## Turn On Delay Time

3 second Max .At 100V AC input and output Max. Load

## Rise Time

100ms Max. At 100V AC input and output Max. Load

## Hold Up Time

5ms Min.at100V AC input and output Max .Load.

## Overshoot

10% Max. When power supply on or turn off.

## Environmental Requirements

Operating Temperature	: 0°C to +40°C (Full Load, Normal operation)
Relative Humidity	: 5% (0°C) to 90% (40°C) 72h (Full Load, Normal operation)
Storage temperature	: -20°C to +70°C
Storage Humidity	: 20% to 80%°C
With enclosure	: 20% to 80%

## Mechanical Characteristics

Desktop products fall height: wood floor 0.75 meters, fall 6 surfaces, each surface fall once, can not fall open, product function and structure is normal, do not do tension test.

## Safety Standard

Safety Accord with IEC62368-1, EN62368-1, UL62368, J62368, GB4943.

Note: AC pins corresponding corresponding corresponding to national standards, such as the CE that corresponds to EN62368-1; 2500V DC

## Dielectric Strength Hi-Pot

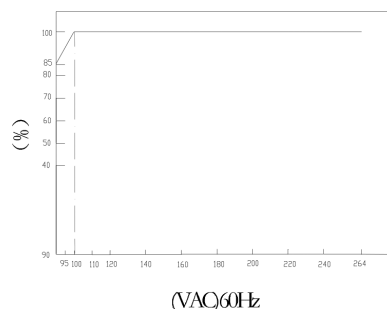
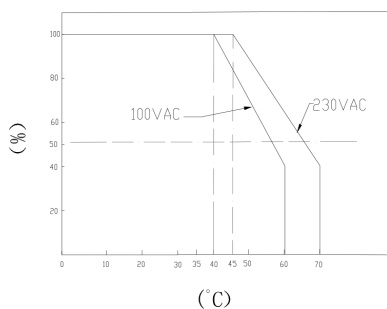
Primary to secondary, 2500V DC/5mA/3s.

## Insulation Resistance

Primary to secondary : 100M $\Omega$  Min at 500V DC

Weight : 152g  $\pm$ 10g

## Derating curve



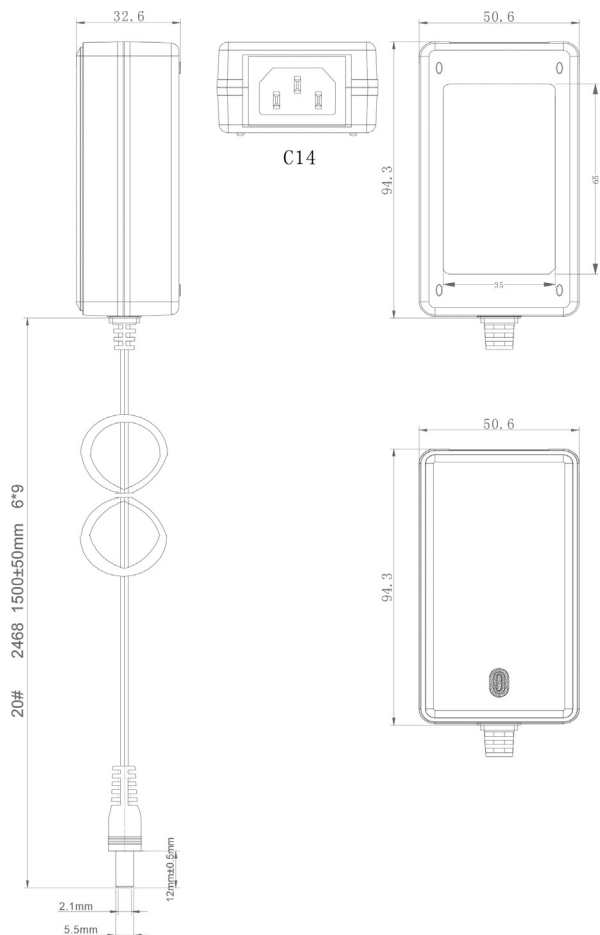
Newark.com/exclusive-brands  
Farnell.com/exclusive-brands  
Element14.com/exclusive-brands

pro-ELEC

# AC to DC Power Supply External Plug In

pro-ELEC

## Diagram



## Part Number Table

Description	Part Number
AC To DC Power Supply, Desktop PSU, 24W, 12V, 2A, C14, 2.1mm	PELL0495

Dimensions : Millimetres

**Important Notice :** This data sheet and its contents (the "Information") belong to the members of the AVNET group of companies (the "Group") or are licensed to it. No licence is granted for the use of it other than for information purposes in connection with the products to which it relates. No licence of any intellectual property rights is granted. The Information is subject to change without notice and replaces all data sheets previously supplied. The Information supplied is believed to be accurate but the Group assumes no responsibility for its accuracy or completeness, any error in or omission from it or for any use made of it. Users of this data sheet should check for themselves the Information and the suitability of the products for their purpose and not make any assumptions based on information included or omitted. Liability for loss or damage resulting from any reliance on the Information or use of it (including liability resulting from negligence or where the Group was aware of the possibility of such loss or damage arising) is excluded. This will not operate to limit or restrict the Group's liability for death or personal injury resulting from its negligence. pro-ELEC is the registered trademark of Premier Farnell Limited 2019.

Newark.com/exclusive-brands  
Farnell.com/exclusive-brands  
Element14.com/exclusive-brands

pro-ELEC