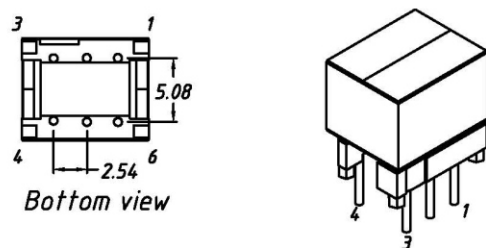
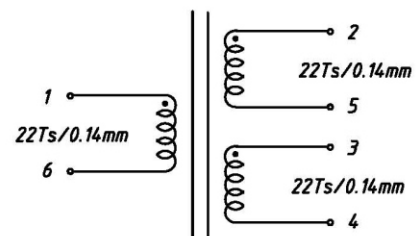


Mechanical Dimensions : (mm)



Bottom view

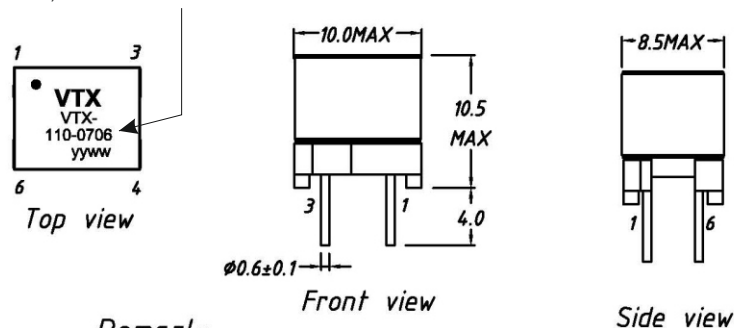
Coil structure and schematic



UK Materials:

1. Bobbin SS EP7 Ferroxcube 6 Pin, CSH-EP7-1S-6P-B
2. Ferroxcube Core AL 1000 ± 25% (No Gap), 4322-025-0840
3. Wire: CU Wire 0.140 Pu1, class H.
4. Clip Ferroxcube, CLI-EP7
5. Tape: 3M No.56, 3mm

Date code: YYWW
YY=Year, WW=Week Number.



Top view

Front view

Side view

Electrical Specifications:

Inductance : L1-6=360-605 uH @1KHz 0.27V

D.C.Resistance : 1-6= 0.41 ohms ±15%

2-5= 0.38 ohms ±15%

3-4= 0.45 ohms ±15%

Turns Ratio: 1: 1: 1%±2%

Hi-Pot : coil-coil: 1000Vac/3mA/2Seconds

Bobbin: EP-0701-1/PM9820.

Core: EP7-P3.

Wire: 1UEW-F/155C.

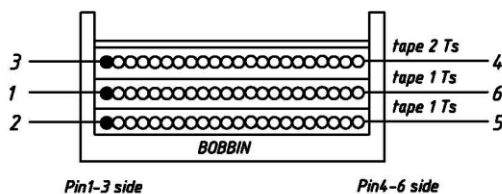
Tape: JY25-A1/ 130C.

Varnish: T4260GK/155C.

Remark:

1. Fixed core with 2ts tape

Winding Construction:



Pin1-3 side

Pin4-6 side

Not to scale



VIGORTRONIX
16 De Havilland Way
Windrush Park, Witney
Oxon, OX29 0YG, UK
Tel: +44 (0)1993 777570
Fax: +44 (0)1993 777580
www.vigortronix.com

DRAWING

Ep7 Pulse, Ratio: 1+1+1

Issue	Date	Drawn	PCN No	Checked
1	02-09-14	GPH		
2				
3				

DRAWING NUMBER

VTX-110-0706