

## STRADA

TE Internal #: 2-2057470-8

TE Internal Description: STRADA MESA,HD,ST,032,084,06,PB,Y,28

[View on TE.com >](#)

Connectors &gt; PCB Connectors &gt; PCB Headers &amp; Receptacles

PCB Connector Type: **PCB Mount Header**Connector System: **Board-to-Board**Number of Positions: **199**Centerline (Pitch): **1.5 mm, 2.5 mm, 3.1 mm, 6.2 mm [ .06 in, .1 in, .12 in, .24 in ]**PCB Mount Orientation: **Vertical**

## Features

### Product Type Features

PCB Connector Type	PCB Mount Header
Connector System	Board-to-Board
Header Type	Fully Shrouded
Sealable	No
Connector & Contact Terminates To	Printed Circuit Board

### Configuration Features

Number of Pairs	32
Number of Loaded Positions	193
Stackable	Yes
Pairs per Column	8
Number of Positions	199
PCB Mount Orientation	Vertical
Board-to-Board Configuration	Parallel
Number of Power Positions	6
Number of Signal Positions	8

### Electrical Characteristics

Impedance	100 $\Omega$
Insulation Resistance	1000 M $\Omega$
Dielectric Withstanding Voltage (Max)	750 VAC
Operating Voltage	6 VDC

### Signal Characteristics

Data Rate	16 Gb/s
-----------	---------

### Body Features

Primary Product Color	Black
-----------------------	-------

### Contact Features

Mating Tab Width	.69 mm, 4.5 mm [.027 in][.177 in]
Contact Shape & Form	Round
Contact Layout	Staggered
Contact Base Material	Copper Alloy
Mating Tab Thickness	.3 mm, .41 mm [.011 in][.015 in]
Contact Mating Area Plating Material	Gold Flash
Contact Type	Pin
Contact Current Rating (Max)	1.5 A
PCB Contact Termination Area Plating Material	Tin-Lead
Contact Mating Area Plating Material Thickness	.76 $\mu$ m [30 $\mu$ in]

### Termination Features

Rectangular Termination Post & Tail Width	.43 mm, .73 mm [.016 in][.029 in]
Rectangular Termination Post & Tail Thickness	.15 mm, .3 mm [.005 in][.011 in]
Termination Post & Tail Length	1.45 mm, 2.05 mm [.057 in][.08 in]
Termination Method to PCB	Through Hole - Press-Fit

### Mechanical Attachment

Mating Retention	With
Connector Mounting Type	Board Mount
Mating Alignment	With
PCB Mount Alignment	Without
PCB Mount Retention	Without

### Housing Features

Centerline (Pitch)	1.5 mm, 2.5 mm, 3.1 mm, 6.2 mm [.06 in][.1 in][.12 in][.24 in]
Housing Material	Liquid Crystal Polymer (LCP) (High Temp Thermoplastic)

### Dimensions

--	--

Connector Height	27.8 mm[1.093 in]
Stack Height	28 mm[1.102 in]
PCB Thickness (Recommended)	1.57 mm[.8 in]

### Operation/Application

Circuit Application	Power & Signal
---------------------	----------------

### Industry Standards

UL Flammability Rating	UL 94V-0
------------------------	----------

### Packaging Features

Packaging Quantity	24
Packaging Method	Tray

## Product Compliance

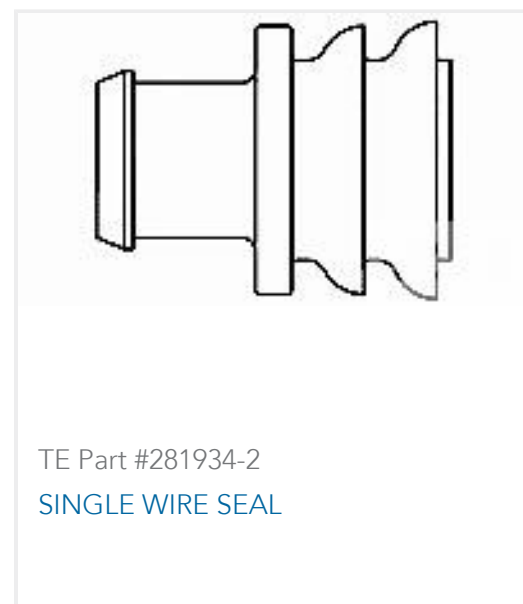
[For compliance documentation, visit the product page on TE.com>](#)

EU RoHS Directive 2011/65/EU	Not Compliant
EU ELV Directive 2000/53/EC	Compliant with Exemptions
China RoHS 2 Directive MIIT Order No 32, 2016	有害物质含量超出标准 Restricted Substance(s) Above Threshold
EU REACH Regulation (EC) No. 1907/2006	Current ECHA Candidate List: JUNE 2025 (250) Candidate List Declared Against: JUN 2012 (84) SVHC > Threshold: Not Yet Reviewed
Halogen Content	Low Halogen - Br, Cl, F < 900 ppm per homogenous material. Also BFR/CFR/PVC Free
Solder Process Capability	Not applicable for solder process capability

#### Product Compliance Disclaimer

This information is provided based on reasonable inquiry of our suppliers and represents our current actual knowledge based on the information they provided. This information is subject to change. The part numbers that TE has identified as EU RoHS compliant have a maximum concentration of 0.1% by weight in homogenous materials for lead, hexavalent chromium, mercury, PBB, PBDE, DBP, BBP, DEHP, DIBP, and 0.01% for cadmium, or qualify for an exemption to these limits as defined in the Annexes of Directive 2011/65/EU (RoHS2). Finished electrical and electronic equipment products will be CE marked as required by Directive 2011/65/EU. Components may not be CE marked. Additionally, the part numbers that TE has identified as EU ELV compliant have a maximum concentration of 0.1% by weight in homogenous materials for lead, hexavalent chromium, and mercury, and 0.01% for cadmium, or qualify for an exemption to these limits as defined in the Annexes of Directive 2000/53/EC (ELV). Regarding the REACH Regulation, the information TE provides on SVHC in articles for this part number is based on the latest European Chemicals Agency (ECHA) 'Guidance on requirements for substances in articles' posted at this URL: <https://echa.europa.eu/guidance-documents/guidance-on-reach>

## Customers Also Bought



## Documents

### CAD Files

#### Customer View Model

[ENG\\_CVM\\_CVM\\_2-2057470-8\\_A.2d\\_dxf.zip](#)

English

#### 3D PDF

3D

#### Customer View Model

[ENG\\_CVM\\_CVM\\_2-2057470-8\\_A.3d\\_igs.zip](#)

English

#### Customer View Model

[ENG\\_CVM\\_CVM\\_2-2057470-8\\_A.3d\\_stp.zip](#)

English

By downloading the CAD file I accept and agree to the [Terms and Conditions](#) of use.

### Datasheets & Catalog Pages

[Stacking Connectors Quick Reference Guide \(English\)](#)

English

### Product Specifications

[Application Specification](#)

English

[Application Specification](#)

English