

## Signal Beacons and Traffic Lights / Signal lights LineLIGHT Fusion 100 24V RGB Clip



<b>Part No.:</b>	<b>300.100.01</b>
<b>Series:</b>	<b>LineLIGHT</b>



### MECHANICAL DATA

Length	145 mm
Width	33 mm
Height	23 mm
Materials	Aluminium PC Stainless steel
Dome colour	Tranlucent
Housing colour	Black
Protection category	IP54 IP65
Connection	M12 plug 5-pole
Type of fixing	Built-in mounting
Working temperature minimum	-30°C
Working temperature maximum	+50°C
Weight with packaging	153 g
Product weight	105 g
Min. Tightening torque	0.3Nm
Max. Tightening torque	0.6Nm

### ELECTRICAL DATA

Operating voltage	24V
Operating voltage type	DC
Operating voltage tolerance	+/- 10%
Rated operational voltage	24 VDC
Rated operational current	110 mA
Protection class	Protection class 3
Pollution degree	3 In the connection area: 2
Overtoltage category	I

### OPTICAL DATA

Light source	LED
Light colour	MC 7 colours
Optical signal image	Permanent
Length illuminated area (mm)	100
Service life optical	50,000 h maximum

### APPROVAL DATA

Conforms with CE	Yes
Conforms with RoHS directive	Yes

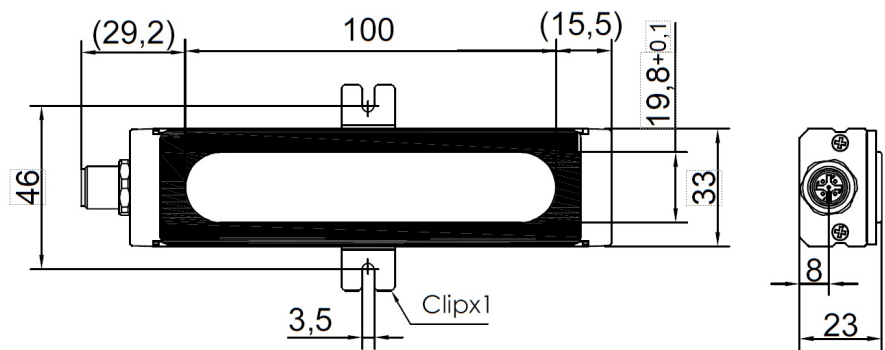


For additional installation and mounting information, refer to the appropriate user guide at [www.werma.com](http://www.werma.com). This printed copy is for information only and is subject to alteration.

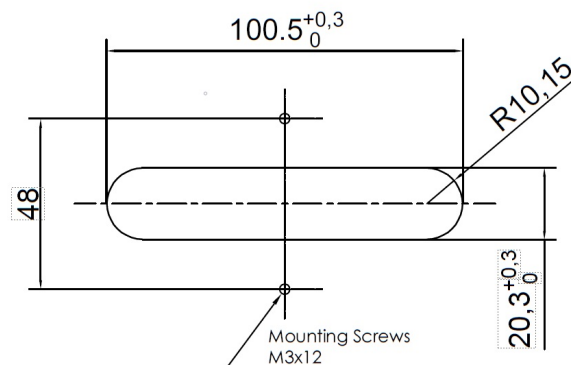
Signal Beacons and Traffic Lights / Signal lights  
**LineLIGHT Fusion 100 24V RGB Clip**

WEEE	Yes
Conforms with RED directive	No
Conforms with ATEX-directive	No
Conforms with CCC-Ex	No
Conforms with CCC	No
Conforms with UL	No
Conforms with FCC	No
Conforms with ISED	No
EAC certificate available	No
Conforms with UKCA (Importer)	Yes (WERMA (UK) Ltd.)
Conforms with CMIM	No
Conforms with AS-I	No
Conforms with DNV	No
Conforms with RoHS CN	25 years
Conforms with VdS	No

**DRAWING**



Mounting Diagram\_Clip



! For additional installation and mounting information, refer to the appropriate user guide at [www.werma.com](http://www.werma.com). This printed copy is for information only and is subject to alteration.