

# LMT043DNFFWD-NCN

## LCD Module User Manual

Prepared by:  <b>Li Keke</b>  Date: 2021-07-23	Checked by:    Date:	Approved by:    Date:
--	----------------------------------	-----------------------------------

Rev.	Descriptions	Release Date
0.1	New release	2019-08-29
0.2	add SPI Mode Timing	2021-07-23

## Table of Content

<b>1. GENERAL SPECIFICATION.....</b>	<b>3</b>
<b>2. BLOCK DIAGRAM.....</b>	<b>3</b>
<b>3. TERMINAL FUNCTIONS.....</b>	<b>4</b>
<b>4. ABSOLUTE MAXIMUM RATINGS.....</b>	<b>4</b>
<b>5. ELECTRICAL CHARACTERISTICS.....</b>	<b>5</b>
5.1 DC CHARACTERISTICS.....	5
<b>6. AC CHARACTERISTICS.....</b>	<b>5</b>
6.1 8080 MODE TIMING.....	5
6.2 SPI MODE TIMING.....	6
6.3 RESET TIMING.....	8
<b>7. OPTICAL CHARACTERISTICS.....</b>	<b>8</b>
<b>8. FUNCTION SPECIFICATIONS.....</b>	<b>10</b>
8.1 COMMAND SUMMARY.....	10
<b>9. LCD MODULE DESIGN AND HANDLING PRECAUTIONS.....</b>	<b>13</b>
<b>10. CTP MOUNTING INSTRUCTIONS.....</b>	<b>14</b>
<b>11. RTP MOUNTING INSTRUCTIONS.....</b>	<b>15</b>

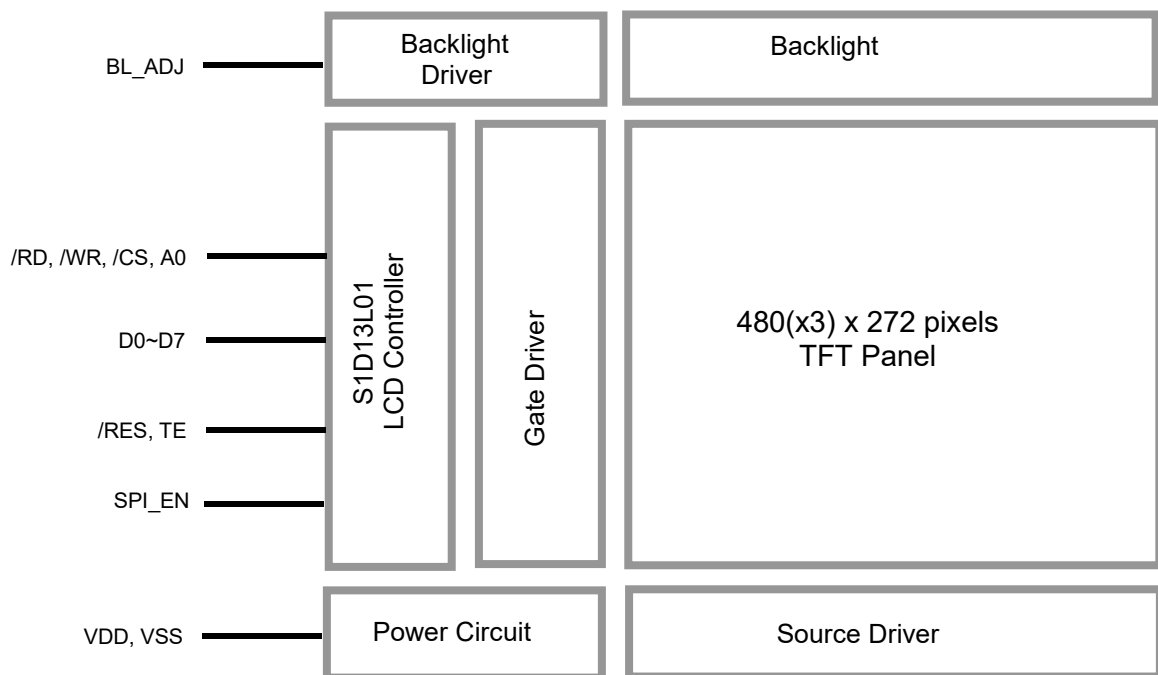
[Intelligent Display Solutions](#), Unit 2, Berkshire Business Centre, Berkshire Drive, Thatcham, Berkshire, RG19 4EW  
Telephone : +44 (0)1635 294600 Fax : +44 (0)1635 869200 Email: [info@i-lcd.com](mailto:info@i-lcd.com)  
[www.i-lcd.com](http://www.i-lcd.com) A division of Intelligent Group Solutions Ltd

## 1. General Specification

Screen Size(Diagonal) :	4.3 inch
Resolution :	480(RGB) x 272
Interface :	8bit MCU Interface
Color Depth :	16.7M color (24bit)
Dot Pitch :	0.198 x 0.198 (mm)
Pixel Configuration :	RGB Stripe
Display Mode :	Transmissive / Positive
Surface Treatment :	Anti-Glare Treatment
Viewing Direction :	12 o'clock ( gray scale inverse )
Outline Dimension :	121.0x70.0x12.2 (mm)
Active Area :	95.4 x 53.86 (mm)
Backlight :	LED, White
Operating Temperature :	-20 ~ +70°C
Storage Temperature :	-30 ~ +80°C

*Note: Backlight color may slightly change over temperature and driving voltage.*

## 2. Block Diagram



### 3. Terminal Functions

Terminal (K1)

Pin No.	Pin Name	I/O	8bit MCU Mode (Default) Description	SPI Mode Description
1	VSS	Power Input	Power Supply GND (0V)	
2				
3	VDD	Power Input	Positive Power Supply(3.3V)	
4				
5	A0	Input	Access Mode A0=High: Accessing Data A0=Low: Accessing Address	Keep open
6	/CS	Input	Chip Select /CS=Low: Data IO is enabled	
7	/RES	Input	Reset /RES=Low: Reset /RES=High: Normal operation	
8	D0(SI)	Bi-directional I/O	8-bit Bi-directional data bus	Serial input
9	D1(SO)			Serial output
:	:			Keep open
14	D6			Keep open
15	D7			Keep open
16	TE	Output	TE Signal	
17	/RD	Input	Read Enable, active Low	Keep open
18	/WR(SCK)	Input	Write Enable, active Low	Serial clock
19	BL_ADJ	Input	Backlight Driver enable signal, active High, PWM(*2)can be possible	
20	SPI_EN	Input	Keep open	SPI Enable, active high
21	NC	-	No connection	
22	NC	-	No connection	
23	NC	-	No connection	
24	NC	-	No connection	
25	NC	-	No connection	
26	NC	-	No connection	

Note.

\*1. Tear signal may leave open when not use

\*2. The PWM frequency is between 200Hz and 500Hz.

\*3. Pulled-up by internal resistor

### 4. Absolute Maximum Ratings

Items	Symbol	Min.	Max.	Unit	Condition
Supply Voltage	V <sub>DD</sub>	-0.2	3.7	V	V <sub>SS</sub> = 0V
Input Voltage	V <sub>IN</sub>	-0.2	3.7	V	V <sub>SS</sub> = 0V
Operating Temperature	T <sub>OP</sub>	-20	+70	°C	No Condensation
Storage Temperature	T <sub>ST</sub>	-30	+80	°C	No Condensation

Caution:

Any Stresses exceeding the Absolute Maximum Ratings may cause substantial damage to the device. Functional operation of this device at other conditions beyond those listed in the specification is not implied and prolonged exposure to extreme conditions may affect device reliability.

## 5. Electrical Characteristics

### 5.1 DC Characteristics

$V_{SS}=0V, V_{DD}=3.3V, T_{OP}=25^{\circ}C$

Items	Symbol	MIN.	TYP.	MAX.	Unit	Applicable Pin
Operating Voltage	$V_{DD}$	2.8	3.3	3.6	V	VDD
Input High Voltage	$V_{IH}$	-	-	VDD	V	Input pins, Bi-direction pins
Input Low Voltage	$V_{IL}$	VSS	-	-	V	Input pins, Bi-direction pins
Output High Voltage	$V_{OH}$	2.6	-	-	V	Bi-direction pins (*1)
Output Low Voltage	$V_{OL}$	-	-	0.6	V	Bi-direction pins (*2)
Operating Current	$I_{DD}$	-	230	500	mA	On Backlight Power on status

Note:

- \*1. Never Apply logic signal before the VDD supply.
- \*2. VDD setting should match the signals voltage

## 6. AC Characteristics

### 6.1 8080 Mode Timing

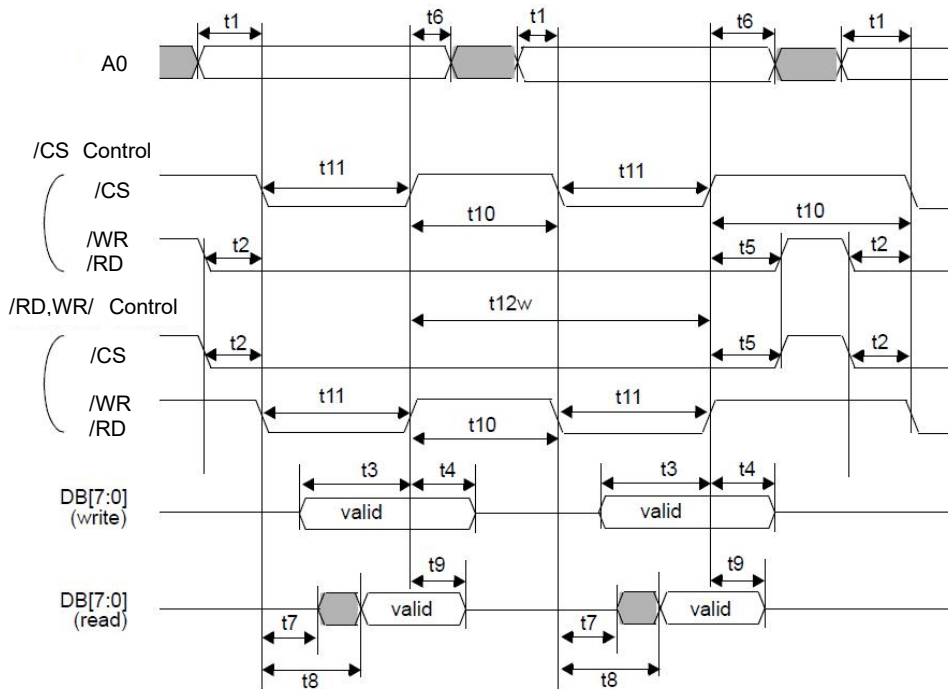


Figure 2

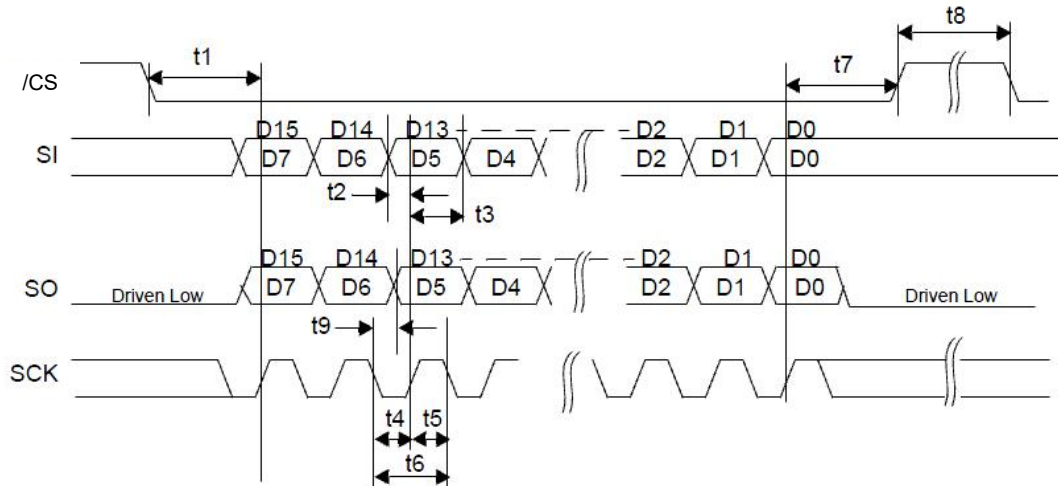
Symbol	Parameter	3.3 Volt		Units
		Min	Max	
$t_1$	A0 setup time to /CS (/WR, /RD)	1	-	ns
$t_2$	/WR, /RD (/CS) setup time to /CS (/WR, /RD)	1	-	ns
$t_3$	DB[7:0] setup time to /CS (/WR) rising edge: write cycle	1	-	ns
$t_4$	DB[7:0] hold time from /CS (/WR) rising edge: write cycle	7	-	ns
$t_{5w}$	/WR (/CS) hold time from /CS (/WR) rising edge: write cycle	3	-	ns
$t_{5r}$	/RD (/CS) hold time from /CS (/RD) rising edge: read cycle	0	-	ns
$t_6$	A0 hold time from /CS (/WR, /RD) rising edge	4	-	ns
$t_7$	/CS (/RD) falling edge to DB[7:0] driven: read cycle	-	15	ns
$t_8$	/CS (/RD) falling edge to valid Data: read cycle	-	$4 \times T_{mclk} + 17$	ns
$t_9$	DB[7:0] hold time from /CS (/RD) rising edge: read cycle	2	12	ns
$t_{10w}$	End of write to next read/write	5	-	ns
$t_{10r}$	End of read to next read/write	$T_{mclk} + 9$	-	ns
$t_{11w}$	/CS (/WR) pulse width for write cycle	3	-	ns
$t_{12w}$	/CS (/WR) rise to next /CS (/WR) rise: write cycle	$3 \times T_{mclk} + 6$	-	ns

- Note: 1.  $T_{mclk}$  = period of internal MCLK clock signal.  
 2. Please refer to S1D13L01 datasheet for details

Indirect 8-bit Function Select:

A0	/WR	/RD	Comments
0	0	1	Command Write (register address)
1	0	1	Data (Parameter) Write
0	1	0	inhibit
1	1	1	Data (Parameter) Read

6.2 SPI Mode Timing

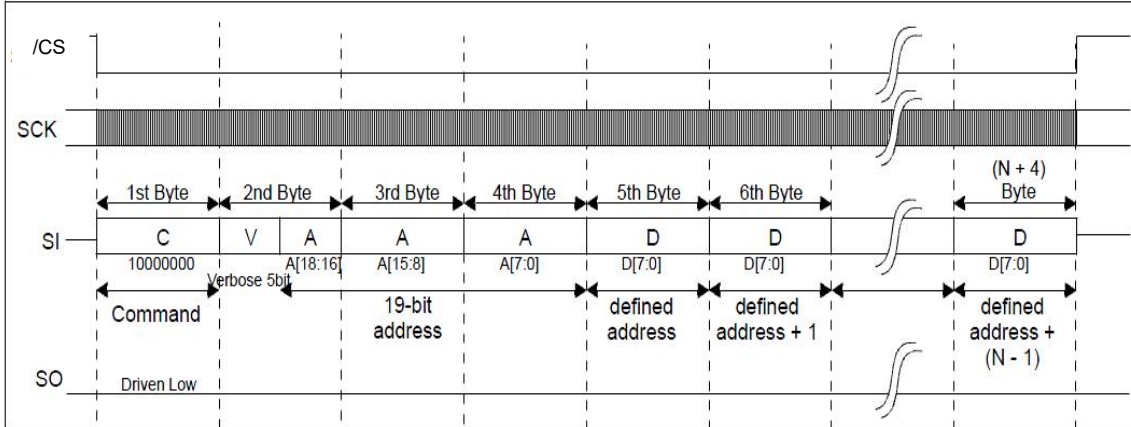


Symbol	Parameter	3.3 Volt		Units
		Min	Max	
t1	Chip select setup time	2	-	ns
t2	SI Data setup time	1	-	ns
t3	SI Data hold time	7	-	ns
t4	Serial clock pulse width low (high)	15	-	ns
t5	Serial clock pulse width high (low)	15	-	ns
t6	Serial clock period	30	-	ns
t7	Chip select hold time	7	-	ns
t8	Chip select de-assert to reassert	2	-	ns
t9	SCK falling edge to SO hold time	3	10	ns

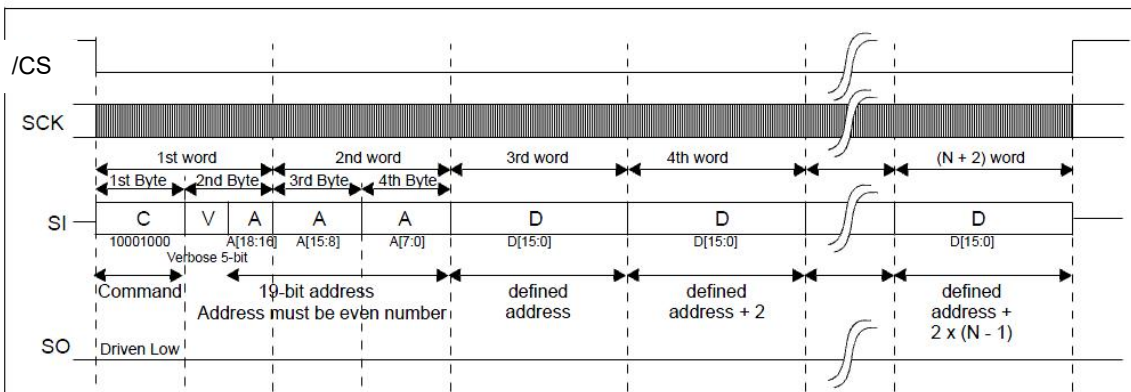
Note: 1.  $C_L = 10pF$  for SPI timing.  
 2. Please refer to S1D13L01 datasheet for details.  
 3. SPI Function Select

Command	Comments
10000000	8-bit Write
11000000	8-bit Read
10001000	16-bit Write
11001000	16-bit Read
the other	reserved

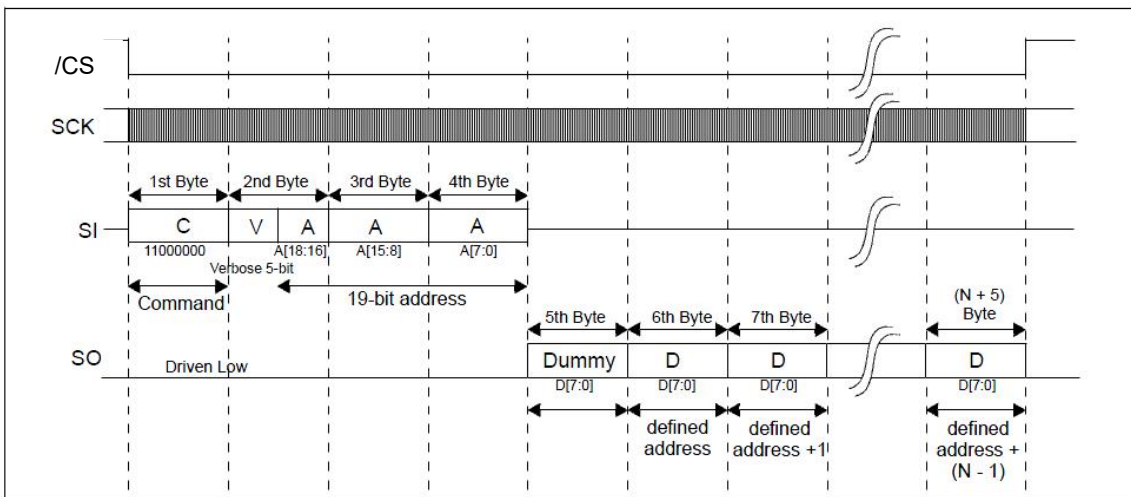
Write Procedure:  
SPI 8bit Write Sequence:



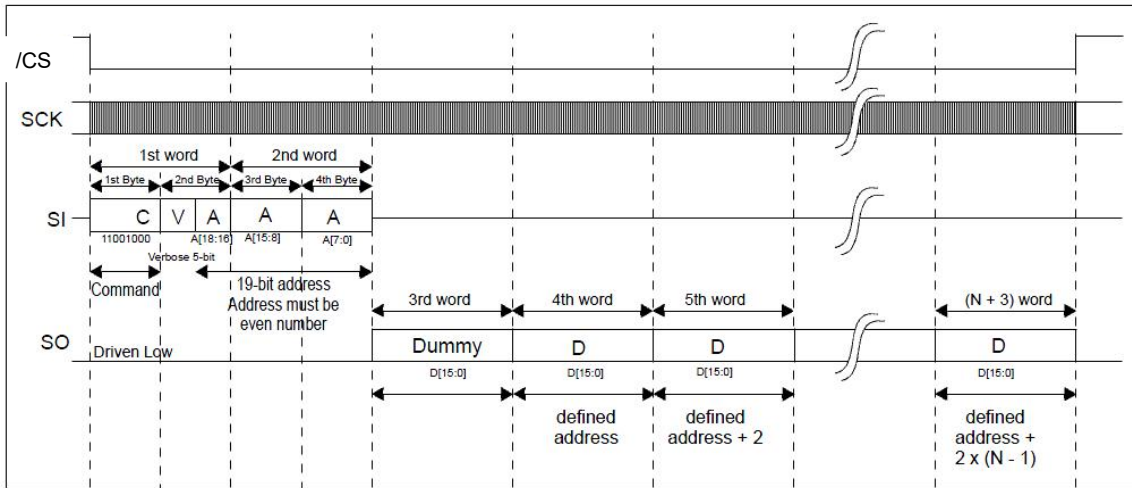
SPI 16bit Write Sequence:



Read Procedure:  
SPI 8bit Read Sequence:



SPI 16bit Read Sequence:



Please refer to S1D13L01 datasheet for details.

### 6.3 Reset Timing

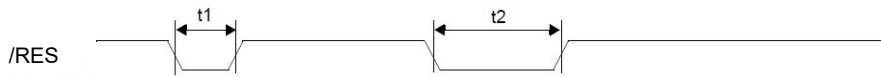


Figure 8

Symbol	Parameter	Min	Max	Units
t1	Reset Pulse Width is ignored	-	42	ns
t2	Active Reset Pulse Width (see Note)	150	-	ns

Note: The Reset input should be held low for longer than 150ns to guarantee reset.

For more information and details please refer to LCD controller (S1D13L01) datasheet.

## 7. Optical Characteristics

Item	Symbol	Condition	MIN.	TYP.	MAX.	UNIT	Note.	
Viewing angle	$\theta_T$	(CR $\geq$ 10)	60	70	-	degree	Note 2	
	$\theta_B$		40	50	-			
	$\theta_L$		60	70	-			
	$\theta_R$		60	70	-			
Contrast ratio	CR	$\theta=0^\circ$	400	500	-	-	Note 1,3	
Response Time	$T_{on}$	25°C	-	20	30	msec	Note 1,4	
	$T_{off}$		-	-	-	msec		
Chromaticity	White	Backlight is on	X	0.265	0.315	0.365		Note 1,5
			Y	0.285	0.335	0.385		
	Red		X	0.531	0.581	0.631		
			Y	0.295	0.345	0.395		
	Green		X	0.298	0.348	0.395		
			Y	0.531	0.581	0.631		
	Blue		X	0.103	0.153	0.203		
			Y	0.045	0.095	0.145		
NTSC			-	50		%	Note 5	
Luminance uniformity	U		-	75	-	%	Note 1,7	
Luminance	L			400	-	cd/m <sup>2</sup>		

**Note:**

The parameter is slightly changed by temperature, driving voltage and material  
Please see the Notes for testing conditions

**Note 1:**

The data are measured after LEDs are turned on for 5 minutes. LCM displays full white. The brightness is the average value of 9 measured spots. Measurement equipment PR-705 (Φ8mm)

Measuring condition:

- Measuring surroundings: Dark room
- Measuring temperature: Ta=25°C.
- Adjust operating voltage to get optimum contrast at the center of the display.

Measured value at the center point of LCD panel after more than 5 minutes while backlight turning on.

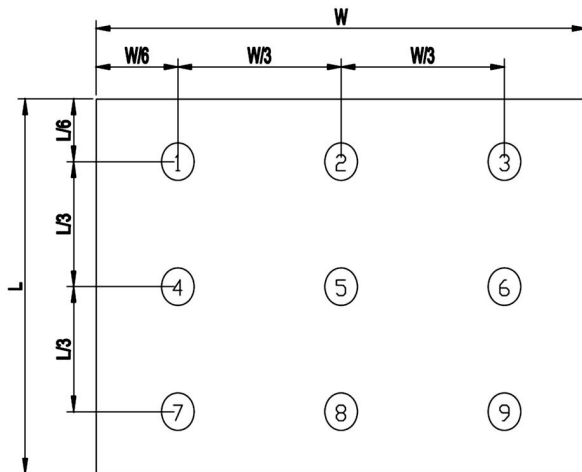


Figure 9

**Note 2: reference Figure5**

The luminance uniformity is calculated by using following formula.

$$\Delta Bp = Bp (\text{Min.}) / Bp (\text{Max.}) \times 100 (\%)$$

Bp (Max.) = Maximum brightness in 9 measured spots

spots

Bp (Min.) = Minimum brightness in 9 measured spots.

**Note 3: reference Figure6**

The definition of viewing angle:

Refer to the graph below marked by  $\theta$  and  $\phi$

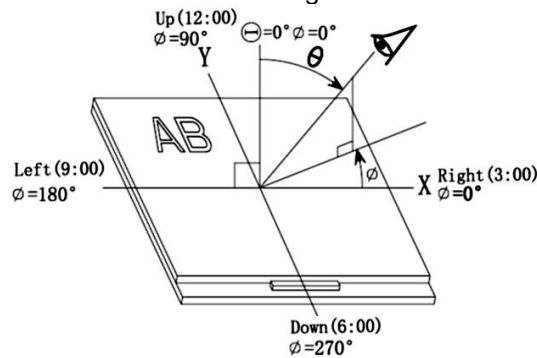


Figure 10

**Note 4:**

The definition of contrast ratio (Test LCM using PR-705):

$$\text{Contrast Ratio (CR)} = \frac{\text{Luminance When LCD is at "White" state}}{\text{Luminance When LCD is at "Black" state}}$$

(Contrast Ratio is measured in optimum common electrode voltage)

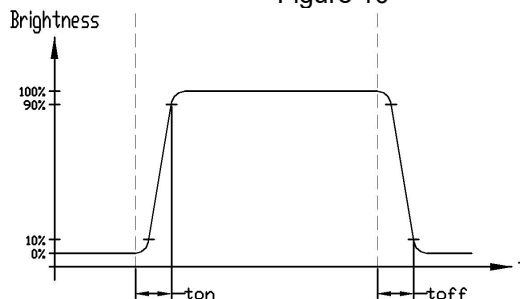


Figure 11

**Note 5: reference Figure7**

Definition of Response time. (Test LCD using DMS501):

The output signals of photo detector are measured when the input signals are changed from "black" to "white"(falling time) and from "white" to "black"(rising time), respectively.

The response time is defined as the time interval between the 10% and 90% of amplitudes. Refer to figure as below.

**Note 6: reference Figure8**

Definition of Color of CIE Coordinate and NTSC Ratio.

Color gamut:

$$S = \frac{\text{Area of RGB triangle}}{\text{Area of NTSC triangle}} \times 100\%$$

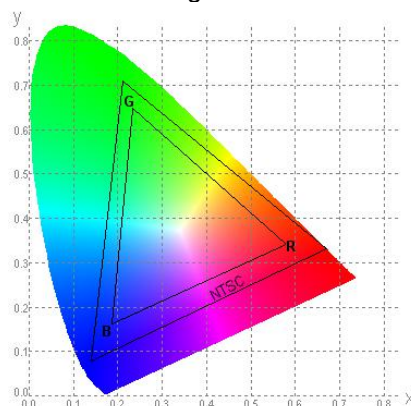


Figure 12

## 8. Function Specifications

### 8.1 Command Summary

Command	Parameter	HEX	A0	/CS	/WR	D7	D6	D5	D4	D3	D2	D1	D0	Descriptions
Power Save	P1	60804	0	0	0	A[7:0]-> A[15:8] -> A[18:16]							Power Save Configuration Register	
	P2	D[7:0]	1	0	0	n/a	n/a	n/a	n/a	n/a	n/a	n/a	Power Save	Bit[1:0] = 00 , PSM0 mode
		D[15:8]	1	0	0	n/a	n/a	n/a	n/a	n/a	n/a	n/a	n/a	Bit[1:0] = 01 , PSM1 mode Bit[1:0] = 1x , NMM mode
Software Reset	P1	60806	0	0	0	A[7:0]-> A[15:8] -> A[18:16]							Software Reset Register(Write Only)	
	P2	D[7:0]	1	0	0	n/a	n/a	n/a	n/a	n/a	n/a	n/a	n/a	Bit[8] = 0 , no effect in hardware
		D[15:8]	1	0	0	n/a	n/a	n/a	n/a	n/a	n/a	n/a	Software Reset	Bit[8] = 1 , all registers are reset to default values
PLL Setting 0	P1	60810	0	0	0	A[7:0]-> A[15:8] -> A[18:16]							PLL Setting Register 0	
	P2	D[7:0]	1	0	0	n/a	n/a	n/a	n/a	n/a	n/a	PLL Bypass	PLL Enable	Bit[0] = 0 , the PLL is disabled Bit[0] = 1 , the PLL enabled
		D[15:8]	1	0	0	PLL Lock (RO)	n/a	n/a	n/a	n/a	n/a	n/a	n/a	Bit[1] = 0 , PLL is selected Bit[1] = 1 , CLKI is selected Bit[15] = 0 , the PLL output is not stable Bit[15] = 1 , the PLL output is stable
PLL Setting 1	P1	60812	0	0	0	A[7:0]-> A[15:8] -> A[18:16]							PLL Setting Register 1	
	P2	D[7:0]	1	0	0	M-Divider					M-Divider		Bit[9:0] 000h,001h ..... 019h,020h : 1:1 ,2:1 ..... 33:1(M-Divide Ratio). 021h to 13Fh: Reserved, PFDCLK = CLKI + (M-Divider + 1)	
		D[15:8]	1	0	0	n/a	n/a	N-Counter			M-Divider		Bit[13:10] , must be set to 0000	
PLL Setting 2	P1	60814	0	0	0	A[7:0]-> A[15:8] -> A[18:16]							PLL Setting Register 2	
	P2	D[7:0]	1	0	0	L-Counter					L-Counter		Bit[9:0] , must be set between 010h ~ 041h. , and get the M-Divide Ratio from 17:1 to 66:1. POCLK = (L-Counter + 1) x (N-Counter + 1) x PFDCLK	
		D[15:8]	1	0	0	n/a	n/a	L-Counter			L-Counter			
Internal Clock Configuration	P1	60816	0	0	0	A[7:0]-> A[15:8] -> A[18:16]							Internal Clock Configuration Register	
	P2	D[7:0]	1	0	0	n/a	n/a	n/a	n/a	n/a	n/a	PCLK Divide Select		Bit[3:0] = 0000b,0001b ..... 1110b,1111b : 1:1 ,2:1 ..... 16:1(MCLK to PCLK Frequency Ratio)
		D[15:8]	1	0	0	n/a	n/a	n/a	n/a	n/a	n/a	n/a		
Panel Setting Miscellaneous	P1	60820	0	0	0	A[7:0]-> A[15:8] -> A[18:16]							Panel Setting Miscellaneous Register	
	P2	D[7:0]	1	0	0	DE Polarity		PCLK Polarity	n/a	Panel Data Enable	Panel Data Width		Panel Port Enable	Bit[0] = 0 , TFT panel is disable Bit[0] = 1 , TFT panel is enable Bit[2:1] = 01 , TFT 16-bit Bit[2:1] = 10 , TFT 18-bit Bit[2:1] = 11 , TFT 24-bit
		D[15:8]	1	0	0	n/a	n/a	n/a	n/a	n/a	n/a	n/a	n/a	Bit[3] = 0 , panel data is disable Bit[3] = 1 , panel data is enable Bit[5] = 0 , the LCD data outputs transition on the rising edge of PCLK Bit[5] = 1 , the LCD data outputs transition on the falling edge of PCLK Bit[7:6] = 00 , DE Polarity Low active Bit[7:6] = 01 , DE Polarity High active Bit[7:6] = 10 , DE Polarity Fixed to Low Bit[7:6] = 11 , DE Polarity Fixed to High
Display Settings	P1	60822	0	0	0	A[7:0]-> A[15:8] -> A[18:16]							Display Settings Register	
	P2	D[7:0]	1	0	0	TE Status (RO)	TE Function		Display Blank	n/a	Display Blank Polarity	SW Video Invert	Panel Interface Enable	Bit[0] = 0 , HS, VS, DE and PCLK are fixed to H or L and the display pipes are disabled Bit[0] = 1 , enable the panel output and display pipes Bit[1] = 0 , video data is normal Bit[1] = 1 , video data is inverted
		D[15:8]	1	0	0	n/a	n/a	n/a	n/a	n/a	n/a	n/a	TE Output Pin Disable	Bit[2] = 0 , the display blank function operates normally Bit[2] = 1 , the display blank function switches polarity Bit[4] = 0 , the LCD data is masked Bit[4] = 1 , all applicable LCD data outputs are forced to zero or one Bit[6:5] = 00b , TE output is disabled and the pin output is low Bit[6:5] = 01b , TE output is high (1) when the display is in the Vertical Non-Display Period (VNDP) and low (0) when the display is in Vertical Display Period (VDISP) Bit[6:5] = 10b , Line Count Bit[6:5] = 11b , Reserved Bit[7] = 0 , the selected condition in not occurring Bit[7] = 1 , the selected condition in not occurring Bit[8] = 0 , TE is output Bit[8] = 1 , TE is not output
HDISP	P1	60824	0	0	0	A[7:0]-> A[15:8] -> A[18:16]							Horizontal Display Width Register (HDISP)	
	P2	D[7:0]	1	0	0	Horizontal Display Width					Horizontal Display Width		Bit[6:0] = horizontal display width in pixels + 8	
		D[15:8]	1	0	0	n/a	n/a	n/a	n/a	n/a	n/a	n/a	n/a	
HNDP	P1	60826	0	0	0	A[7:0]-> A[15:8] -> A[18:16]							Horizontal Non-Display Period Register (HNDP)	
	P2	D[7:0]	1	0	0	Horizontal Non-Display Period					Horizontal Non-Display Period		Bit[6:0] = horizontal non-display period in PCLK's	
		D[15:8]	1	0	0	n/a	n/a	n/a	n/a	n/a	n/a	n/a	n/a	
VDISP	P1	60828	0	0	0	A[7:0]-> A[15:8] -> A[18:16]							Vertical Display Height Register (VDISP)	
	P2	D[7:0]	1	0	0	Vertical Display Height					Vertical Display Height		Bit[9:0] = vertical display height in lines	
		D[15:8]	1	0	0	n/a	n/a	n/a	n/a	n/a	n/a	Vertical Display Height		
VNDP	P1	6082A	0	0	0	A[7:0]-> A[15:8] -> A[18:16]							Vertical Non-Display Period Register (VNDP)	
	P2	D[7:0]	1	0	0	Vertical Non-Display Period					Vertical Non-Display Period		Bit[7:0] = vertical non-display period in lines	

		D[15:8]	1	0	0	n/a	n/a	n/a	n/a	n/a	n/a	n/a	n/a	n/a
--	--	---------	---	---	---	-----	-----	-----	-----	-----	-----	-----	-----	-----

Command	Parameter	HEX	A0	/CS	/WR	D7	D6	D5	D4	D3	D2	D1	D0	Descriptions	
HSW	P1	6082C	0	0	0	A[7:0]-> A[15:8] -> A[18:16]								HS Pulse Width Register (HSW)	
	P2	D[7:0]	1	0	0	HS Pulse Polarity	HS Pulse Width							Bit[6:0] = HS pulse width in PCLK's Bit[7] = 0 , the horizontal sync signal is active low Bit[7] = 1 , the horizontal sync signal is active high	
		D[15:8]	1	0	0	n/a	n/a	n/a	n/a	n/a	n/a	n/a	n/a	n/a	
HPS	P1	6082E	0	0	0	A[7:0]-> A[15:8] -> A[18:16]								HS Pulse Start Position Register (HPS)	
	P2	D[7:0]	1	0	0	HS Pulse Start Position							Bit[6:0] = HS pulse start position in PCLK's		
		D[15:8]	1	0	0	n/a	n/a	n/a	n/a	n/a	n/a	n/a		n/a	
VSW	P1	60830	0	0	0	A[7:0]-> A[15:8] -> A[18:16]								VS Pulse Width Register (VSW)	
	P2	D[7:0]	1	0	0	VS Pulse Polarity	n/a	VS Pulse Width							Bit[5:0] = VS pulse width in lines Bit[7] = 0 , the vertical sync signal is active low Bit[7] = 1 , the vertical sync signal is active high
		D[15:8]	1	0	0	n/a	n/a	n/a	n/a	n/a	n/a	n/a	n/a	n/a	
VPS	P1	60832	0	0	0	A[7:0]-> A[15:8] -> A[18:16]								VS Pulse Start Position Register (VPS)	
	P2	D[7:0]	1	0	0	VS Pulse Start Position							Bit[7:0] = VS pulse start position in lines		
		D[15:8]	1	0	0	n/a	n/a	n/a	n/a	n/a	n/a	n/a		n/a	
TE Line Count	P1	60834	0	0	0	A[7:0]-> A[15:8] -> A[18:16]								TE Line Count Register	
	P2	D[7:0]	1	0	0	TE Line Count							These bits specify the line count value that is compared with the internal vertical line counter		
		D[15:8]	1	0	0	n/a	n/a	n/a	n/a	n/a	n/a	n/a		TE Line Count	
Main Layer Setting	P1	60840	0	0	0	A[7:0]-> A[15:8] -> A[18:16]								Main Layer Setting Register	
	P2	D[7:0]	1	0	0	n/a	n/a	n/a	Main Layer Rotation Select	Main Layer Color Depth			Multi-Byte Layer Registers Synchronizing Latching Disable		
		D[15:8]	1	0	0	n/a	n/a	n/a	n/a	n/a	n/a	n/a		n/a	
Main Layer Start Address 0	P1	60842	0	0	0	A[7:0]-> A[15:8] -> A[18:16]								Main Layer Start Address Register 0	
	P2	D[7:0]	1	0	0	Main Layer Start Address							Bit[15:0] is Bit[15:0] of Main Layer Start Address ,but Bit[1:0] must be set to 00b		
		D[15:8]	1	0	0	Main Layer Start Address									
Main Layer Start Address 1	P1	60844	0	0	0	A[7:0]-> A[15:8] -> A[18:16]								Main Layer Start Address Register 1	
	P2	D[7:0]	1	0	0	n/a		n/a	n/a	n/a	Main Layer Start Address			Bit[2:0] is Bit[18:16] of Main Layer Start Address	
		D[15:8]	1	0	0	n/a	n/a	n/a	n/a	n/a	n/a	n/a	n/a		
Main Layer Width	P1	60846	0	0	0	A[7:0]-> A[15:8] -> A[18:16]								Main Layer Width Register	
	P2	D[7:0]	1	0	0	Main Layer Width							Read Only		
		D[15:8]	1	0	0	n/a	n/a	n/a	n/a	n/a	n/a	Main Layer Width			
Main Layer Height	P1	60848	0	0	0	A[7:0]-> A[15:8] -> A[18:16]								Main Layer Height Register	
	P2	D[7:0]	1	0	0	Main Layer Height							Read Only		
		D[15:8]	1	0	0	n/a	n/a	n/a	n/a	n/a	n/a	Main Layer Height			
PIP Layer Setting	P1	60850	0	0	0	A[7:0]-> A[15:8] -> A[18:16]								PIP Layer Setting Register	
	P2	D[7:0]	1	0	0	n/a	n/a	n/a	n/a	n/a	n/a	n/a	n/a	Bit[2:0] = 000b, RGB 8:8:8 (default) Bit[2:0] = 001b, RGB 5:6:5 Bit[2:0] = 010b/011b/111b, Reserved Bit[2:0] = 100b, 24 bpp + LUT1 Bit[2:0] = 101b, 16 bpp + LUT1 Bit[2:0] = 110b, 8 bpp + LUT1 Bit[4:3] = 00b, 0° (Normal) Bit[4:3] = 01b, 90° Bit[4:3] = 10b, 180° Bit[4:3] = 11b, 270°	
		D[15:8]	1	0	0	n/a	n/a	n/a	PIP Layer Rotation Select	PIP Layer Color Depth					
PIP Layer Start Address 0	P1	60852	0	0	0	A[7:0]-> A[15:8] -> A[18:16]								PIP Layer Start Address Register 0	
	P2	D[7:0]	1	0	0	PIP Layer Start Address							Bit[15:0] is Bit[15:0] of Main Layer Start Address ,but Bit[1:0] must be set to 00b		
		D[15:8]	1	0	0	PIP Layer Start Address									
PIP Layer Start Address 1	P1	60854	0	0	0	A[7:0]-> A[15:8] -> A[18:16]								PIP Layer Start Address Register 1	
	P2	D[7:0]	1	0	0	n/a	n/a	n/a	n/a	n/a	n/a	n/a	n/a	Bit[2:0] is Bit[18:16] of Main Layer Start Address	
		D[15:8]	1	0	0	n/a	n/a	n/a	n/a	n/a	PIP Layer Start Address				
PIP Layer Width	P1	60856	0	0	0	A[7:0]-> A[15:8] -> A[18:16]								PIP Layer Width Register	
	P2	D[7:0]	1	0	0	PIP Layer Width							Bit[9:] = PIP Layer Horizontal Display Period in number of pixels PIP Layer Horizontal Display Period in number of pixels		
		D[15:8]	1	0	0	n/a	n/a	n/a	n/a	n/a	n/a	PIP Layer Width			

Command	Parameter	HEX	A0	/CS	/WR	D7	D6	D5	D4	D3	D2	D1	D0	Descriptions
PIP Layer Height	P1	60858	0	0	0	A[7:0]-> A[15:8] -> A[18:16]							PIP Layer Height Register	
	P2	D[7:0]	1	0	0	PIP Layer Height							PIP Layer Height	Bit[9:] = PIP Layer Vertical Display Period in number of lines
D[15:8]		1	0	0	n/a	n/a	n/a	n/a	n/a	n/a	n/a	n/a		
PIP Layer X Start Position	P1	6085A	0	0	0	A[7:0]-> A[15:8] -> A[18:16]							PIP Layer X Start Position Register	
	P2	D[7:0]	1	0	0	PIP Layer X Start Position							PIP Layer X Start Position	These bits specify X start position of the PIP Layer on the panel, in lines
D[15:8]		1	0	0	n/a	n/a	n/a	n/a	n/a	n/a	n/a	n/a		
PIP Layer Y Start Position	P1	6085C	0	0	0	A[7:0]-> A[15:8] -> A[18:16]							PIP Layer Y Start Position Register	
	P2	D[7:0]	1	0	0	PIP Layer Y Start Position							PIP Layer Y Start Position	These bits specify Y start position of the PIP Layer on the panel, in lines
D[15:8]		1	0	0	n/a	n/a	n/a	n/a	n/a	n/a	n/a	n/a		
PIP Enable	P1	60860	0	0	0	A[7:0]-> A[15:8] -> A[18:16]							PIP Enable Register	
	P2	D[7:0]	1	0	0	n/a	n/a	n/a	n/a	Blink/Fade Status (RO)	Blink/Fade Effect		n/a	Bit[2:0] = 000b, Blank Bit[2:0] = 001b, Normal Bit[2:0] = 010b, Blink 1 Bit[2:0] = 011b, Blink 2 Bit[2:0] = 100b, Fade Out Bit[2:0] = 101b, Fade In Bit[2:0] = 110b, Fade In/Out Continuous Bit[2:0] = 111b, Reserved Bit[3] = 0b, the PIP layer is not blinking or fading Bit[3] = 1b, the PIP layer is in the process of blinking or fading Bit[15:9] = blink/fade period in frames - 1
D[15:8]		1	0	0	Blink/Fade Period									
Alpha Blending	P1	60862	0	0	0	A[7:0]-> A[15:8] -> A[18:16]							Alpha Blending Register	
	P2	D[7:0]	1	0	0	n/a	Alpha Blending Ratio							Alpha Blending Step
D[15:8]		1	0	0	n/a	n/a	n/a	n/a	n/a	n/a	n/a	n/a		
Transparency	P1	60864	0	0	0	A[7:0]-> A[15:8] -> A[18:16]							Transparency Register	
	P2	D[7:0]	1	0	0	n/a	n/a	n/a	n/a	n/a	n/a	n/a	Transparency Enable	Bit[0] = 0b, transparency is disabled Bit[0] = 1b, transparency is enabled
D[15:8]		1	0	0	n/a	n/a	n/a	n/a	n/a	n/a	n/a	n/a		
Transparency Key Color 0	P1	60866	0	0	0	A[7:0]-> A[15:8] -> A[18:16]							Transparency Key Color Register 0	
	P2	D[7:0]	1	0	0	Key Color Blue							Key Color Green	Bit[15:8] is Key Color Green bits [7:0] Bit[7:0] is Key Color Blue bits [7:0]
D[15:8]		1	0	0	Key Color Green									
Transparency Key Color 1	P1	60868	0	0	0	A[7:0]-> A[15:8] -> A[18:16]							Transparency Key Color Register 1	
	P2	D[7:0]	1	0	0	Key Color Red							Key Color Red	Bit[7:0] is Key Color Red bits [7:0]
D[15:8]		1	0	0	n/a	n/a	n/a	n/a	n/a	n/a	n/a	n/a		
GPIO Configuration	P1	608D0	0	0	0	A[7:0]-> A[15:8] -> A[18:16]							GPIO Configuration Register	
	P2	D[7:0]	1	0	0	GPIO7 Config	GPIO6 Config	GPIO5 Config	GPIO4 Config	GPIO3 Config	GPIO2 Config	GPIO1 Config	GPIO0 Config	Bit[15:0] = 0b (default), the corresponding GPIO pin is configured as an input pin Bit[15:0] = 1b , the corresponding GPIO pin is configured as an output pin
D[15:8]		1	0	0	GPIO15 Config	GPIO14 Config	GPIO13 Config	GPIO12 Config	GPIO11 Config	GPIO10 Config	GPIO9 Config	GPIO8 Config		
GPIO Status and Control	P1	608D2	0	0	0	A[7:0]-> A[15:8] -> A[18:16]							GPIO Status and Control Register	
	P2	D[7:0]	1	0	0	GPIO7 Status	GPIO6 Status	GPIO5 Status	GPIO4 Status	GPIO3 Status	GPIO2 Status	GPIO1 Status	GPIO0 Status	When GPIOx is configured as an output: Bit[15:0] = 0b, GPIOx low Bit[15:0] = 1b, GPIOx high
D[15:8]		1	0	0	GPIO15 Status	GPIO14 Status	GPIO13 Status	GPIO12 Status	GPIO11 Status	GPIO10 Status	GPIO9 Status	GPIO8 Status		
GPIO Pull-Down Control	P1	608D4	0	0	0	A[7:0]-> A[15:8] -> A[18:16]							GPIO Pull-Down Control Register	
	P2	D[7:0]	1	0	0	GPIO7 Pull-down Control	GPIO6 Pull-down Control	GPIO5 Pull-down Control	GPIO4 Pull-down Control	GPIO3 Pull-down Control	GPIO2 Pull-down Control	GPIO1 Pull-down Control	GPIO0 Pull-down Control	Bit[15:0] = 0b, the pull-down resistor for the associated GPIO pin is inactive. Bit[15:0] = 1b, the pull-down resistor for the associated GPIO pin is active.
D[15:8]		1	0	0	GPIO15 Pull-down Control	GPIO14 Pull-down Control	GPIO13 Pull-down Control	GPIO12 Pull-down Control	GPIO11 Pull-down Control	GPIO10 Pull-down Control	GPIO9 Pull-down Control	GPIO8 Pull-down Control		

Note: Access of PLL Setting 0, PLL Setting 1, PLL Setting 2 and Internal Clock Configuration is only possible in Power Save Mode PSM0.

For more information and details please refer to S1D13L01 datasheet.

## 9. LCD Module Design and Handling Precautions

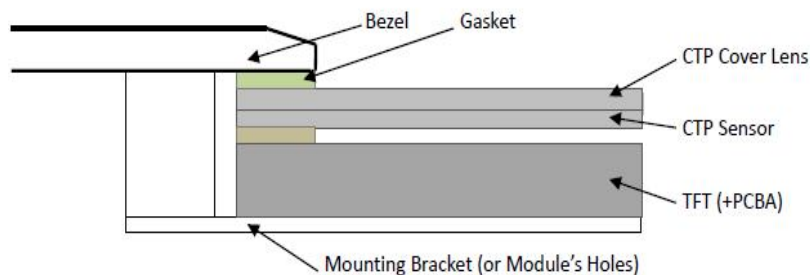
- Please ensure V0, VCOM is adjustable, to enable LCD module get the best contrast ratio under different temperatures, view angles and positions.
- Normally display quality should be judged under the best contrast ratio within viewable area. Unexpected display pattern may come out under abnormal contrast ratio.
- Never operate the LCD module exceed the absolute maximum ratings.
- Never apply signal to the LCD module without power supply.
- Keep signal line as short as possible to reduce external noise interference.
- IC chip (e.g. TAB or COG) is sensitive to light. Strong light might cause malfunction. Light sealing structure casing is recommended.
- Make sure there is enough space (with cushion) between case and LCD panel, to prevent external force passed on to the panel; otherwise that may cause damage to the LCD and degrade its display result.
- Avoid showing a display pattern on screen for a long time (continuous ON segment).
- LCD module reliability may be reduced by temperature shock.
- When storing and operating LCD module, avoids exposure to direct sunlight, high humidity, high or low temperature. They may damage or degrade the LCD module.
- Never leave LCD module in extreme condition (max./min storage/operate temperature) for more than 48hr.
- Recommend LCD module storage conditions is 0 C~40 C <80%RH.
- LCD module should be stored in the room without acid, alkali and harmful gas.
- Avoid dropping & violent shocking during transportation, and no excessive pressure press, moisture and sunlight.
- LCD module can be easily damaged by static electricity. Please maintain an optimum anti-static working environment to protect the LCD module. (eg. ground the soldering irons properly)
- Be sure to ground the body when handling LCD module.
- Only hold LCD module by its sides. Never hold LCD module by applying force on the heat seal or TAB.
- When soldering, control the temperature and duration avoid damaging the backlight guide or diffuser which might degrade the display result such as uneven display.
- Never let LCD module contact with corrosive liquids, which might cause damage to the backlight guide or the electric circuit of LCD module.
- Only clean LCD with a soft dry cloth, Isopropyl Alcohol or Ethyl Alcohol. Other solvents (e.g. water) may damage the LCD.
- Never add force to components of LCD module. It may cause invisible damage or degrade the module's reliability.
- When mounting LCD module, please make sure it is free from twisting, warping and bending.
- Do not add excessive force on surface of LCD, which may cause the display color change abnormally.
- LCD panel is made with glass. Any mechanical shock (e.g. dropping from high place) will damage the LCD module.

- Protective film is attached on LCD screen. Be careful when peeling off this protective film, since static electricity may be generated.
- Polarizer on LCD gets scratched easily. If possible, do not remove LCD protective film until the last step of installation.
- When peeling off protective film from LCD, static charge may cause abnormal display pattern. The symptom is normal, and it will turn back to normal in a short while.
- LCD panel has sharp edges, please handle with care.
- Never attempt to disassemble or rework LCD module.
- If display panel is damaged and liquid crystal substance leaks out, be sure not to get any in your mouth, if the substance comes into contact with your skin or clothes promptly wash it off using soap and water.

## 10. CTP Mounting Instructions

### 10.1 Bezel Mounting (Figure 1)

- The bezel window should be bigger than the CTP active area. It should be  $\geq 0.5\text{mm}$  each side.
- Gasket should be installed between the bezel and the CTP surface.  
The final gap should be about 0.5~1.0mm.
- It is recommended to provide an additional support bracket for backside support when necessary (e.g. slim type TFT module without mounding structure). They should only provide appropriate support and keep the module in place.
- The mounting structure should be strong enough to prevent external uneven force or twist act onto the module.



Figure

1

### 10.2 Surface Mounting (Figure 2)

- As the CTP assembling on the countersink area with double side adhesive.  
The countersink area should be flat and clean to ensure the double side adhesive installation result.
- The Bezel is recommend to keep a gap ( $\geq 0.3\text{mm}$  each side) around the cover lens for tolerance.
- It is recommended to provide an additional support bracket with

gasket for backside support when necessary (e.g. TFT module without mounding structure). They should only provide appropriate support and keep the module in place.

- The mounting structure should be strong enough to prevent external uneven force or twist act onto the module

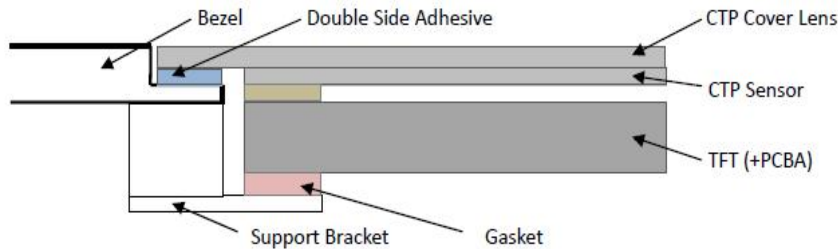
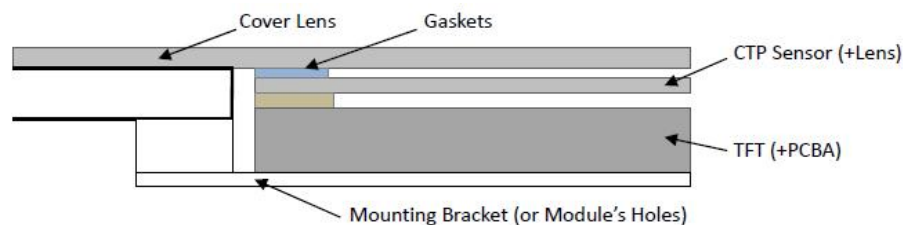


Figure 2

### 10.3 Additional Cover Lens Mounting (Figure 3)

- For the case of additional cover Lens mounting, it is necessary to recheck with the CTP specification about the material and thickness to ensure the functionality.
- It should keep a 0.2~0.3mm gap between the cover lens and the CTP surface..
- The cover lens window should be bigger than the active area of the CTP. It should be  $\geq 0.5\text{mm}$  each side.
- It is recommended to provide an additional support bracket for backside support when necessary (e.g. slim type TFT module without mounding structure). They should only provide appropriate support and keep the module in place.
- The mounting structure should be strong enough to prevent external uneven force or twist act onto the module.



Figure

3

## 11. RTP Mounting Instructions

- It should bezel touching the RTP Active Area (A.A.) to prevent abnormal touch. It should left gap  $D=0.2\sim 0.3\text{mm}$  in between.  
(Figure 4)
- Outer bezel design should take care about the area outside the A.A. Those areas contain circuit wires which is having different thickness. Touching those areas could de-form the ITO film. As a result bezel the ITO film be damaged and shorten its lifetime.  
It is suggested to protect those areas with gasket (between the bezel and RTP). The suggested figures are  $B\geq 0.50\text{mm}$ ;  $C\geq 0.50\text{mm}$ . (Figure 4)

- The bezel side wall should keep space  $E = 0.2 \sim 0.3\text{mm}$  from the RTP. (Figure 4)

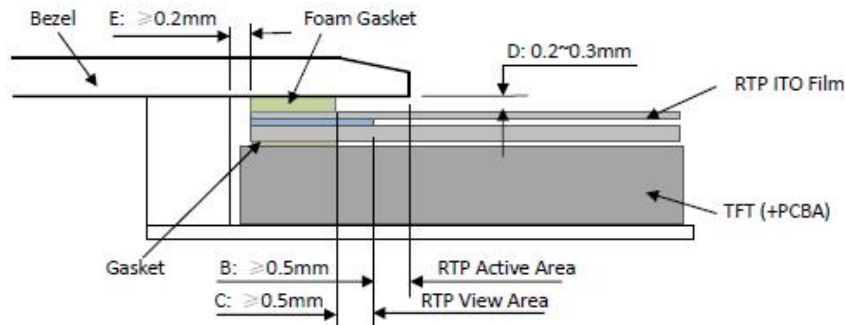


Figure 4

- In general design, RTP V.A. should be bigger than the TFT V.A. and RTP A.A. should be bigger than the TFT A.A. (Figure 5)

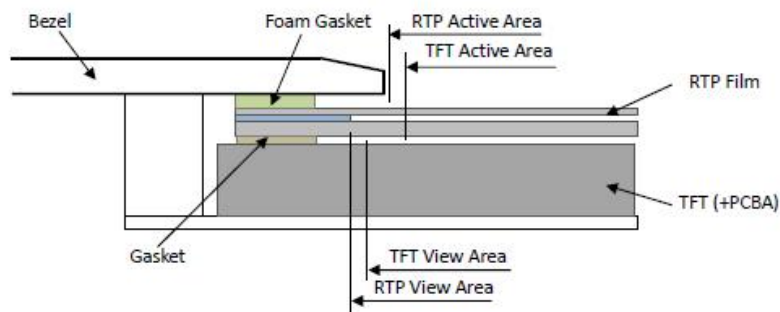
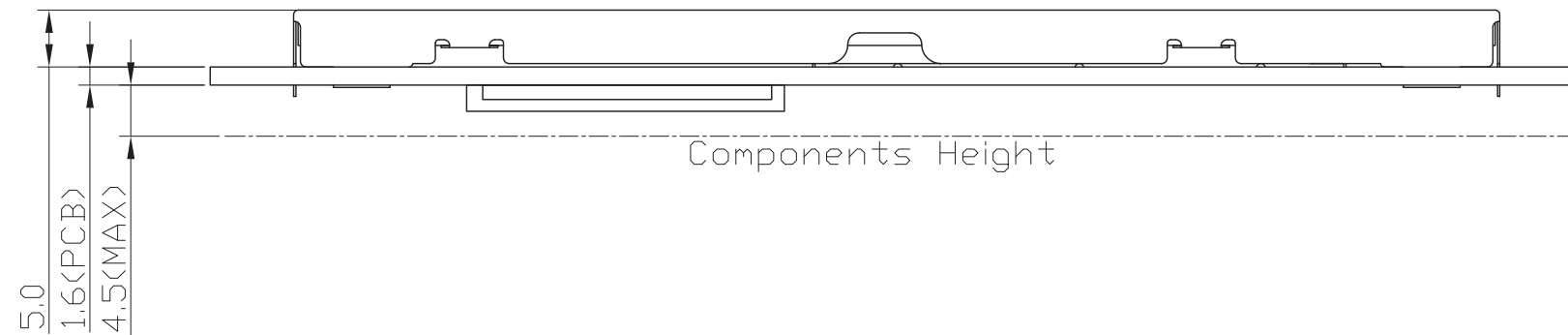
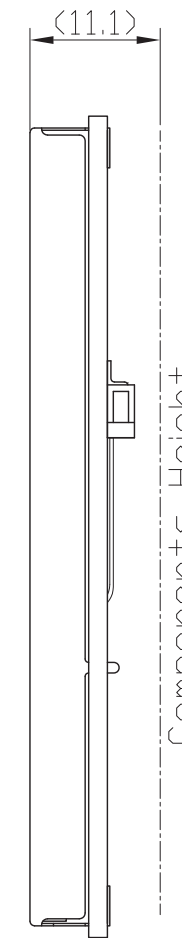
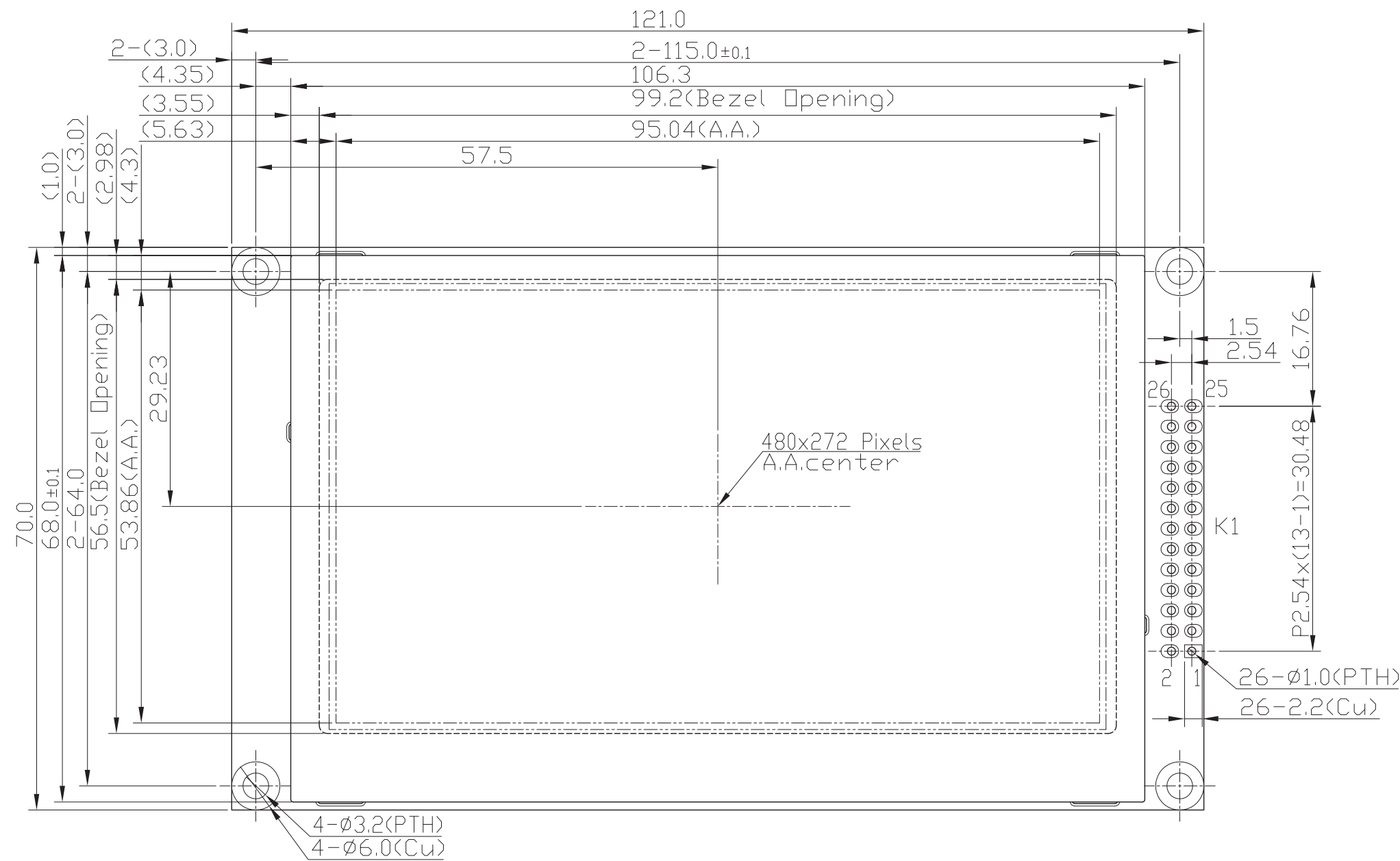


Figure 5

## Warranty

This product has been manufactured to our company's specifications as a part for use in your company's general electronic products. It is guaranteed to perform according to delivery specifications. For any other use apart from general electronic equipment, we cannot take responsibility if the product is used in medical devices, nuclear power control equipment, aerospace equipment, fire and security systems, or any other applications in which there is a direct risk to human life and where extremely high levels of reliability are required. If the product is to be used in any of the above applications, we will need to enter into a separate product liability agreement.

- We cannot accept responsibility for any defect, which may arise from additional manufacturing of the product (including disassembly and reassembly), after product delivery.
- We cannot accept responsibility for any defect, which may arise after the application of strong external force to the product.
- We cannot accept responsibility for any defect, which may arise due to the application of static electricity after the product has passed our company's acceptance inspection procedures.
- When the product is in CCFL models, CCFL service life and brightness will vary according to the performance of the inverter used, leaks, etc. We cannot accept responsibility for product performance, reliability, or defect, which may arise.
- We cannot accept responsibility for intellectual property of a third part, which may arise through the application of our product to our assembly with exception to those issues relating directly to the structure or method of manufacturing of our product.



No	Pin Name
1	VSS
2	VSS
3	VDD
4	VDD
5	A0
6	/CS
7	/RES
8	D0(SI)
9	D1(SO)
10	D2
11	D3
12	D4
13	D5
14	D6
15	D7
16	TE
17	/RD
18	/WR(SCK)
19	BL_ADJ
20	SPI_EN
21	NC
22	NC
23	NC
24	NC
25	NC
26	NC



- Note:
- \*1. LCD Display Type : TFT, Transmissive
  - \*2. Operating Voltage : 3.3V
  - \*3. Backlight Color : White LED
  - \*4. Pixel Arrangement : RGB-STRIPE
  - \*5. Color Depth : 16.7M Colors
  - \*6. Interface: MCU\_8bit/SPI\_3wire
  - \*7. Operating Temperature : -20°C~70°C
  - \*8. Storage Temperature : -30°C~80°C
  - \*9. Unmarked Tolerance : ≤150,±0.3; >150,±0.5

C				
B				
A				
Rev	Note	Date		
Dwg	Title	LMT043DNFFWD-NCN Outline Dwg		
Dwg No.	MK-006655-1-1	Date	2019-06-11	
Scale	3/2	Tol.	±0.5	Unit mm Paper Size A3
Approved		Checked		Drawn HeHongLiang