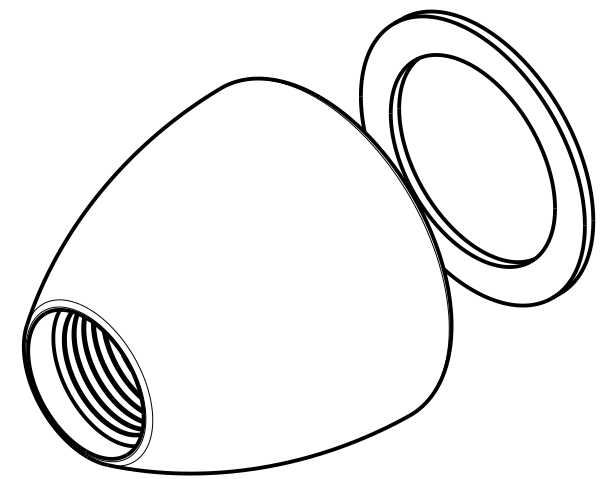
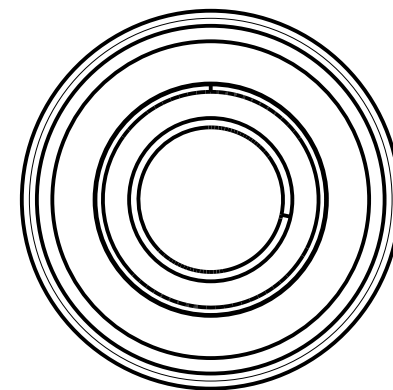
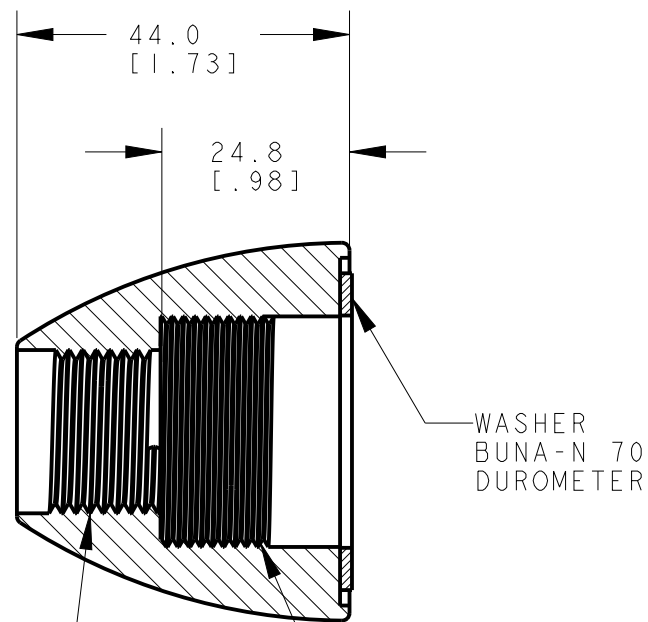
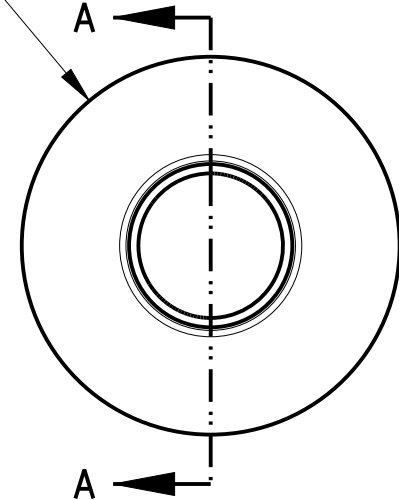


8 7 6 5 4 3 2 1

D
C
B
A

Ø50.0
[1.97]



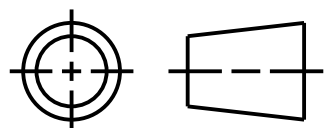
1/2 - 14 NPSM M30 X 1.5

This drawing is the property of BANNER ENGINEERING CORP. Any use or reproduction, in any form, without prior written permission of Banner is prohibited. © 2015 Banner Engineering Corp.

BANNER BANNER ENGINEERING CORP.
www.bannerengineering.com

TITLE
SA-M30E12-803146

THIRD ANGLE PROJECTION



SIZE B DRAWING NO. **200649** REV. **A**

SCALE 1:1 SHEET 1 OF 1

NOTES:
1. ALL DIMENSIONS ARE MILLIMETERS [INCHES] UNLESS OTHERWISE NOTED.
2. REFER TO "www.bannerengineering.com" FOR ADDITIONAL DATA AND SPECIFICATIONS.

8 7 6 5 4 3 2 1 CREO