

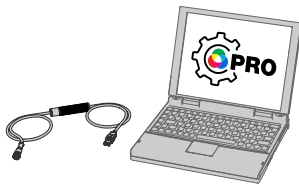
## Features

90 mm Programmable Multicolor RGB Indicator



- Bright, uniform indicator light
- Seven default colors in one device (Green, Red, Yellow, Blue, White, Cyan, Magenta)
- Programmable using Banner's Pro Editor software and Pro Converter Cable
- 30 mm threaded polycarbonate base
- Translucent polycarbonate dome
- Rugged IP67 and UL Type 4X and UL Type 13 design
- Bimodal inputs (PNP/NPN), depending on source wiring
- Variety of connector options

## Pro Editor



Use Banner's Pro Editor software and Pro Converter Cable to create custom configurations by selecting different colors, flash patterns, and animations. For more information visit [www.bannerengineering.com/proeditor](http://www.bannerengineering.com/proeditor).

## Models

Family	Style	Housing	Control	Connector
K90	P	L	RGB7	Q
	P = Pro	L = Dome	RGB7 = RGB Multicolor	Blank = 2 m (6.5 ft) integral PVC-jacketed cable Q = Integral 5-pin M12 male quick-disconnect connector QP = 150 mm (6 in) PVC-jacketed cable with a 5-pin M12 male quick-disconnect connector

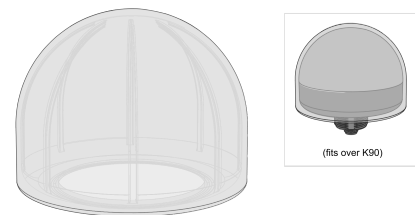
## Washdown Silicone Cover WC-K90

Washdown Cover Model	Description
WC-K90	FDA-grade silicone cover

### Installing the Silicone Cover

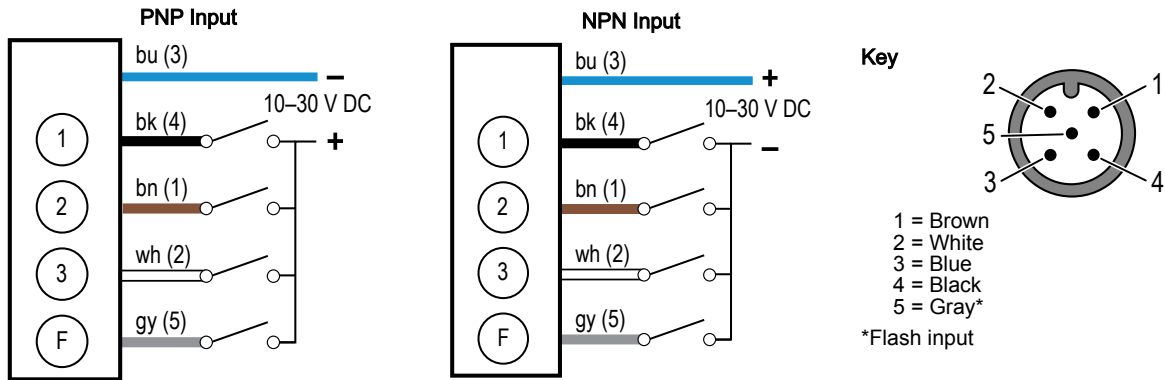
To properly install the FDA-grade silicone cover and achieve an IP69 rating, follow these instructions.

1. Turn the cover inside out.
2. Place the cover on top of the indicator.
3. Roll the cover onto the indicator.
4. Continue rolling the cover down, around the base of the indicator, until the entire light is covered.
5. Mount the indicator and cover assembly to a bracket wide enough to cover the base of the assembly. The cover should be clamped firmly between the indicator and the bracket.



**NOTE:** The FDA-grade silicone cover withstands high pressure, high-temperature washdown, and increases the product rating to IEC IP69. The cover is ECOLAB® certified to withstand aggressive cleaning procedures with chemicals used in the food processing industry.

## Wiring



### Default Color Definition

	Red	Yellow	Green	Cyan	Blue	Magenta	White
Input 1	X	X				X	X
Input 2		X	X	X			X
Input 3				X	X	X	X

An "X" denotes an active input, for example when Input 1 and Input 3 are active, the indicator will show Magenta.

## Specifications

### Supply Voltage and Current

- 12 V DC to 30 V DC
- 415 mA at 12 V DC

### Supply Protection Circuitry

Protected against reverse polarity and transient voltages

### Leakage Current Immunity

400 µA

### Input Response Time

250 milliseconds maximum

### Flash

Default 1.5 Hz flash rate using flash input wire

### Connections

Integral 5-pin M12 male quick-disconnect connector, 150 mm (6 in) PVC-jacketed cable with an M12 quick disconnect, or 2 m (6.5 ft) integral PVC-jacketed cable, depending on model  
Models with a quick disconnect require a mating cordset

### Mounting

M30 by 1.5 threaded base, maximum torque 4.5 N·m (40 inch-lbf)  
Mounting nut included

### Construction

Base, Dome, and Nut: Polycarbonate

### Vibration and Mechanical Shock

Meets IEC 60068-2-6 requirements (Vibration: 10 Hz to 55 Hz, 1.0 mm amplitude, 5 minutes sweep, 30 minutes dwell)  
Meets IEC 60068-2-27 requirements (Shock: 30G 11 ms duration, half sine wave)


### Operating Conditions

- 40 °C to +50 °C (-40 °F to +122 °F)
- 90% at +50 °C maximum relative humidity (non-condensing)
- Storage Temperature: -40 °C to +70 °C (-40 °F to +158 °F)

### Environmental Rating

IP67  
Enclosure: UL Type 4X, UL Type 13

### Certifications

 Banner Engineering BV  
Park Lane, Culliganlaan 2F bus 3  
1831 Diegem, BELGIUM

 **UL** US  
LISTED

### Pro Editor Configuration

- Connection to Pro Editor software enables control of:
- Animation: On, Flash, Two Color Flash, 50/50, 50/50 Rotate, Chase, Intensity Sweep, Demo
  - Color: Green, Red, Yellow, Blue, White, Cyan, Magenta, Amber, Rose, Lime Green, Orange, Sky Blue, Violet, Spring Green
  - Intensity: Low, Medium, High
  - Speed: Slow, Standard, Fast

Pro Converter Cable required to interface between PC and indicator, see accessories

### Default Indicator Characteristics

Color	Dominant Wavelength (nm) or Color Temperature (CCT)	Color Coordinates <sup>(1)</sup>		Lumen Output (Typical at 25 °C)
		x	y	
Green	530 nm	0.161	0.705	81.2
Red	625 nm	0.686	0.312	39.2
Yellow	–	0.477	0.466	98.7
Blue	470 nm	0.137	0.057	14
White	5950 K	0.342	0.339	107.9
Cyan	–	0.164	0.343	93
Magenta	–	0.404	0.186	49.9

<sup>(1)</sup> Refer to CIE 1931 chromaticity diagram or color chart, to show equivalent color with indicated color coordinates.

### Required Overcurrent Protection



**WARNING:** Electrical connections must be made by qualified personnel in accordance with local and national electrical codes and regulations.

Overcurrent protection is required to be provided by end product application per the supplied table.

Overcurrent protection may be provided with external fusing or via Current Limiting, Class 2 Power Supply.

Supply wiring leads < 24 AWG shall not be spliced.

For additional product support, go to [www.bannerengineering.com](http://www.bannerengineering.com).

Supply Wiring (AWG)	Required Overcurrent Protection (A)	Supply Wiring (AWG)	Required Overcurrent Protection (A)
20	5.0	26	1.0
22	3.0	28	0.8
24	2.0	30	0.5

## FCC Part 15 Class B for Unintentional Radiators

(Part 15.105(b)) This equipment has been tested and found to comply with the limits for a Class B digital device, pursuant to part 15 of the FCC Rules. These limits are designed to provide reasonable protection against harmful interference in a residential installation. This equipment generates, uses, and can radiate radio frequency energy and, if not installed and used in accordance with the instructions, may cause harmful interference to radio communications. However, there is no guarantee that interference will not occur in a particular installation. If this equipment does cause harmful interference to radio or television reception, which can be determined by turning the equipment off and on, the user is encouraged to try to correct the interference by one or more of the following measures:

- Reorient or relocate the receiving antenna.
- Increase the separation between the equipment and receiver.
- Connect the equipment into an outlet on a circuit different from that to which the receiver is connected.
- Consult the dealer or an experienced radio/TV technician for help.

(Part 15.21) Any changes or modifications not expressly approved by the party responsible for compliance could void the user's authority to operate this equipment.

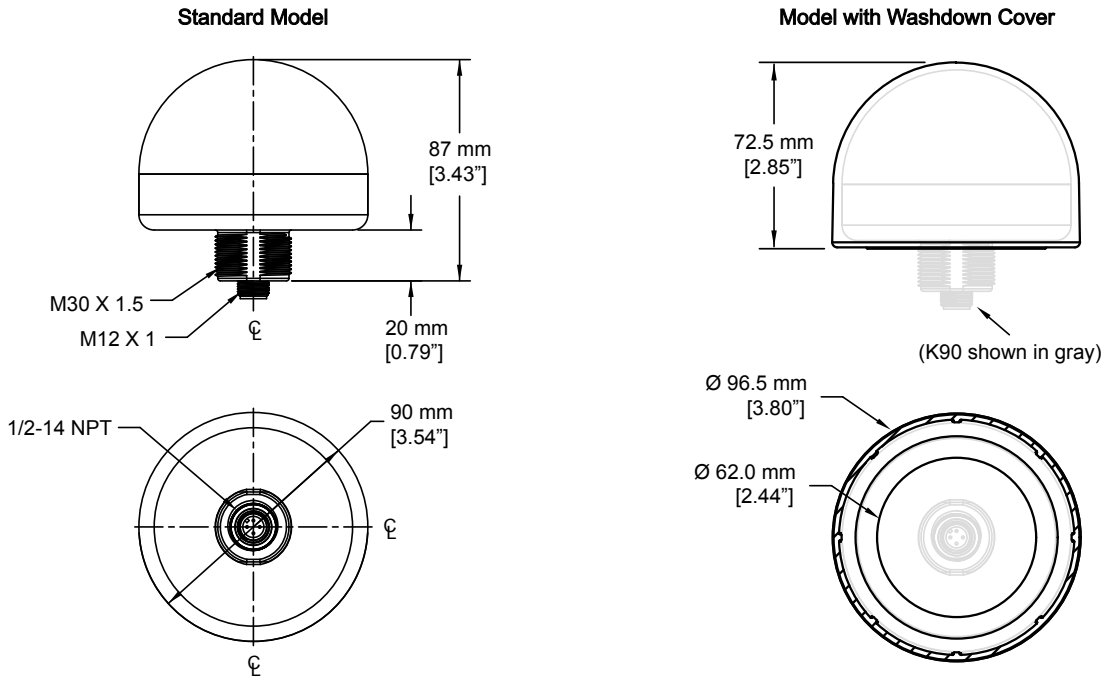
## Industry Canada ICES-003(B)

This device complies with CAN ICES-3 (B)/NMB-3(B). Operation is subject to the following two conditions: 1) This device may not cause harmful interference; and 2) This device must accept any interference received, including interference that may cause undesired operation.

Cet appareil est conforme à la norme NMB-3(B). Le fonctionnement est soumis aux deux conditions suivantes : (1) ce dispositif ne peut pas occasionner d'interférences, et (2) il doit tolérer toute interférence, y compris celles susceptibles de provoquer un fonctionnement non souhaité du dispositif.

## Dimensions

All measurements are listed in millimeters [inches], unless noted otherwise. The measurements provided are subject to change.

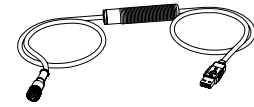


## Accessories

### Pro Editor Hardware

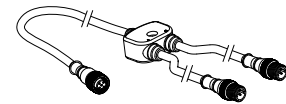
**MQDC-506-USB**

- Pro Converter Cable
- 1.83 m (6 ft) length 5-pin M12 quick disconnect to Device and USB to PC
- Required for connection to the configuration software



**CSB-M1251FM1251M**

- 5-pin parallel Y splitter (Male-Male-Female)
- For full Pro Editor preview capability
- Requires external power supply, sold separately



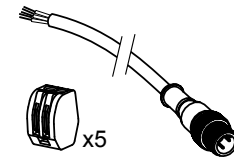
**PSW-24-1**

- 24 V DC, 1 A power supply
- 2 m (6.5 ft) PVC cable with M12 quick disconnect
- Provides external power with splitter cable, sold separately

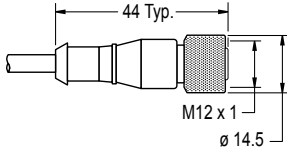
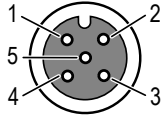

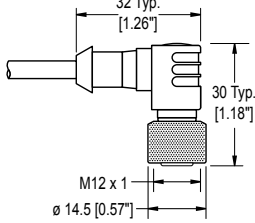
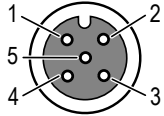



**ACC-PRO-CABLE5**

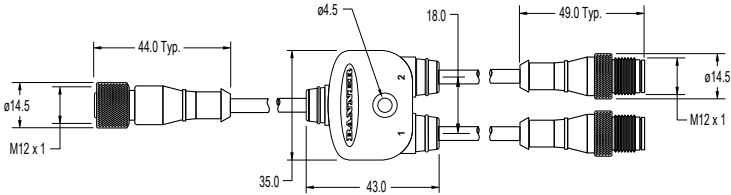
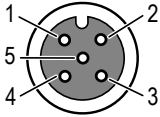
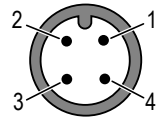
- Mating accessory for cabled and terminal models
- 150 mm (6 inch) PVC cable with M12 quick disconnect
- Lever wire nuts included (qty 5)
- Required to connect cabled models and screw terminal models to Pro Converter Cable, sold separately



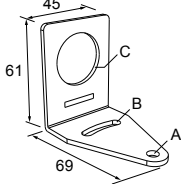
# Cordsets

5-Pin Single-Ended M12 Female Cordsets				
Model	Length	Style	Dimensions	Pinout (Female)
MQDC1-501.5	0.5 m (1.5 ft)	Straight		 <p>1 = Brown 2 = White 3 = Blue 4 = Black 5 = Gray</p> 
MQDC1-503	0.9 m (2.9 ft)			
MQDC1-506	2 m (6.5 ft)			
MQDC1-515	5 m (16.4 ft)			
MQDC1-530	9 m (29.5 ft)			
MQDC1-560	18 m (59 ft)			
MQDC1-5100	31 m (101.7 ft)			
MQDC1-506RA	2 m (6.5 ft)	Right-Angle		 <p>1 = Brown 2 = White 3 = Blue 4 = Black 5 = Gray</p> 
MQDC1-515RA	5 m (16.4 ft)			
MQDC1-530RA	9 m (29.5 ft)			
MQDC1-560RA	19 m (62.3 ft)			

# Splitter Cables for Use with IO-Blocks

5-Pin M12 to 4-Pin M12 Combiner Cordset with Flat Junction			
Model	Branches (Male)	Trunk (Female)	Pinout
CSF-M12F51M12M41	4-pin Quick Disconnect, 2 x 0.31 m (1.02 ft)	5-pin Quick Disconnect, 0.31 m (1.02 ft)	Female
			Male
			  <p>1 = brown (trunk); no connection (branches 1 and 2)                  2 = white (trunk); brown (branch 1); gray (branch 2)                  3 = blue (trunk; branches 1 and 2)                  4 = black (trunk); black (branch 1); white (branch 2)                  5 = gray (trunk only)</p>

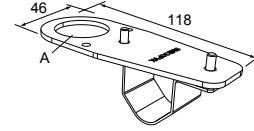
# Brackets

<p><b>SMB30A</b></p> <ul style="list-style-type: none"> <li>• Right-angle bracket with curved slot for versatile orientation</li> <li>• Clearance for M6 (1/4 in) hardware</li> <li>• Mounting hole for 30 mm sensor</li> <li>• 12-gauge stainless steel</li> <li>• CAD Files: <a href="#">DXF</a>, <a href="#">PDF</a>, <a href="#">IGS</a>, <a href="#">STP</a></li> </ul> <p><b>Hole center spacing:</b> A to B=40  <b>Hole size:</b> A=∅ 6.3, B= 27.1 x 6.3, C=∅ 30.5</p>	
---	---

**SMB30FVK**

- V-clamp, flat bracket and fasteners for mounting to pipe or extensions
- Clamp accommodates 28 mm dia. tubing or 1 in. square extrusions
- 30 mm hole for mounting sensors
- CAD Files: [DXF](#), [PDF](#), [IGS](#), [STP](#)

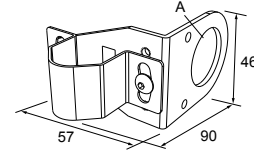
**Hole size:** A=Ø 31



**SMB30RAVK**

- V-clamp, right-angle bracket and fasteners for mounting sensors to pipe or extrusion
- Clamp accommodates 28 mm dia. tubing or 1 in. square extrusions
- 30 mm hole for mounting sensors
- CAD Files: [DXF](#), [PDF](#), [IGS](#), [STP](#)

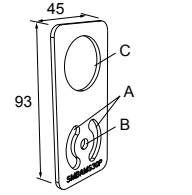
**Hole size:** A=Ø 30.5



**SMBAMS30P**

- Flat SMBAMS series bracket
- 30 mm hole for mounting sensors
- Articulation slots for 90°+ rotation
- 12-gauge 300 series stainless steel
- CAD Files: [DXF](#), [PDF](#), [IGS](#), [STP](#)

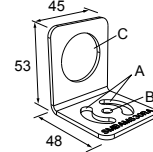
**Hole center spacing:** A=26.0, A to B=13.0  
**Hole size:** A=26.8 × 7.0, B=Ø 6.5, C=Ø 31.0



**SMBAMS30RA**

- Right-angle SMBAMS series bracket
- 30 mm hole for mounting sensors
- Articulation slots for 90°+ rotation
- 12-gauge (2.6 mm) cold-rolled steel
- CAD Files: [DXF](#), [PDF](#), [IGS](#), [STP](#)

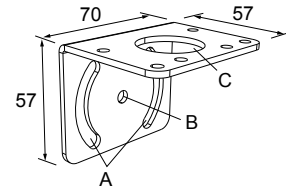
**Hole center spacing:** A=26.0, A to B=13.0  
**Hole size:** A=26.8 × 7.0, B=Ø 6.5, C=Ø 31.0



**SMB30MM**

- 12-gauge stainless steel bracket with curved mounting slots for versatile orientation
- Clearance for M6 (¼ in) hardware
- Mounting hole for 30 mm sensor
- CAD Files: [DXF](#), [PDF](#), [IGS](#), [STP](#)

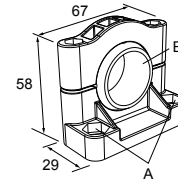
**Hole center spacing:** A=51, A to B=25.4  
**Hole size:** A=42.6 × 7, B=Ø 6.4, C=Ø 30.1



**SMB30SC**

- Swivel bracket with 30 mm mounting hole for sensor
- Black reinforced thermoplastic polyester
- Stainless steel mounting and swivel locking hardware included
- CAD Files: [DXF](#), [PDF](#), [IGS](#), [STP](#)

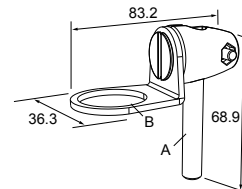
**Hole center spacing:** A=Ø 50.8  
**Hole size:** A=Ø 7.0, B=Ø 30.0



**SMB30FA**

- Swivel bracket with tilt and pan movement for precise adjustment
- Mounting hole for 30 mm sensor
- 12-gauge 304 stainless steel
- Easy sensor mounting to extrude rail T-slot
- Metric- and inch-size bolt available
- CAD Files: [DXF](#), [PDF](#), [IGS](#), [STP](#)

**Bolt thread:** SMB30FA, A=3/8 - 16 × 2 in; SMB30FAM10, A=M10 - 1.5 × 50  
**Hole size:** B=Ø 30.1



**LMBE12RA35**

- Direct mounting of stand-off pipe, with common bracket type
- Zinc-plated steel
- 1/2-14 NPSM nut
- Mounting distance from the wall to the center of the 1/2-14 NPSM nut is 35 mm
- CAD Files: [DXF](#), [PDF](#), [IGS](#), [STP](#)

**Hole center spacing: 20.0**

**LMBE12RA45**

- Direct mounting of stand-off pipe, with common bracket type
- Zinc-plated steel
- 1/2-14 NPSM nut
- Mounting distance from the wall to the center of the 1/2-14 NPSM nut is 45 mm
- CAD Files: [DXF](#), [PDF](#), [IGS](#), [STP](#)

**Hole center spacing: 35.0**

All measurements are listed in millimeters [inches], unless noted otherwise. The measurements provided are subject to change.

### Elevated Mount System

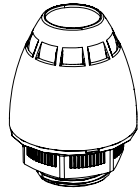
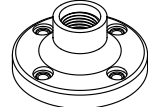


Adapter/Cover Model	Description		
<b>SA-M30</b> - Black polycarbonate	<ul style="list-style-type: none"> <li>• Streamlined black PC or Gray PC thread cover</li> <li>• Covers the outer M30 threads on the light's base</li> <li>• Typically used for the TL70 Tower Light and K90 series</li> <li>• Mounting hardware included</li> <li>• CAD files: <a href="#">DXF</a>, <a href="#">PDF</a>, <a href="#">IGS</a>, <a href="#">STP</a></li> </ul>		
<b>SA-M30C</b> - Gray polycarbonate			
Black Anodized Aluminum, 1/2 in. NPT Pipe Models	Clear Anodized Aluminum, 1/2 in. NPT Pipe Models	Description	
<b>SOP-E12-150A</b> , 150 mm (6 in) long	<b>SOP-E12-150AC</b> , 150 mm (6 in) long	<ul style="list-style-type: none"> <li>• Elevated-use stand-off pipe</li> <li>• Threaded at both ends</li> <li>• Compatible with most industrial environments</li> <li>• CAD Files:                             <ul style="list-style-type: none"> <li>◦ <b>SOP-E12-150A</b>: <a href="#">DXF</a>, <a href="#">PDF</a>, <a href="#">IGS</a>, <a href="#">STP</a></li> <li>◦ <b>SOP-E12-300A</b>: <a href="#">DXF</a>, <a href="#">PDF</a>, <a href="#">IGS</a>, <a href="#">STP</a></li> <li>◦ <b>SOP-E12-600A</b>: <a href="#">DXF</a>, <a href="#">PDF</a>, <a href="#">IGS</a>, <a href="#">STP</a></li> <li>◦ <b>SOP-E12-900A</b>: <a href="#">DXF</a>, <a href="#">PDF</a>, <a href="#">IGS</a>, <a href="#">STP</a></li> </ul> </li> </ul>	
<b>SOP-E12-300A</b> , 300 mm (12 in) long	<b>SOP-E12-300AC</b> , 300 mm (12 in) long		
<b>SOP-E12-600A</b> , 600 mm (24 in) long	-		
<b>SOP-E12-900A</b> , 900 mm (36 in) long	<b>SOP-E12-900AC</b> , 900 mm (36 in) long		
Mounting Base Model	Description		
<b>SA-FFB12</b> - Black polycarbonate	<ul style="list-style-type: none"> <li>• For use with 1/2 in. stand-off pipes</li> <li>• 110° rotation</li> <li>• Stainless steel hardware</li> <li>• CAD files: <a href="#">DXF</a>, <a href="#">PDF</a>, <a href="#">IGS</a>, <a href="#">STP</a></li> </ul>		
<b>SA-FFB12C</b> - Gray polycarbonate			



### Other Pipes

304 Stainless Steel, 1/2 in. NPT Pipe Models	Description
<b>SOP-E12-150SS</b> , 150 mm (6 in) long	<ul style="list-style-type: none"> <li>• Elevated-use stand-off pipe</li> <li>• Threaded at both ends</li> <li>• Compatible with most industrial environments</li> <li>• CAD Files:                             <ul style="list-style-type: none"> <li>◦ <b>SOP-E12-150x</b>: <a href="#">DXF</a>, <a href="#">PDF</a>, <a href="#">IGS</a>, <a href="#">STP</a></li> <li>◦ <b>SOP-E12-300x</b>: <a href="#">DXF</a>, <a href="#">PDF</a>, <a href="#">IGS</a>, <a href="#">STP</a></li> <li>◦ <b>SOP-E12-600x</b>: <a href="#">DXF</a>, <a href="#">PDF</a>, <a href="#">IGS</a>, <a href="#">STP</a></li> <li>◦ <b>SOP-E12-900x</b>: <a href="#">DXF</a>, <a href="#">PDF</a>, <a href="#">IGS</a>, <a href="#">STP</a></li> </ul> </li> </ul>
<b>SOP-E12-300SS</b> , 300 mm (12 in) long	
<b>SOP-E12-600SS</b> , 600 mm (24 in) long	
<b>SOP-E12-900SS</b> , 900 mm (36 in) long	

### Other Mounting Bases

Mounting Base Model	Description	
SA-E12M30 - Black acetal	<ul style="list-style-type: none"> <li>Streamlined black acetal or white UHMW mounting base adapter/cover</li> <li>Adapter from ½ in. NPSM/DN15 pipe to 30 mm (1-3/16 in) drilled hole</li> <li>Mounting hardware included</li> <li>CAD files: <a href="#">DXF</a>, <a href="#">PDF</a>, <a href="#">IGS</a>, <a href="#">STP</a></li> </ul>	
SA-E12M30C - White UHMW		
Mounting Base Model	Description	
SA-F12	<ul style="list-style-type: none"> <li>Die-cast zinc base with black paint</li> <li>Elevated-use stand-off pipes (½ in, NPSM/DN15)</li> <li>M5 mounting hardware and nitrile gasket included</li> <li>CAD files: <a href="#">DXF</a>, <a href="#">PDF</a>, <a href="#">IGS</a>, <a href="#">STP</a></li> </ul>	

## LMB Sealed Right-Angle Bracket

Model	Description	
<b>LMB30RA</b> - Black polycarbonate CAD Files: <a href="#">DXF</a> , <a href="#">PDF</a> , <a href="#">IGS</a> , <a href="#">STP</a>	<ul style="list-style-type: none"> <li><b>Direct-Mount Models</b></li> <li>Bracket kit with base, 30 mm adapter, set screw, fasteners, O-rings, and gaskets.</li> </ul>	
<b>LMB30RAC</b> - Gray polycarbonate CAD Files: <a href="#">DXF</a> , <a href="#">PDF</a> , <a href="#">IGS</a> , <a href="#">STP</a>		
<b>LMBE12RA</b> - Black polycarbonate CAD Files: <a href="#">DXF</a> , <a href="#">PDF</a> , <a href="#">IGS</a> , <a href="#">STP</a>	<ul style="list-style-type: none"> <li><b>Pipe-Mount Models</b></li> <li>Bracket kit with base, ½-14 pipe adapter, set screw, fasteners, O-rings, and gaskets</li> <li>For use with stand-off pipe (listed and sold separately)</li> </ul>	
<b>LMBE12RAC</b> - Gray polycarbonate CAD Files: <a href="#">DXF</a> , <a href="#">PDF</a> , <a href="#">IGS</a> , <a href="#">STP</a>		

## Sun Shield

<b>K90DS</b> <ul style="list-style-type: none"> <li>Use for enhanced visibility in direct sunlight conditions</li> <li>Polycarbonate</li> </ul>	
---	---

## Banner Engineering Corp Limited Warranty

Banner Engineering Corp. warrants its products to be free from defects in material and workmanship for one year following the date of shipment. Banner Engineering Corp. will repair or replace, free of charge, any product of its manufacture which, at the time it is returned to the factory, is found to have been defective during the warranty period. This warranty does not cover damage or liability for misuse, abuse, or the improper application or installation of the Banner product.

**THIS LIMITED WARRANTY IS EXCLUSIVE AND IN LIEU OF ALL OTHER WARRANTIES WHETHER EXPRESS OR IMPLIED (INCLUDING, WITHOUT LIMITATION, ANY WARRANTY OF MERCHANTABILITY OR FITNESS FOR A PARTICULAR PURPOSE), AND WHETHER ARISING UNDER COURSE OF PERFORMANCE, COURSE OF DEALING OR TRADE USAGE.**

This Warranty is exclusive and limited to repair or, at the discretion of Banner Engineering Corp., replacement. **IN NO EVENT SHALL BANNER ENGINEERING CORP. BE LIABLE TO BUYER OR ANY OTHER PERSON OR ENTITY FOR ANY EXTRA COSTS, EXPENSES, LOSSES, LOSS OF PROFITS, OR ANY INCIDENTAL, CONSEQUENTIAL OR SPECIAL DAMAGES RESULTING FROM ANY PRODUCT DEFECT OR FROM THE USE OR INABILITY TO USE THE PRODUCT, WHETHER ARISING IN CONTRACT OR WARRANTY, STATUTE, TORT, STRICT LIABILITY, NEGLIGENCE, OR OTHERWISE.**

Banner Engineering Corp. reserves the right to change, modify or improve the design of the product without assuming any obligations or liabilities relating to any product previously manufactured by Banner Engineering Corp. Any misuse, abuse, or improper application or installation of this product or use of the product for personal protection applications when the product is identified as not intended for such purposes will void the product warranty. Any modifications to this product without prior express approval by Banner Engineering Corp will void the product warranties. All specifications published in this document are subject to change; Banner reserves the right to modify product specifications or update documentation at any time. Specifications and product information in English supersede that which is provided in any other language. For the most recent version of any documentation, refer to: [www.bannerengineering.com](http://www.bannerengineering.com).

For patent information, see [www.bannerengineering.com/patents](http://www.bannerengineering.com/patents).