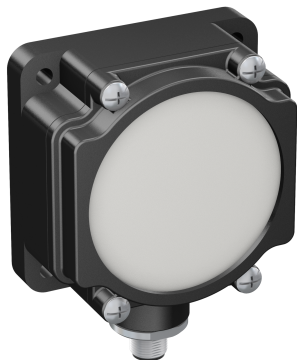


Features

Large, Multicolor General-Purpose Solid ON or Flashing Indicator

To view or download the latest technical information about this product, including specifications, dimensions, accessories, and wiring, go to www.bannerengineering.com.



- Multicolor, single segment
- 1-, 2-, or 3-color models available; 9 available colors
- Bright, even light
- DIP switches adjust solid ON or flashing for each color
- Two user-selectable flash rates
- 12 V DC to 30 V DC operation
- Flat-mount

WARNING:



- **Do not use this device for personnel protection**
- Using this device for personnel protection could result in serious injury or death.
- This device does not include the self-checking redundant circuitry necessary to allow its use in personnel safety applications. A device failure or malfunction can cause either an energized (on) or de-energized (off) output condition.

Models

Models	Color 1	Color 2	Color 3	Input	Connector
K80FLGRXP	Green	Red	No color	PNP	Terminal-wired
K80FLGRBPQ			Blue		Integral 4-pin M12 male quick-disconnect connector
K80FLGRYPQ			Yellow		

The following models are no longer available for order but are still covered by the information in this document.

Family	Color 1	Color 2	Color 3	Input	Connector
K80FL	G	Y	R	P	Q
	G = Green R = Red Y = Yellow B = Blue W = White O = Orange T = Turquoise V = Violet M = Magenta X = No color in this position			P = PNP	Blank = Terminal-wired Q = Integral 4-pin M12 male quick-disconnect connector QP = 150 mm (6 in) PVC-jacketed cable with a 4-pin M12 male quick-disconnect connector

Example Model	Number of LED Colors	LED Indicators	Connection
K80FLGXXPQ	1	Green	Integral 4-pin M12 male quick-disconnect connector
K80FLRXXPQ		Red	
K80FLGBXP	2	Green, Blue	Terminal-wired

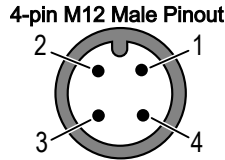
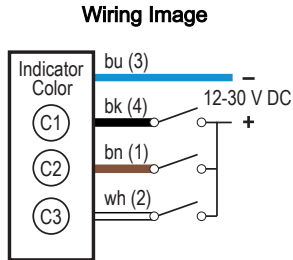
Continued on page 2



Continued from page 1

Example Model	Number of LED Colors	LED Indicators	Connection
K80FLGYXP		Green, Yellow	
K80FLGRYPQP	3	Green, Red, Yellow	150 mm (6 in) PVC-jacketed cable with a 4-pin M12 male quick-disconnect connector

Wiring

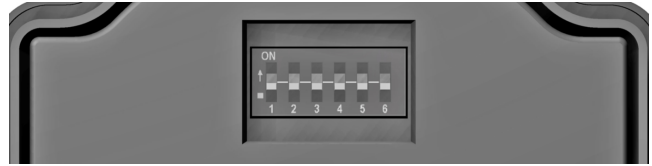


Key
 1 = Brown
 2 = White
 3 = Blue
 4 = Black

Setup for Solid ON or Flash

NOTE: The Program DIP switch is located inside the cover.

Remove the four screws to remove the cover.



Switch Number	Position	Function
1	ON	No function
	OFF	
2	ON	No function
	OFF	
3	ON	Color 1 flash
	OFF	Color 1 solid ON

Switch Number	Position	Function
4	ON	Color 2 flash
	OFF	Color 2 solid ON
5	ON	Color 3 flash
	OFF	Color 3 solid ON
6	ON	Flash rate 1 Hz
	OFF	Flash rate 2 Hz

Specifications

Supply Voltage and Current

12 V DC at 140 mA max.
 30 V DC at 60 mA max.

Adjustments

6-position Program DIP switch on the back of the indicator cover
 For normal operation, no adjustment should be necessary; these switches should remain all in the down position
 For alternate operation (flash functionality), see Setup for Solid ON or Flash section

Construction

Base: Polycarbonate
Translucent Face: Acrylic

Connections

Integral 4-pin M12 male quick-disconnect connector; 150 mm (6 in) PVC-jacketed cable with a 4-pin M12 male quick-disconnect connector; or terminal-wired, depending on model
 Optional ½-14 NPSM cord grip model BWA-CG.5-1

Environmental Rating

IP67

Operating Conditions

-40 °C to +50 °C (-40 °F to +122 °F)

Indicators

1, 2, or 3 colors, depending on model

Input Response Time

10 ms max.

Indicator Characteristics

Color	Dominant Wavelength (nm) or Color Temperature (CCT)	Lumen Output (Typical at 25 °C)
Green	525 nm	39
Red	630 nm	28
Yellow	589 nm	23
Blue	470 nm	8.5

Continued on page 3

Continued from page 2

Color	Dominant Wavelength (nm) or Color Temperature (CCT)	Lumen Output (Typical at 25 °C)
Orange	606 nm	18
White	6000 K	71

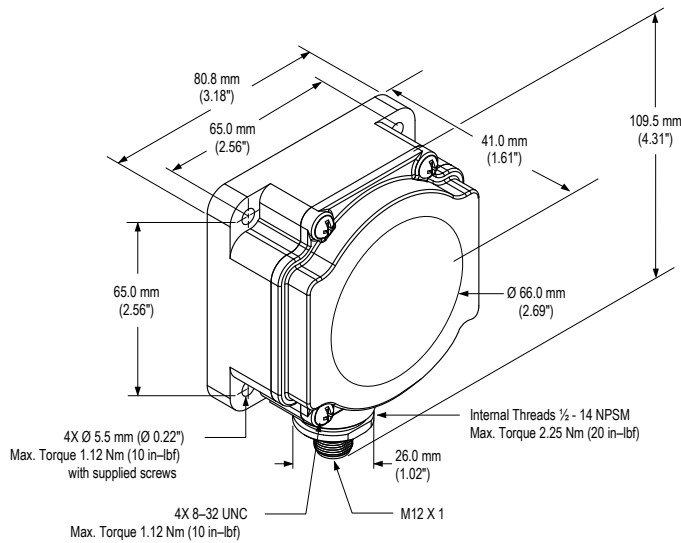
Certifications



Banner Engineering BV
 Park Lane, Culliganlaan 2F bus 3
 1831 Diegem, BELGIUM

Dimensions

All measurements are listed in millimeters [inches], unless noted otherwise. The measurements provided are subject to change.



Accessories

Cordsets

4-Pin Single-Ended M12 Female Cordsets				
Model	Length	Style	Dimensions	Pinout (Female)
MQDC-406	2 m (6.56 ft)	Straight		
MQDC-415	5 m (16.4 ft)			
MQDC-430	9 m (29.5 ft)			
MQDC-450	15 m (49.2 ft)			

Continued on page 4

- 1 = Brown
- 2 = White
- 3 = Blue
- 4 = Black
- 5 = Not used



Continued from page 3

4-Pin Single-Ended M12 Female Cordsets				
Model	Length	Style	Dimensions	Pinout (Female)
MQDC-406RA	2 m (6.56 ft)	Right-Angle		
MQDC-415RA	5 m (16.4 ft)			
MQDC-430RA	9 m (29.5 ft)			
MQDC-450RA	15 m (49.2 ft)			

Bracket

<p>SMBDX80DIN</p> <ul style="list-style-type: none"> • Black reinforced thermoplastic • Bracket for mounting on a 35 mm DIN rail • CAD Files: DXF, PDF, IGS, STP 	
--	--

Accessory Quadrant Labels

Transparent self-adhesive cover labels for printing in a standard laser printer; print your own labels to easily identify each quadrant. Clear protective labels provide additional protection for laser print work in many industrial environments. Six labels per sheet; 5 sheets per package.

Model	Description	Size
SALK-K80L4-0	1-quadrant transparent laser label (includes 30 labels)	8.5 in × 11 in

Banner Engineering Corp Limited Warranty

Banner Engineering Corp. warrants its products to be free from defects in material and workmanship for one year following the date of shipment. Banner Engineering Corp. will repair or replace, free of charge, any product of its manufacture which, at the time it is returned to the factory, is found to have been defective during the warranty period. This warranty does not cover damage or liability for misuse, abuse, or the improper application or installation of the Banner product.

THIS LIMITED WARRANTY IS EXCLUSIVE AND IN LIEU OF ALL OTHER WARRANTIES WHETHER EXPRESS OR IMPLIED (INCLUDING, WITHOUT LIMITATION, ANY WARRANTY OF MERCHANTABILITY OR FITNESS FOR A PARTICULAR PURPOSE), AND WHETHER ARISING UNDER COURSE OF PERFORMANCE, COURSE OF DEALING OR TRADE USAGE.

This Warranty is exclusive and limited to repair or, at the discretion of Banner Engineering Corp., replacement. **IN NO EVENT SHALL BANNER ENGINEERING CORP. BE LIABLE TO BUYER OR ANY OTHER PERSON OR ENTITY FOR ANY EXTRA COSTS, EXPENSES, LOSSES, LOSS OF PROFITS, OR ANY INCIDENTAL, CONSEQUENTIAL OR SPECIAL DAMAGES RESULTING FROM ANY PRODUCT DEFECT OR FROM THE USE OR INABILITY TO USE THE PRODUCT, WHETHER ARISING IN CONTRACT OR WARRANTY, STATUTE, TORT, STRICT LIABILITY, NEGLIGENCE, OR OTHERWISE.**

Banner Engineering Corp. reserves the right to change, modify or improve the design of the product without assuming any obligations or liabilities relating to any product previously manufactured by Banner Engineering Corp. Any misuse, abuse, or improper application or installation of this product or use of the product for personal protection applications when the product is identified as not intended for such purposes will void the product warranty. Any modifications to this product without prior express approval by Banner Engineering Corp will void the product warranties. All specifications published in this document are subject to change; Banner reserves the right to modify product specifications or update documentation at any time. Specifications and product information in English supersede that which is provided in any other language. For the most recent version of any documentation, refer to: www.bannerengineering.com.

For patent information, see www.bannerengineering.com/patents.