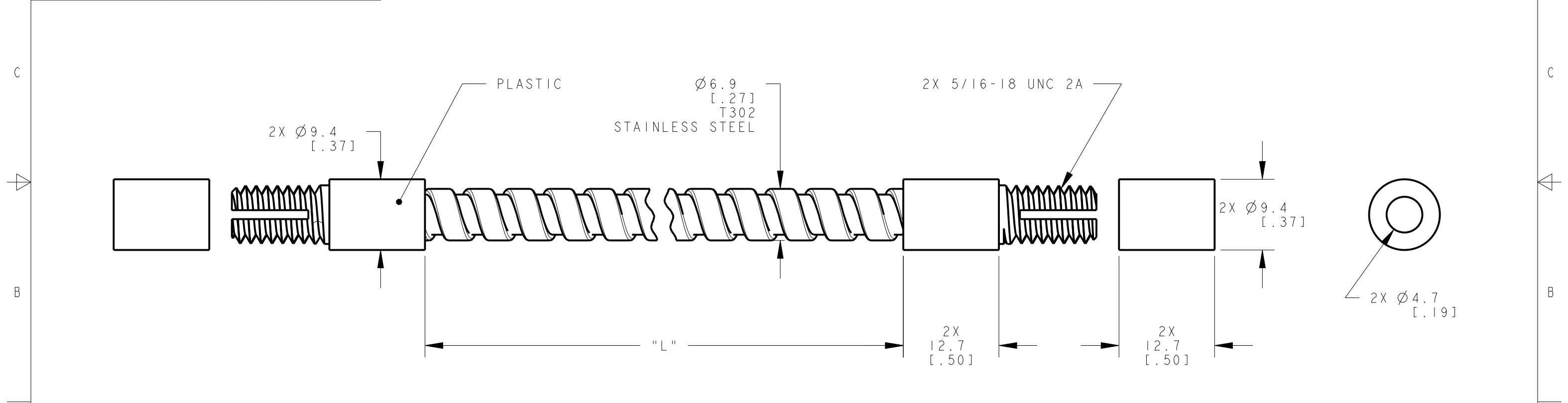


MODEL NO.	"L"	P/N
PFS69S6	1829 [72]	42824
PFS69S3	914 [36]	42845
PFS69S2	610 [24]	51781
PFS69S1.5	458 [18]	51806
PFS69S40	12000 [472]	56053
PFS69S30	9144 [360]	56048
PFS69S16	4877 [192]	56102
PFS69S14.5	4420 [174]	56133
PFS69S2.5	762 [30]	65897



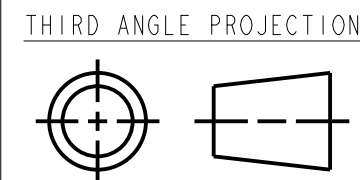
This drawing is the property of BANNER ENGINEERING CORP. Any use or reproduction, in any form, without prior written permission of Banner is prohibited. © 2015 Banner Engineering Corp.

BANNER BANNER ENGINEERING CORP.
www.bannerengineering.com

TITLE
PFS6 STAINLESS STEEL SHEATH

SIZE B DRAWING NO. **193947** REV. **A**

SCALE 2:1 SHEET 1 OF 1



NOTES:
1. ALL DIMENSIONS ARE MILLIMETERS [INCHES] UNLESS OTHERWISE NOTED.
2. REFER TO "www.bannerengineering.com" FOR ADDITIONAL DATA AND SPECIFICATIONS.