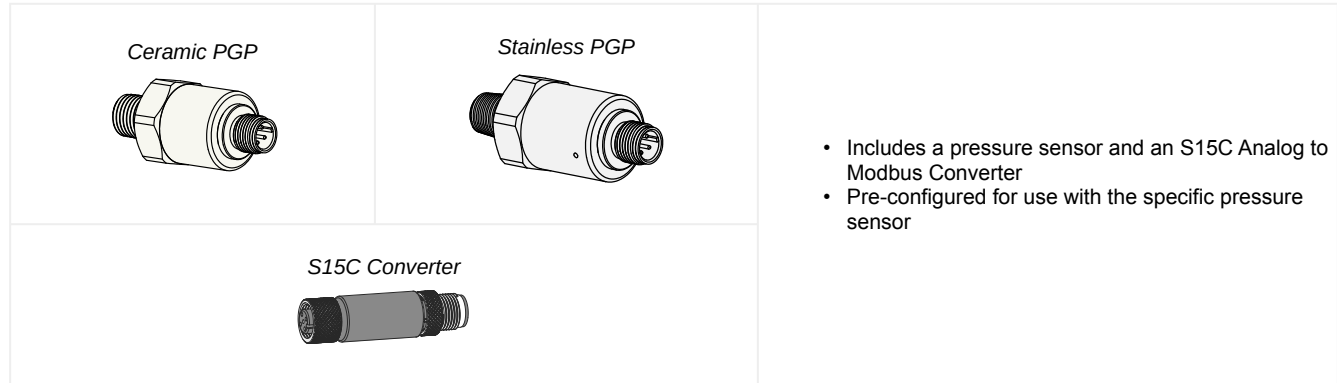


Datasheet



- Includes a pressure sensor and an S15C Analog to Modbus Converter
- Pre-configured for use with the specific pressure sensor

Models

Model Number	Pressure Range	Measuring Cell
S15C-PS15SS-MQ	0 PSIG to 15 PSIG	Stainless Steel
S15C-PS50SS-MQ	0 PSIG to 50 PSIG	Stainless Steel
S15C-PS100SS-MQ	0 PSIG to 100 PSIG	Stainless Steel
S15C-PS150C-MQ ⁽¹⁾	0 PSIG to 150 PSIG	Ceramic
S15C-PS150SS-MQ	0 PSIG to 150 PSIG	Stainless Steel
S15C-PS3000SS-MQ	0 PSIG to 3000 PSIG	Stainless Steel
S15C-PS5000SS-MQ	0 PSIG to 5000 PSIG	Stainless Steel

Configuration Instructions

Sensor Configuration Software

The Sensor Configuration Software offers an easy way to manage converter Modbus settings, retrieve data, and visually show converter data. The Sensor Configuration Software runs on any Windows machine and uses an adapter cable (BWA-UCT-900, p/n 19970) to connect the converter to the computer.

Download the most recent version of the Sensor Configuration Software from the Banner Engineering website: https://info.bannerengineering.com/cs/groups/public/documents/software/b_3128586.exe.

Modbus Configuration

Modbus Register Address	Description	I/O Range	Comments	Default ⁽²⁾	Access
IO Data Out					
40001	Pressure Data output	0-32768	Pressure (PSI) = Register Value / 100 Pressure (PSI) = Register Value / 100 Pressure (PSI) = Register Value / 100 Pressure (PSI) = Register Value / 100 Pressure (PSI) = Register Value / 1 Pressure (PSI) = Register Value / 1	1500 5000 10000 15000 3000 5000	RO
40002	Alarm State for IO 1 based on Min and Max thresholds defined in Analog In Min Value () and Analog In Max Value()	0...1	0 = Within threshold range 1 = Out of threshold range	-	RO

Continued on page 2

⁽¹⁾ Ceramic measuring cell for compressed air applications.
⁽²⁾ Depending on model selected.

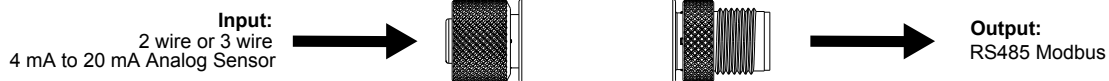


Continued from page 1

Modbus Register Address	Description	I/O Range	Comments	Default	Access
40003	Status of program	0...2	STATUS_ERROR_TYPE_NO_ERROR = 0 STATUS_ERROR_TYPE_BELOW_MIN = 1 STATUS_ERROR_TYPE_ABOVE_MAX = 2	-	RO
Input_ADC_Config					
41201	Sample interval time	0...65535	0 = Disabled 1 = 10 ms 2...65535 = 5 ms increments	1	RW
FilterConfig					
41202	Takes current ADC value and the last ADC reading and takes the median of the values.	0...1	0 = Median Filter Disabled 1 = Median Filter Enabled	0	RW
Minimum Value					
41204	Minimum pressure value for data read	0...14 PSI 0...49 PSI 0...99 PSI 0...149 PSI 0...149 PSI 0...2999 PSI 0...4999 PSI	Must be less than maximum	0 PSI	RW
Maximum Value					
41205	Maximum pressure value for data read	1...15 PSI 1...50 PSI 1...100 PSI 1...150 PSI 1...150 PSI 1...3000 PSI 1...5000 PSI	Must be greater than the minimum	15 PSI 50 PSI 100 PSI 150 PSI 150 PSI 3000 PSI 5000 PSI	RW
COMs Settings					
46101	Baud Rate	0 = 9.6k 1 = 19.2k 2 = 38.4k	0 = 9.6k 1 = 19.2k 2 = 38.4k	1	RW
46102	Parity	0 = None 1 = Odd 2 = Even	0 = None 1 = Odd 2 = Even	0	RW
46103	Slave Address	1...247	1 to 247	1	RW

Wiring

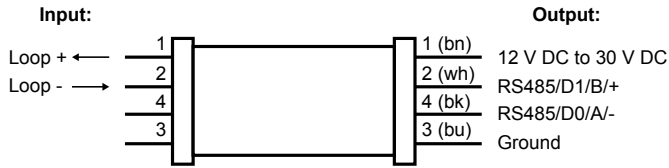
S15C Wiring



Male (Gateway)	Female (Sensor)	Pin	Wire Color
		1	Brown
		2	White
		3	Blue
		4	Black

IMPORTANT: If using a cable to connect the converter to an analog sensor, use of a shielded M12 cable is recommended, with the shield tied to pin 3.

Connecting 2-wire 4 mA to 20 mA Sensors



PGP Wiring

4-pin M12 Male QD	Pin	Description
	1	Supply +
	2	Output
	3	Not used/no connection
	4	Not used/no connection

Status Indicators

Power LED Indicator (Green)

- Solid Green = Power On
- Off = Power Off

Modbus Communication LED Indicator (Amber)

- Flashing Amber (4 Hz) = Modbus communications are active
- Solid Amber for 2 seconds to Off = Modbus communications are lost after connection
- Solid Amber for 2 seconds to Flashing Amber (4 Hz) = Modbus communications momentarily lost, but communication reestablished
- Solid Amber = Modbus communications are intermittent, or communications error occurs more frequently than once every 2 seconds
- Off = Modbus communications are not present

Specifications

S15C Specifications

Supply Voltage

12 V DC to 30 V DC at 50 mA maximum

Power Pass-Through Current

4 A maximum

Supply Protection Circuitry

Protected against reverse polarity and transient voltages

Leakage Current Immunity

400 μ A

Resolution

12-bits

Accuracy

1.5% of full scale

Internal Resistance

100 ohms

Indicators

Green power
Amber Modbus communications

Connections

Integral male/female 4-pin M12 quick-disconnect connector

Construction

Coupling Material: Nickel-plated brass
Connector Body: PVC translucent black

Vibration and Mechanical Shock

Meets IEC 60068-2-6 requirements (Vibration: 10 Hz to 55 Hz, 0.5 mm amplitude, 5 minutes sweep, 30 minutes dwell)

Meets IEC 60068-2-27 requirements (Shock: 15G 11 ms duration, half sine wave)

Environmental Rating

IP65, IP67, IP68
NEMA/UL Type 1

Operating Conditions

Temperature: -40 °C to +70 °C (-40 °F to +158 °F)

90% at +70 °C maximum relative humidity (non-condensing)

Storage Temperature: -40 °C to +80 °C (-40 °F to +176 °F)

Certifications



Banner Engineering BV
Park Lane, Culliganlaan 2F bus 3
1831 Diegem, BELGIUM



Turck Banner LTD Blenheim House
Blenheim Court
Wickford, Essex SS11 8YT
GREAT BRITAIN



Required Overcurrent Protection



WARNING: Electrical connections must be made by qualified personnel in accordance with local and national electrical codes and regulations.

Overcurrent protection is required to be provided by end product application per the supplied table.

Overcurrent protection may be provided with external fusing or via Current Limiting, Class 2 Power Supply.

Supply wiring leads < 24 AWG shall not be spliced.

For additional product support, go to www.bannerengineering.com.

Supply Wiring (AWG)	Required Overcurrent Protection (A)	Supply Wiring (AWG)	Required Overcurrent Protection (A)
20	5.0	26	1.0
22	3.0	28	0.8
24	1.0	30	0.5

Product Identification



Ceramic Pressure Sensor Specifications

Supply Voltage

9 to 30 V DC

Output

4 to 20mA, 2-wire Loop Power

Connections

Electrical: M12x1 4-pin Male

Process: 1/4"-18 Male NPT

Ambient Temperature

-20 °C to +70 °C (-4 °F to +158 °F)

Compensated Temperature

-20 °C to +70 °C (-4 °F to +158 °F)

Storage Temperature

-20 °C to +70 °C (-4 °F to +158 °F)

Enclosure Rating

IP65

Accuracy

±1% of Full Scale

Zero/Span Tolerance

±1% of Full Scale

Long Term Stability

±1%/year

Permissible Over-pressure

1.5x Full Scale

Burst Pressure

2x Full Scale

Construction

Housing: #304SS, Copper, Aluminium

Wetted Parts: #316L Stainless Steel, Ceramic

Certifications



Banner Engineering BV
Park Lane, Culliganlaan 2F bus 3
1831 Diegem, BELGIUM



Turck Banner LTD Blenheim House
Blenheim Court
Wickford, Essex SS11 8YT
GREAT BRITAIN

Stainless Pressure Sensor Specifications

Supply Voltage

9 to 30 V DC

Output

4 to 20mA, 2-wire Loop Power

Connections

Electrical: M12x1 4-pin Male

Process: 1/4"-18 Male NPT

Ambient Temperature

-40 °C to +85 °C (-40 °F to +185 °F)

Compensated Temperature

-10 °C to +70 °C (+14 °F to +158 °F)

Storage Temperature

-45 °C to +85 °C (-49 °F to +185 °F)

Enclosure Rating

IP67

Accuracy

±0.5% of Full Scale

Zero/Span Tolerance

±0.5% of Full Scale

Long Term Stability

±0.5%/year

Permissible Over-pressure

2.5x Full Scale

Burst Pressure

4x Full Scale

Construction

Housing: #304SS, Copper, Aluminium

Wetted Parts: #316L Stainless Steel

Certifications



Banner Engineering BV
Park Lane, Culliganlaan 2F bus 3
1831 Diegem, BELGIUM



Turck Banner LTD Blenheim House
Blenheim Court
Wickford, Essex SS11 8YT
GREAT BRITAIN

FCC Part 15 Class B

This equipment has been tested and found to comply with the limits for a Class B digital device, pursuant to part 15 of the FCC Rules. These limits are designed to provide reasonable protection against harmful interference in a residential installation. This equipment generates, uses

and can radiate radio frequency energy and, if not installed and used in accordance with the instructions, may cause harmful interference to radio communications. However, there is no guarantee that interference will not occur in a particular installation. If this equipment does cause harmful interference to radio or television reception, which can be determined by turning the equipment off and on, the user is encouraged to try to correct the interference by one or more of the following measures:

- Reorient or relocate the receiving antenna.
- Increase the separation between the equipment and receiver.
- Connect the equipment into an outlet on a circuit different from that to which the receiver is connected.
- Consult the dealer or an experienced radio/TV technician for help.

Industry Canada ICES-003(B)

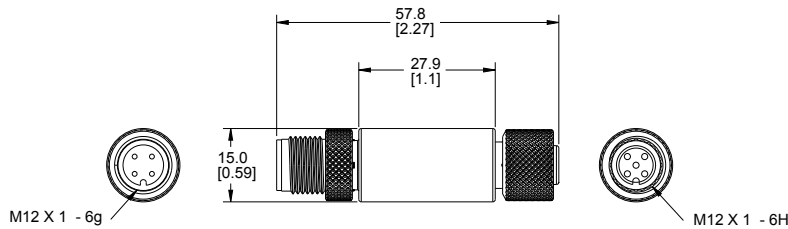
This device complies with CAN ICES-3 (B)/NMB-3(B). Operation is subject to the following two conditions: 1) This device may not cause harmful interference; and 2) This device must accept any interference received, including interference that may cause undesired operation.

Cet appareil est conforme à la norme NMB-3(B). Le fonctionnement est soumis aux deux conditions suivantes : (1) ce dispositif ne peut pas occasionner d'interférences, et (2) il doit tolérer toute interférence, y compris celles susceptibles de provoquer un fonctionnement non souhaité du dispositif.

Dimensions

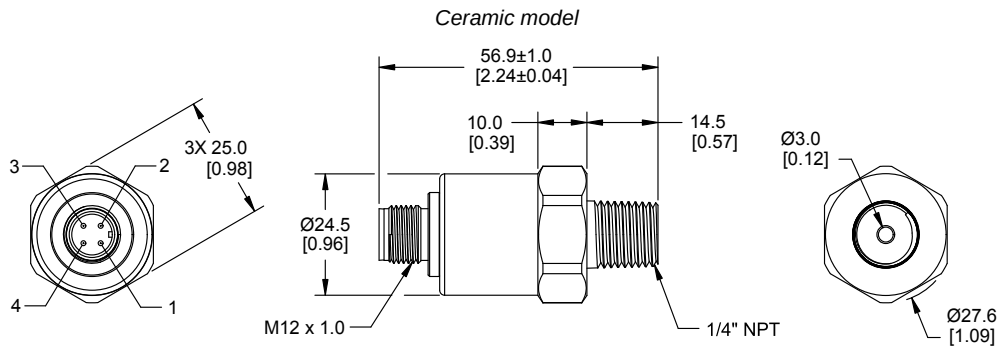
S15C Dimensions

All measurements are listed in millimeters [inches], unless noted otherwise.



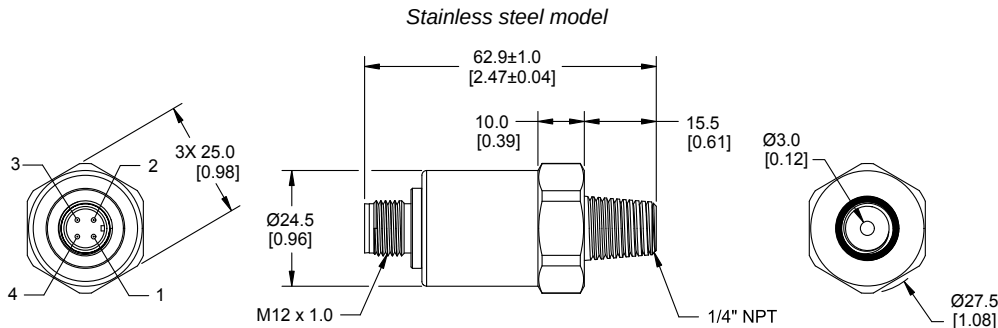
Ceramic Pressure Sensor Dimensions

All measurements are listed in millimeters [inches], unless noted otherwise.



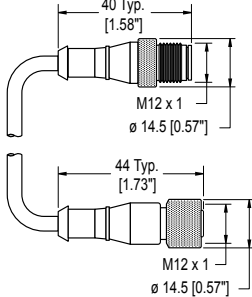
Stainless Pressure Sensor Dimensions

All measurements are listed in millimeters [inches], unless noted otherwise.



Accessories

Cordsets

4-Pin Threaded M12 Cordsets—Double Ended				
Model	Length	Style	Dimensions	Pinout
MQDEC-401SS	0.31 m (1 ft)	Male Straight/Female Straight		Female
MQDEC-403SS	0.91 m (2.99 ft)			Female
MQDEC-406SS	1.83 m (6 ft)			Female
MQDEC-412SS	3.66 m (12 ft)			Female
MQDEC-420SS	6.10 m (20 ft)			Female
MQDEC-430SS	9.14 m (30.2 ft)			Female
MQDEC-450SS	15.2 m (49.9 ft)			Male

1 = Brown
 2 = White
 3 = Blue
 4 = Black

Banner Engineering Corp Limited Warranty

Banner Engineering Corp. warrants its products to be free from defects in material and workmanship for one year following the date of shipment. Banner Engineering Corp. will repair or replace, free of charge, any product of its manufacture which, at the time it is returned to the factory, is found to have been defective during the warranty period. This warranty does not cover damage or liability for misuse, abuse, or the improper application or installation of the Banner product.

THIS LIMITED WARRANTY IS EXCLUSIVE AND IN LIEU OF ALL OTHER WARRANTIES WHETHER EXPRESS OR IMPLIED (INCLUDING, WITHOUT LIMITATION, ANY WARRANTY OF MERCHANTABILITY OR FITNESS FOR A PARTICULAR PURPOSE), AND WHETHER ARISING UNDER COURSE OF PERFORMANCE, COURSE OF DEALING OR TRADE USAGE.

This Warranty is exclusive and limited to repair or, at the discretion of Banner Engineering Corp., replacement. **IN NO EVENT SHALL BANNER ENGINEERING CORP. BE LIABLE TO BUYER OR ANY OTHER PERSON OR ENTITY FOR ANY EXTRA COSTS, EXPENSES, LOSSES, LOSS OF PROFITS, OR ANY INCIDENTAL, CONSEQUENTIAL OR SPECIAL DAMAGES RESULTING FROM ANY PRODUCT DEFECT OR FROM THE USE OR INABILITY TO USE THE PRODUCT, WHETHER ARISING IN CONTRACT OR WARRANTY, STATUTE, TORT, STRICT LIABILITY, NEGLIGENCE, OR OTHERWISE.**

Banner Engineering Corp. reserves the right to change, modify or improve the design of the product without assuming any obligations or liabilities relating to any product previously manufactured by Banner Engineering Corp. Any misuse, abuse, or improper application or installation of this product or use of the product for personal protection applications when the product is identified as not intended for such purposes will void the product warranty. Any modifications to this product without prior express approval by Banner Engineering Corp will void the product warranties. All specifications published in this document are subject to change; Banner reserves the right to modify product specifications or update documentation at any time. Specifications and product information in English supersede that which is provided in any other language. For the most recent version of any documentation, refer to: www.bannerengineering.com.

For patent information, see www.bannerengineering.com/patents.