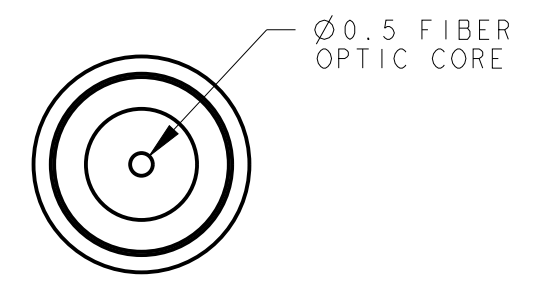


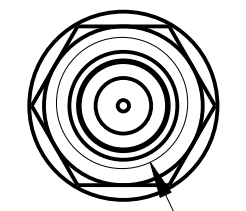
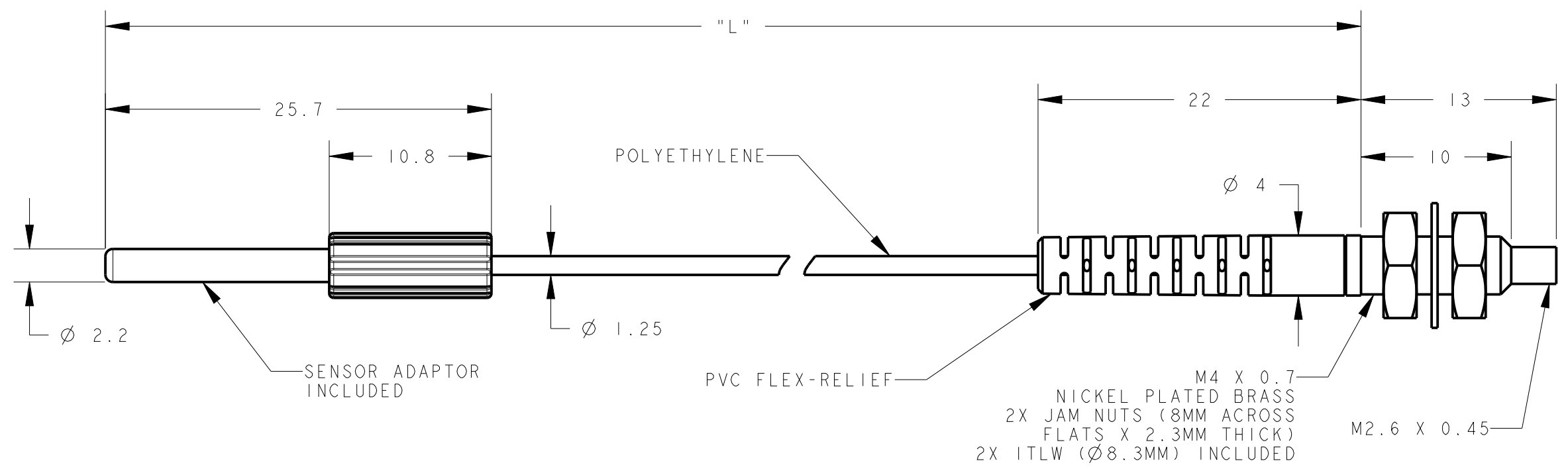
MODEL NO.	"L"	P/N
PIT26UM4-VL	2000	87724
PIT23UM4-VL	1000	87723

NOTES:

1. OPERATING TEMPERATURE -55°C ~ +70°C.
2. MINIMUM BEND RADIUS R15.



DETAIL A
SCALE 6:1



This drawing is the property of BANNER ENGINEERING CORP. Any use or reproduction, in any form, without prior written permission of Banner is prohibited. © 2015 Banner Engineering Corp.

BANNER BANNER ENGINEERING CORP.
www.bannerengineering.com

TITLE
PIT2 M4 VALUE LINE SERIES UNTERMINATED

SIZE B DRAWING NO. **178353** REV. **B**

SCALE 3:1 SHEET 1 OF 1 CREO

- NOTES:**
1. ALL DIMENSIONS ARE MILLIMETERS [INCHES] UNLESS OTHERWISE NOTED.
 2. REFER TO "www.bannerengineering.com" FOR ADDITIONAL DATA AND SPECIFICATIONS.

