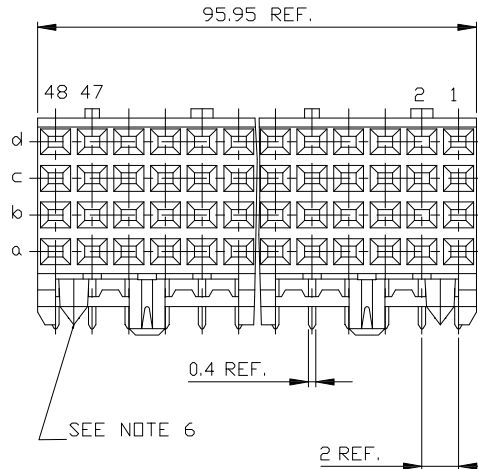
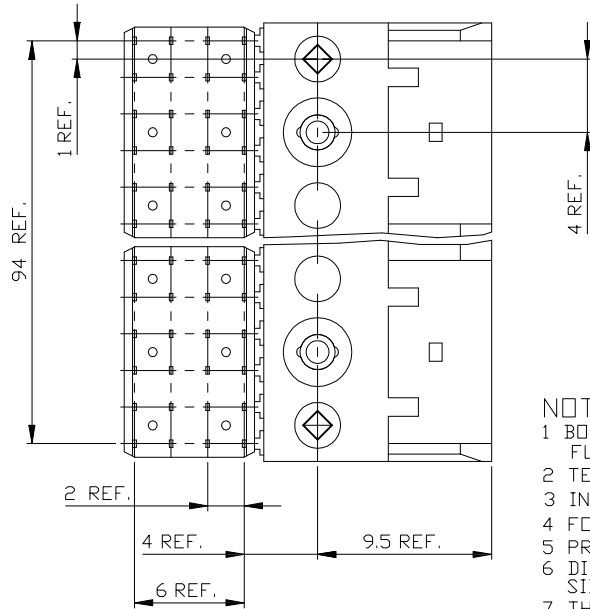
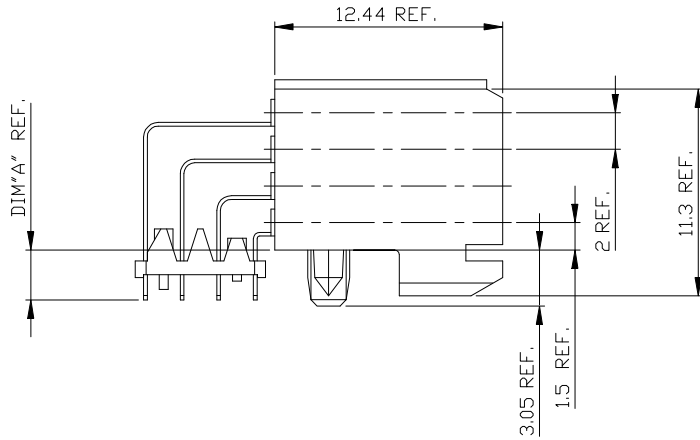


PC BOARD VERSIONS		
PRODUCTNR:	PCB THICKNESS	DIM"A"
89038-X01/X01LF	1.6	2.90
89038-X11/X11LF	2.4	3.53

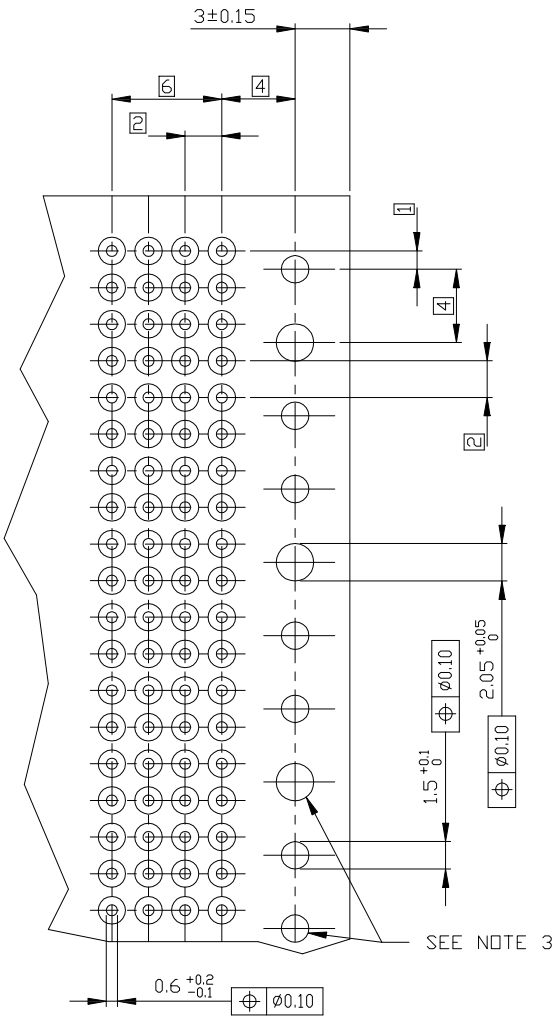


PRODUCT AFTER PC BOARD APPLICATION.

PC BOARD THICKNESS ±0.20
SEE TABLE

NOTES:

- BODY MAT'L: LIQUID CRYSTAL POLYMER 30% GLASS FLAME RETARDANT ACC. UL 94-V0
- TERMINAL MATERIAL: PHOSPHOR BRONZE.
- INDICATED HOLES ARE UNPLATED.
- FOR PLATING SPEC, REFER TO DRAWING 10097866.
- PRODUCT MARKING: PARTNUMBER & BATCH ID.
- DIAMOND LOCATION PEG ARE ONLY EXISTED ON THE BOTH T. SIDES OF PRODUCT
- THIS PRODUCT MEETS EUROPEAN UNION DIRECTIVES AND OTHER COUNTRY REGULATIONS AS DESCRIBED INGS-22-008.
- THE HOUSING WILL WITHSTAND EXPOSURE TO 260DEGREE PEAK TEMPERATURE FOR 10 SECONDS IN A WAVE SOLDER APPLICATION.



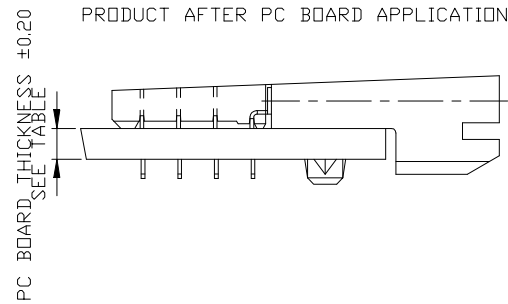
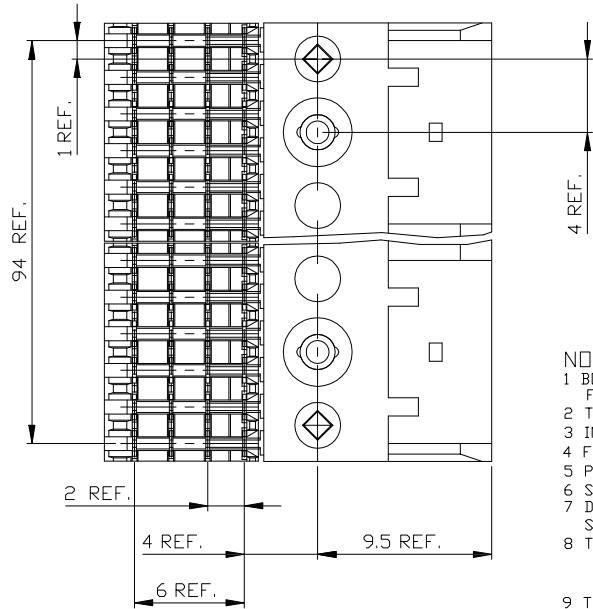
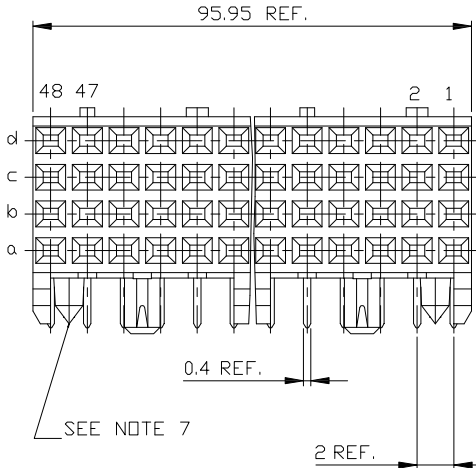
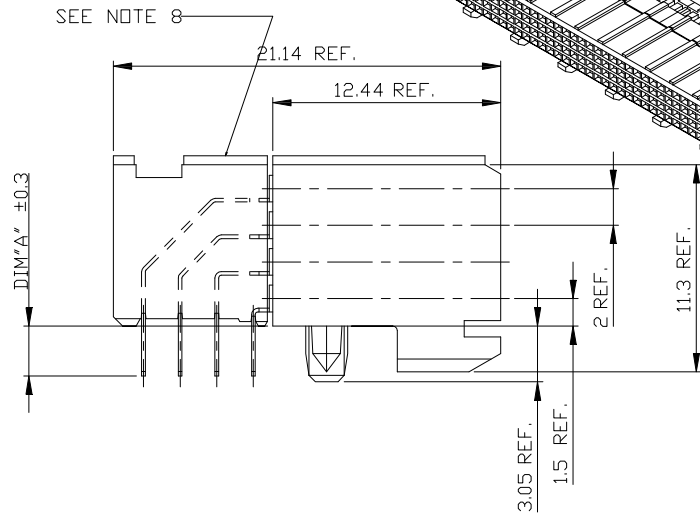
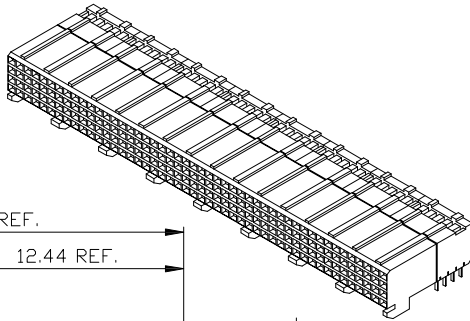
RECOMMENDED HOLE PATTERN, COMPONENT SIDE.

SEE NOTE 3

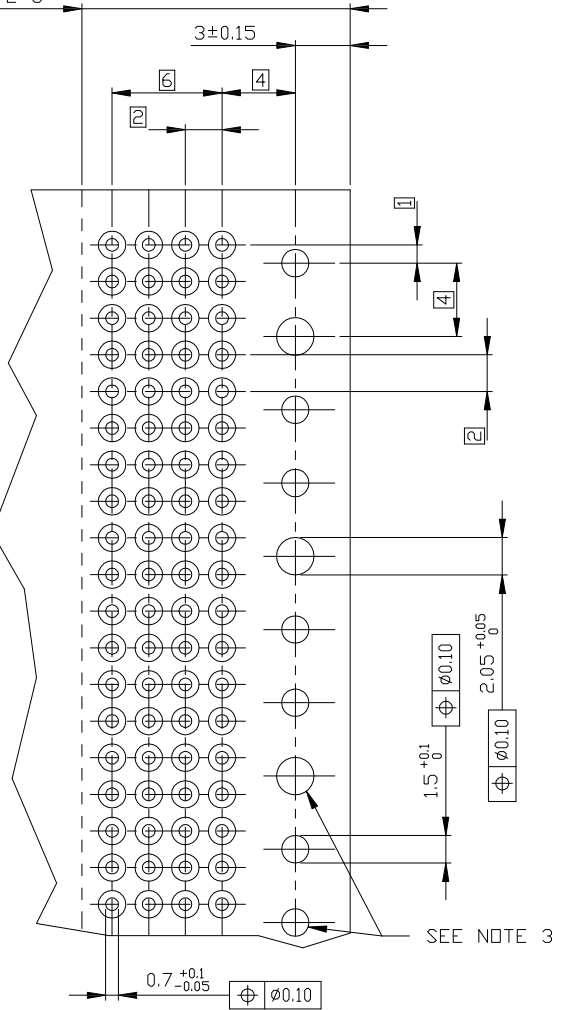
PLATING CONTACT AREA:	
DASH NR:	PERFORMANCE LEVEL
-1YY/1YYLF	TELCORDIA CO
-2YY/2YYLF	CUSTOMER SPECIAL
-3YY/3YYLF	CUSTOMER SPECIAL

mat'l. code		tolerances unless otherwise specified		CUSTOMER CDPY		FCI	
ltr	ecn	nodr	date	linear	projection	title	www.ficonnection.com
J	DG04-0104	Clu	0412/21			RA FEMALE SIGNAL	
K	DG06-0478	Cenh	11/23/06			96 mm PRESS PEG	
L	DG07-0271	Cenh	05/25/07	angles			
M	DG08-0171	TER	8/26/08	dir	H.Bouwknecht	930202	
N	DG09-0068	Cenh	03/03/09	engr	H. Bouwknecht	940311	
				chr	Slee	930203	
H	V00847	LLA	000530	app	J.Vintjes	930203	
sheet	revision	N	N			scale	5:1
index	sheet	1	2				
						product family	METRAL(tn)
						size	dwg no
							89038
						code	213
						sheet	1 of 3

PC BOARD VERSIONS		
PRODUCTNR:	PCB THICKNESS	DIM*A"
89038-X02/X02LF	1.6	2.90
89038-X12/X12LF	2.4	3.53



14.64 REF. SEE NOTE 6



RECOMMENDED HOLE PATTERN, COMPONENT SIDE.

NOTES:

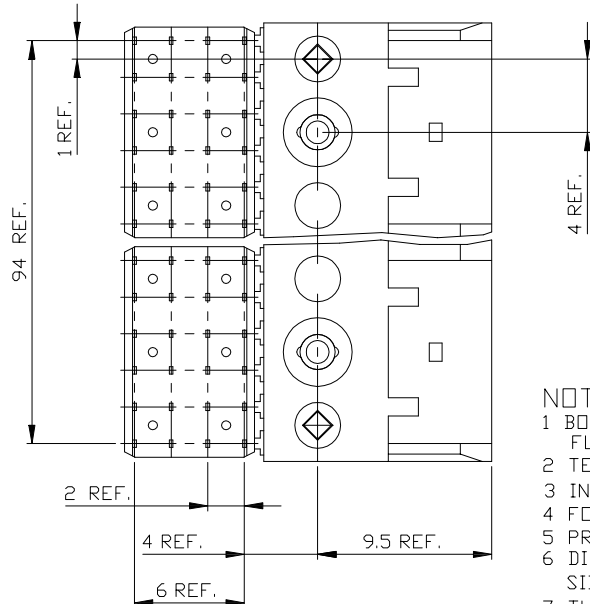
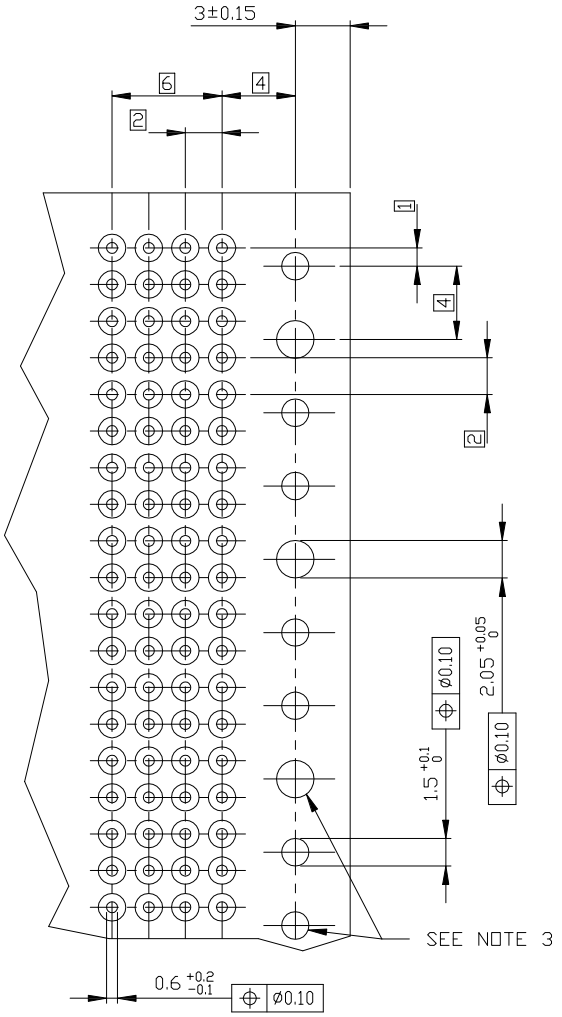
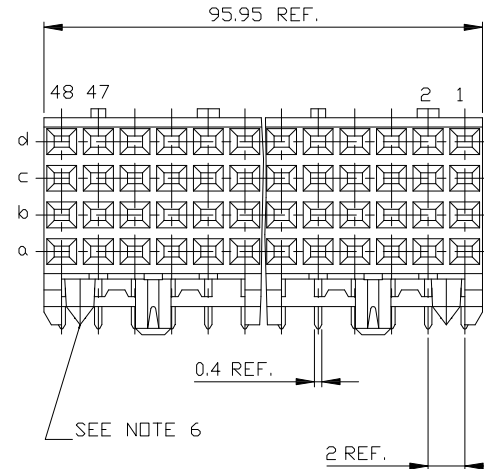
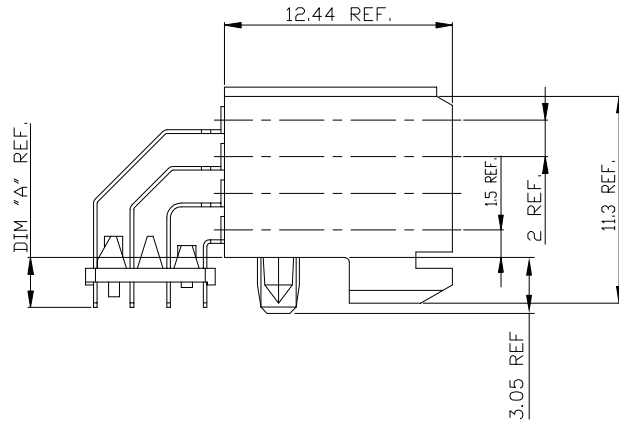
- BODY MAT'L: LIQUID CRYSTAL POLYMER 30% GLASS
FLAME RETARDANT ACC. UL 94-V0
- TERMINAL MATERIAL: PHOSPHOR BRONZE.
- INDICATED HOLES ARE UNPLATED.
- FOR PLATING SPEC, REFER TO DRAWING 10097866.
- PRODUCT MARKING: PARTNUMBER & BATCH ID.
- SET BACK FOR PRESS BLOCK.
- DIAMOND LOCATION PEG ARE ONLY EXISTED ON THE BOTH SIDES OF PRODUCT.
- TOP SURFACE OF PRESS BLOCK MAY EXTEND UP TO 0.4MM HIGHER THAN HOUSING. THIS MAY AFFECT THE TAIL LENGTH BEFORE APPLICATION TO A BOARD
- THIS PRODUCT MEETS EUROPEAN UNION DIRECTIVES AND OTHER COUNTRY REGULATIONS AS DESCRIBED IN GS-22-008
- THE HOUSING WILL WITHSTAND EXPOSURE TO 260DEGREE PEAK TEMPERATURE FOR 10 SECONDS IN A WAVE SOLDER APPLICATION.

PLATING CONTACT AREA:	
DASH NR:	PERFORMANCE LEVEL
-1YY/1YYLF	TELCORDIA CO
-2YY/2YYLF	CUSTOMER SPECIAL
-3YY/3YYLF	CUSTOMER SPECIAL

mat'l code		tolerances unless otherwise specified		CUSTOMER CDPY		 www.fciconnect.com	
ltr	ecnr	ngdr	date	linear	projection	title RA FEMALE SIGNAL	
N						96 mm PRESS PEG	
				angles		product family METRAL(tm)	code 213
				dir	D. de Bil	970529	scale
				engr	P. Schalk	970529	mm
				chr	P. Schalk	970529	A2
				app	H. Cooljans	970529	89038
sheet index	revision			size	dwg no		sheet 2 of 2
				scale	5:1		

All rights strictly reserved. Reproduction or issue in any form without written authority from the proprietor. Property of F.C.I. bv. @ F.C.I. bv.

PC BOARD VERSIONS		
PRODUCTNR:	PCB THICKNESS	DIM "A"
89038-X03/X03LF	1.6	2.90
89038-X13/X13LF	2.4	3.53



PRODUCT AFTER PC BOARD APPLICATION.

PC BOARD THICKNESS ±0.20
SEE TABLE

NOTES:

- 1 BODY MAT'L: LIQUID CRYSTAL POLYMER 30% GLASS
FLAME RETARDANT ACC. UL 94-V0
- 2 TERMINAL MATERIAL: PHOSPHOR BRONZE.
- 3 INDICATED HOLES ARE UNPLATED.
- 4 FOR PLATING SPEC, REFER TO DRAWING 10097866.
- 5 PRODUCTMARKING: PARTNUMBER & BATCH ID.
- 6 DIAMOND LOCATION PEG ARE ONLY EXISTED ON THE BOTH SIDES OF PRODUCT.
- 7 THIS PRODUCT MEETS EUROPEAN UNION DIRECTIVES AND OTHER COUNTRY REGULATIONS AS DESCRIBED IN GS-22-008 .
- 8 THE HOUSING WILL WITHSTAND EXPOSURE TO 260DEGREE PEAK TEMPERATURE FOR 10 SECONDS IN A WAVE SOLDER APPLICATION.

PLATING CONTACT AREA:

DASH NR:	PERFORMANCE LEVEL
-1YY/1YYLF	TELCORDIA CO
-2YY/2YYLF	CUSTOMER SPECIAL
-3YY/3YYLF	CUSTOMER SPECIAL

mat'l code		tolerances unless otherwise specified		CUSTOMER CDPY			
ltr	ecnr	ngdr	date	linear	projection	title RA FEMALE SIGNAL	
N				angles		product family METRAL(tn)	
				dir Heaven Cen 11/23/06	mm	size	dwg no
				engr Collins Lu 11/23/06	scale 5:1	A2	89038
				chr Beer Fu 11/23/06			
				app Joseph Hsio 11/23/06			
sheet index	revision						
	sheet						

All rights strictly reserved. Reproduction or issue do third parties in any form without written authority from the proprietor.
 Tous droits strictement réservés. Reproduction ou communication à des tiers sans autorisation écrite du propriétaire.
 Property of FCJ s.r.l.
 © F C J s.r.l.