

# BP, Center, MULTIGIG RT 2R ✓ ACTIVE

MULTIGIG RT | MULTIGIG RT 2-R

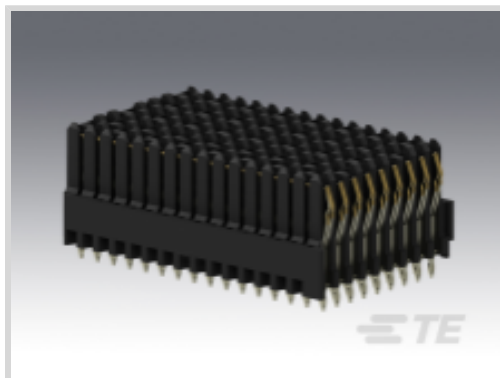
TE Part # 2102736-1

TE Internal #: 2102736-1

[View on TE.com >](#)



Connectors > PCB Connectors > Backplane Connectors > High Speed Connectors



Connector System: **Board-to-Board**

Number of Positions: **144**

Row-to-Row Spacing: **.07 mm [ 1.8 in ]**

Mating Alignment: **With**

Mating Alignment Type: **Guide Pin**

## Features

### Product Type Features

Connector System	Board-to-Board
Row-to-Row Spacing	.07 mm[1.8 in]
Connector Style	Receptacle
Shrouded	Unshrouded
Connector & Contact Terminates To	Printed Circuit Board

### Configuration Features

Number of Positions	144
Number of Rows	9
Number of Columns	16
Board-to-Board Configuration	Vertical
PCB Mount Orientation	Vertical
Guide Location	Center

### Contact Features

Contact Current Rating (Max)	1.5 A
------------------------------	-------

### Mechanical Attachment

Mating Alignment	With
Mating Alignment Type	Guide Pin
Connector Mounting Type	Board Mount

### Housing Features

Centerline (Pitch)	1.8 mm[.07 in]
--------------------	----------------

### Usage Conditions

Operating Temperature Range	-55 – 125 °C[-67 – 257 °F]
-----------------------------	----------------------------

### Operation/Application

Circuit Application	Power & Signal
---------------------	----------------

### Product Compliance

[For compliance documentation, visit the product page on TE.com>](#)

EU RoHS Directive 2011/65/EU	Not Compliant
EU ELV Directive 2000/53/EC	Not Compliant
China RoHS 2 Directive MIIT Order No 32, 2016	Restricted Materials Above Threshold
EU REACH Regulation (EC) No. 1907/2006	Current ECHA Candidate List: JAN 2019 (197) Candidate List Declared Against: JAN 2019 (197)
Halogen Content	Low Halogen - Br, Cl, F, I < 900 ppm per homogenous material. Also BFR/CFR/PVC Free
Solder Process Capability	Not reviewed for solder process capability

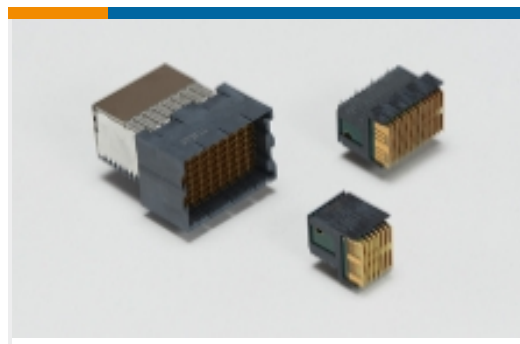
#### Product Compliance Disclaimer

This information is provided based on reasonable inquiry of our suppliers and represents our current actual knowledge based on the information they provided. This information is subject to change. The part numbers that TE has identified as EU RoHS compliant have a maximum concentration of 0.1% by weight in homogenous materials for lead, hexavalent chromium, mercury, PBB, PBDE, DBP, BBP, DEHP, DIBP, and 0.01% for cadmium, or qualify for an exemption to these limits as defined in the Annexes of Directive 2011/65/EU (RoHS2). Finished electrical and electronic equipment products will be CE marked as required by Directive 2011/65/EU. Components may not be CE marked. Additionally, the part numbers that TE has identified as EU ELV compliant have a maximum concentration of 0.1% by weight in homogenous materials for lead, hexavalent chromium, and mercury, and 0.01% for cadmium, or qualify for an exemption to these limits as defined in the Annexes of Directive 2000/53/EC (ELV). Regarding the REACH Regulations, TE's information on SVHC in articles for this part number is still based on the European Chemical Agency (ECHA) 'Guidance on requirements for substances in articles' (Version: 2, April 2011), applying the 0.1% weight on weight concentration threshold at the finished product level. TE is aware of the European Court of Justice ruling of September 10th, 2015 also known as O5A (Once An Article Always An Article) stating that, in case of 'complex object', the threshold for a SVHC must be applied to both the product as a whole and simultaneously to each of the articles forming part of its composition. TE has evaluated this ruling based on the new ECHA "Guidance on requirements for substances in articles" (June 2017, version 4.0) and will be updating its statements accordingly.

Also in the Series | [MULTIGIG RT 2-R](#)



Backplane Guide Hardware (11)



High Speed Backplane Connectors(21)

### Customers Also Bought



TE Part #2000713-6  
RA Keyed Guide Mod, Vita 46, Machined



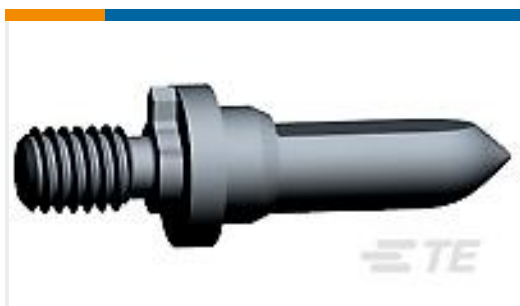
TE Part #2000713-1  
RA Keyed Guide Mod, Vita 46, Machined



TE Part #1-6450869-4  
V/R  
2ACP+1LP+32S+3HDP+1LP+1MULTIGIG RT 2R



TE Part #2102735-1  
BP, Half Left End,  
MULTIGIG RT 2R



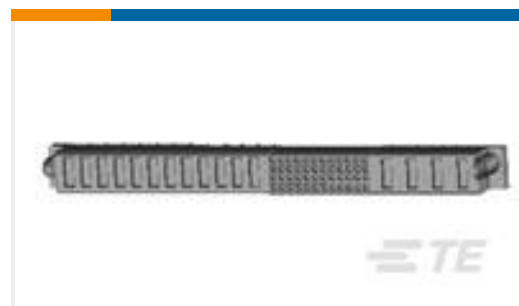
TE Part #2000676-2  
Keyed Guide Pin,  
Machined, Vita 46



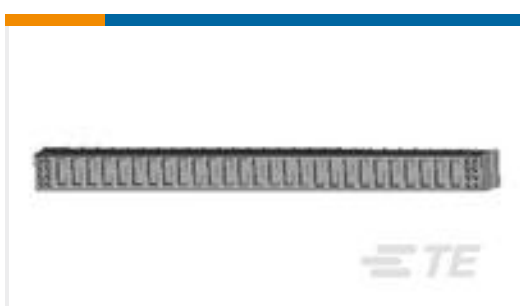
TE Part #2102737-1  
BP, Right End, MULTIGIG  
RT 2R



TE Part #1410946-1  
MULTI-GIG SOC. CAP  
SCREW, CUSTOMIZED  
HDW



TE Part #6450863-5  
MBXLE VERT RCPT 7ACP



TE Part #1-6450869-0  
V/R  
2ACP+8S+4ACP+16S+2ACP+1MULTIGIG RT 2R



TE Part #2102771-1  
DC, 7Row, Center,  
MULTIGIG RT 2R

### Documents

#### Product Drawings

BP, Center, MULTIGIG RT 2R

English

#### CAD Files

3D PDF

3D

Customer View Model

ENG\_CVM\_CVM\_2102736-1\_D.2d\_dxf.zip



English

Customer View Model

[ENG\\_CVM\\_CVM\\_2102736-1\\_D.3d\\_igs.zip](#)

English

Customer View Model

[ENG\\_CVM\\_CVM\\_2102736-1\\_D.3d\\_stp.zip](#)

English

---

### Datasheets & Catalog Pages

[MULTIGIG RT 3 and RT 2-S Connectors](#)

English

[MULTIGIG RT 2-R Ruggedized Connectors](#)

English

---

### Product Specifications

[Application Specification](#)

English

---

### Product Environmental Compliance

[REACH Substance Communication Document](#)

English