

RP28500 ✓ ACTIVE

SCHRACK | SCHRACK RY

TE Internal #: 1-1393161-9

SCHRACK RY, Relay Accessories, Sockets & Clips, Accessory,
Stainless Steel Body Material, For Use With Sockets, Metal
Retaining Clip

[View on TE.com >](#)



Relays, Contactors & Switches > Relays > Relay Accessories, Sockets & Clips



Product Type: **Accessory**

Grounding Provision: **Without**

Body Material: **Stainless Steel**

For Use With: **Sockets**

Accessory Type: **Metal Retaining Clip**

Features

Product Type Features

Product Type	Accessory
Accessory Type	Metal Retaining Clip

Configuration Features

Grounding Provision	Without
---------------------	---------

Body Features

Body Material	Stainless Steel
---------------	-----------------

Operation/Application

For Use With	Sockets
--------------	---------

Product Compliance

[For compliance documentation, visit the product page on TE.com>](#)

EU RoHS Directive 2011/65/EU	Compliant
EU ELV Directive 2000/53/EC	Compliant



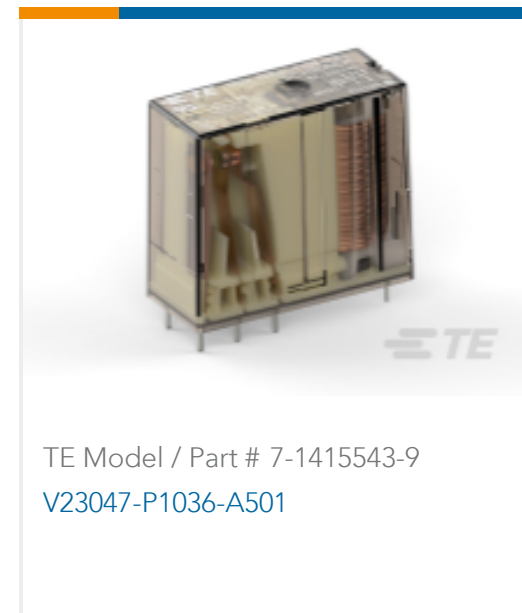
China RoHS 2 Directive MIIT Order No 32, 2016	No Restricted Materials Above Threshold
EU REACH Regulation (EC) No. 1907/2006	Current ECHA Candidate List: JAN 2020 (205) Candidate List Declared Against: JAN 2017 (173) Does not contain REACH SVHC
EU REACH Regulation (EC) No. 1907/2006	Current ECHA Candidate List: JAN 2020 (205) Candidate List Declared Against: JAN 2017 (173)
Halogen Content	Low Halogen - Br, Cl, F, I < 900 ppm per homogenous material. Also BFR/CFR/PVC Free
Solder Process Capability	Not applicable for solder process capability

Product Compliance Disclaimer

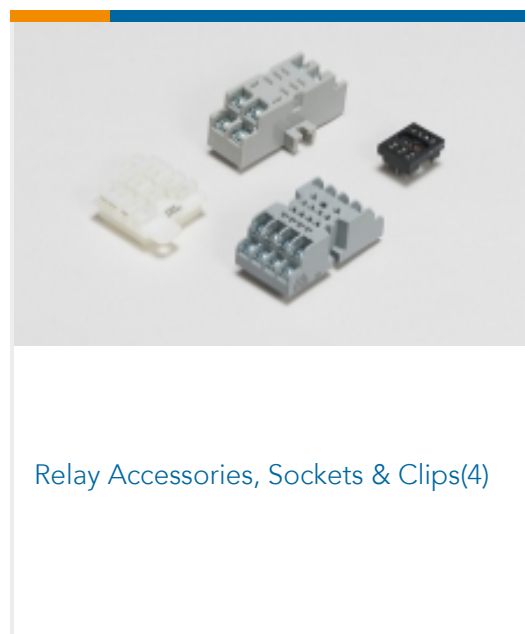
This information is provided based on reasonable inquiry of our suppliers and represents our current actual knowledge based on the information they provided. This information is subject to change. The part numbers that TE has identified as EU RoHS compliant have a maximum concentration of 0.1% by weight in homogenous materials for lead, hexavalent chromium, mercury, PBB, PBDE, DBP, BBP, DEHP, DIBP, and 0.01% for cadmium, or qualify for an exemption to these limits as defined in the Annexes of Directive 2011/65/EU (RoHS2). Finished electrical and electronic equipment products will be CE marked as required by Directive 2011/65/EU. Components may not be CE marked. Additionally, the part numbers that TE has identified as EU ELV compliant have a maximum concentration of 0.1% by weight in homogenous materials for lead, hexavalent chromium, and mercury, and 0.01% for cadmium, or qualify for an exemption to these limits as defined in the Annexes of Directive 2000/53/EC (ELV). Regarding the REACH Regulations, TE's information on SVHC in articles for this part number is still based on the European Chemical Agency (ECHA) 'Guidance on requirements for substances in articles' (Version: 2, April 2011), applying the 0.1% weight on weight concentration threshold at the finished product level. TE is aware of the European Court of Justice ruling of September 10th, 2015 also known as O5A (Once An Article Always An Article) stating that, in case of 'complex object', the threshold for a SVHC must be applied to both the product as a whole and simultaneously to each of the articles forming part of its composition. TE has evaluated this ruling based on the new ECHA "Guidance on requirements for substances in articles" (June 2017, version 4.0) and will be updating its statements accordingly.

Compatible Parts

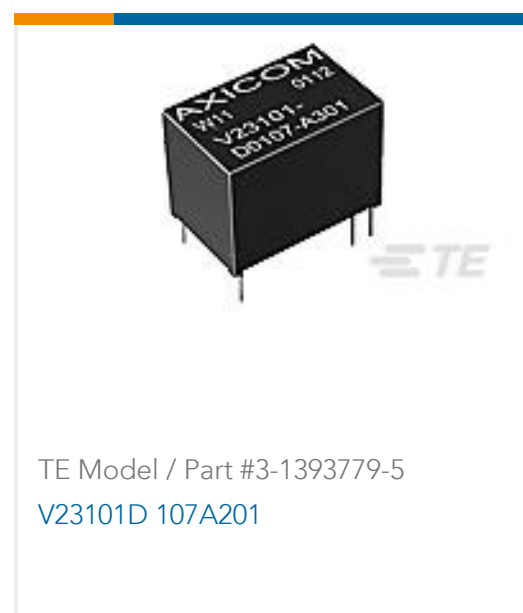
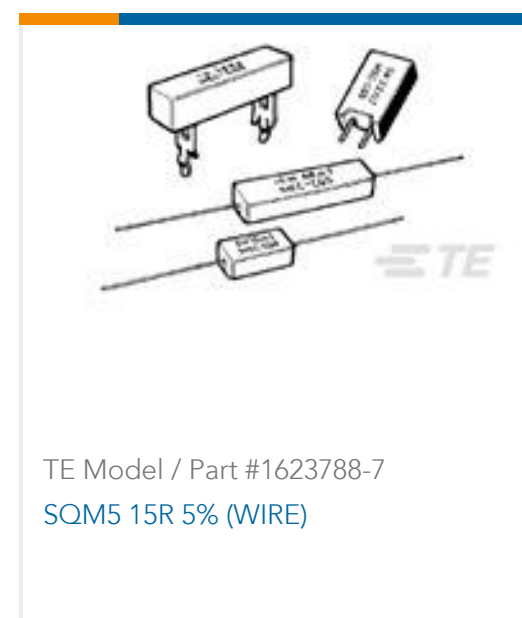
 <p>TE Model / Part # 1-1415547-7 RP41N024</p>	 <p>TE Model / Part # 7-1415543-4 V23047-P1005-A501</p>	 <p>TE Model / Part # 7-1415543-5 V23047-P1009-A501</p>	 <p>TE Model / Part # 7-1415543-6 V23047-P1012-A501</p>
---	--	--	--



Also in the Series | **SCHRACK RY**



Customers Also Bought





Documents

CAD Files

[3D PDF](#)

3D

Customer View Model

[ENG_CVM_CVM_1-1393161-9_A1.2d_dxf.zip](#)

English

Customer View Model

[ENG_CVM_CVM_1-1393161-9_A1.3d_igs.zip](#)

English

Customer View Model

[ENG_CVM_CVM_1-1393161-9_A1.3d_stp.zip](#)

English

By downloading the CAD file I accept and agree to the [Terms and Conditions](#) of use.

Datasheets & Catalog Pages

[Industrial Relays Quick Reference Guide](#)

English

[PCB Accessories Industrial Power Relays](#)

English

Product Specifications

[Definitions Relays](#)

English