

27E637=SOCKETS ✓ ACTIVE

Potter & Brumfield | Potter & Brumfield R10

TE Part # 5-1393143-1

TE Internal #: 27E637

[View on TE.com >](#)



Relays, Contactors & Switches > Relays > Relay Accessories, Sockets & Clips



Product Type: **Socket**

Socket Type: **Printed Circuit Board**

Grounding Provision: **With**

Body Material: **Polyester**

For Use With: **R10 Relays**

Features

Product Type Features

Terminal Configuration	PC Stag
Product Type	Socket
Accessory Type	Socket

Configuration Features

Grounding Provision	With
---------------------	------

Body Features

Body Material	Polyester
---------------	-----------

Contact Features

Terminal Length	5.33 mm[.21 in]
Contact Plating Material	Tin
Contact Base Material	Spring Brass
Socket Type	Printed Circuit Board
Pole Configuration	4

Termination Features

Number of Pins	16
----------------	----

Mechanical Attachment

Mounting Type	Printed Circuit Board
---------------	-----------------------

Operation/Application

For Use With	R10 Relays
--------------	------------



Other

Comment	Strip Grounding
---------	-----------------

Product Compliance

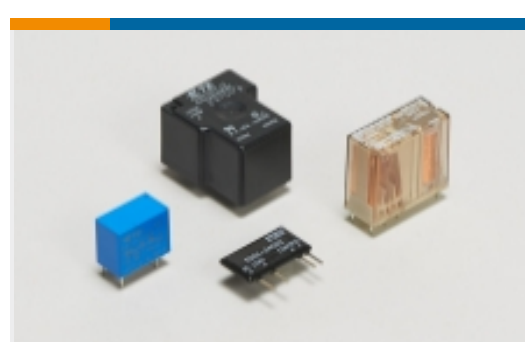
[For compliance documentation, visit the product page on TE.com>](#)

EU RoHS Directive 2011/65/EU	Compliant
EU ELV Directive 2000/53/EC	Compliant
China RoHS 2 Directive MIIT Order No 32, 2016	No Restricted Materials Above Threshold
EU REACH Regulation (EC) No. 1907/2006	Current ECHA Candidate List: JAN 2019 (197) Candidate List Declared Against: JUN 2013 (144)
Halogen Content	Not Low Halogen - contains Br or Cl > 900 ppm.
Solder Process Capability	Not applicable for solder process capability

Product Compliance Disclaimer

This information is provided based on reasonable inquiry of our suppliers and represents our current actual knowledge based on the information they provided. This information is subject to change. The part numbers that TE has identified as EU RoHS compliant have a maximum concentration of 0.1% by weight in homogenous materials for lead, hexavalent chromium, mercury, PBB, PBDE, DBP, BBP, DEHP, DIBP, and 0.01% for cadmium, or qualify for an exemption to these limits as defined in the Annexes of Directive 2011/65/EU (RoHS2). Finished electrical and electronic equipment products will be CE marked as required by Directive 2011/65/EU. Components may not be CE marked. Additionally, the part numbers that TE has identified as EU ELV compliant have a maximum concentration of 0.1% by weight in homogenous materials for lead, hexavalent chromium, and mercury, and 0.01% for cadmium, or qualify for an exemption to these limits as defined in the Annexes of Directive 2000/53/EC (ELV). Regarding the REACH Regulations, TE's information on SVHC in articles for this part number is still based on the European Chemical Agency (ECHA) 'Guidance on requirements for substances in articles' (Version: 2, April 2011), applying the 0.1% weight on weight concentration threshold at the finished product level. TE is aware of the European Court of Justice ruling of September 10th, 2015 also known as O5A (Once An Article Always An Article) stating that, in case of 'complex object', the threshold for a SVHC must be applied to both the product as a whole and simultaneously to each of the articles forming part of its composition. TE has evaluated this ruling based on the new ECHA "Guidance on requirements for substances in articles" (June 2017, version 4.0) and will be updating its statements accordingly.

Compatible Parts

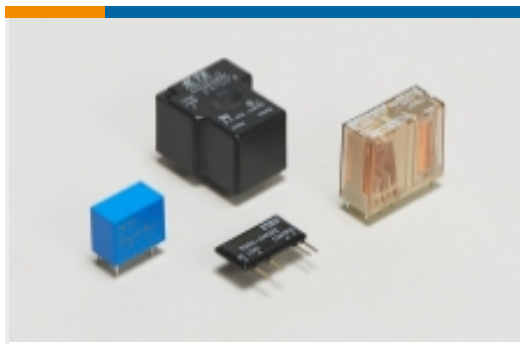


Power Relays(39)



Relay Accessories, Sockets & Clips(3)

Also in the Series | [Potter & Brumfield R10](#)

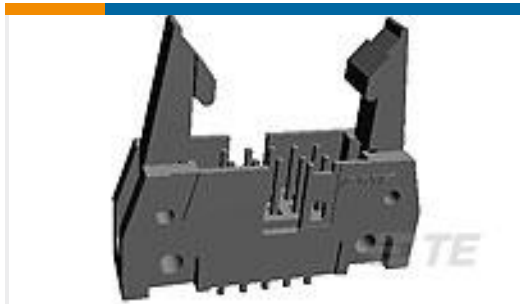


Power Relays(180)

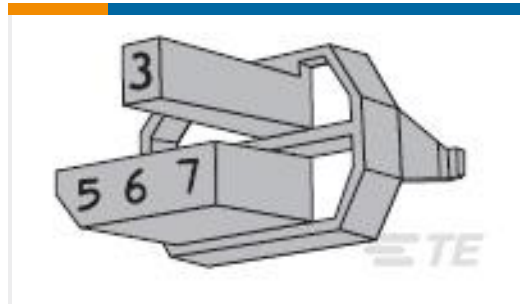


Relay Accessories, Sockets & Clips(34)

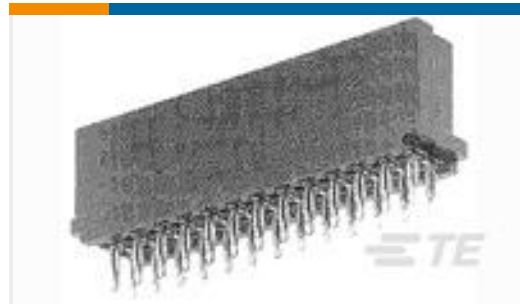
Customers Also Bought



TE Part #1-5111374-0
A/L UNIV HDR 50P VERT
LG LAT HT



TE Part #100526-8
Z-PACK F-CODING KEY



TE Part #173145-9
STACKING REC ASSY 50P



TE Part #5-1393143-0
27E636=SOCKETS



TE Part #3-1393100-6
KBP-20DG-24=KA/KB/KC
/KR



TE Part #1-1393118-1
KUP-14D11F-24=KU



TE Part #1393768-9
R10-E6X2-115V=R10



TE Part #4-1393248-8
W33-T4C1Q-5=W33



TE Part #4-1393253-4
W68-X2Q13-20=M6/M7
/M9/W6/W7

Documents

Datasheets & Catalog Pages

[Industrial Relays Quick Reference Guide](#)

English

[Industrial Relays Quick Reference Guide](#)

Japanese

[Industrial Relays Quick Reference Guide](#)

[R10 Sockets & Accessories](#)



English

Product Specifications

Definitions Relays

English