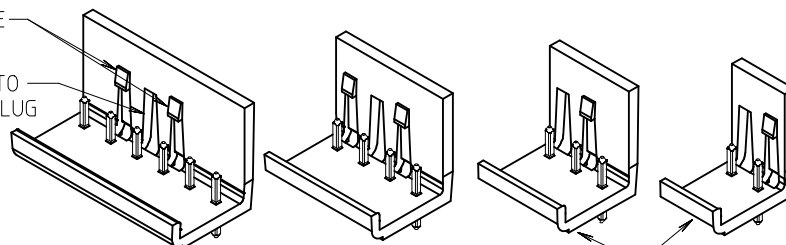


NOTES:

1. MATERIAL: SEE TABLE
2. FINISHES: SEE TABLE
3. INCH DIMS ARE SHOWN IN BRACKETS [XXX]
4. \*XX\* REFERS TO QTY. OF CIRCUITS
5. PRODUCT SPEC: PS-39980-001
6. ASSEMBLY IS ROHS COMPLIANT
7. ALL DIMS ARE REFERENCE UNLESS NOTED OTHERWISE

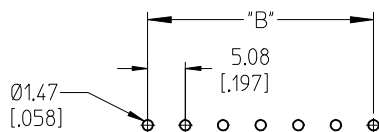
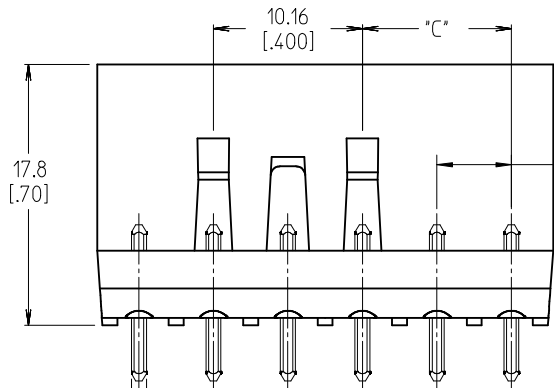
DUAL SNAP FEATURE  
CENTERED ON PLUG

ALIGNMENT FEATURE TO  
MATCH FEATURE ON PLUG

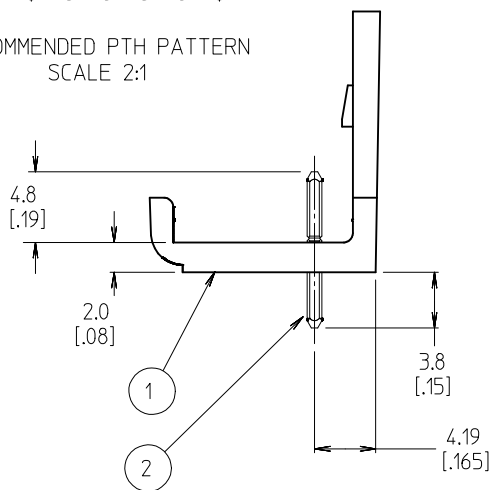


AUXILIARY VIEW  
SCALE 1:1

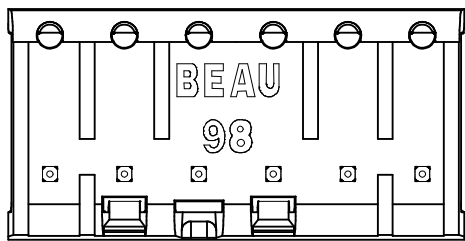
SINGLE SNAP FEATURE  
TO THE RIGHT OF ALIGNMENT  
FEATURE, 2 & 3 CIRCUIT PARTS



RECOMMENDED PTH PATTERN  
SCALE 2:1



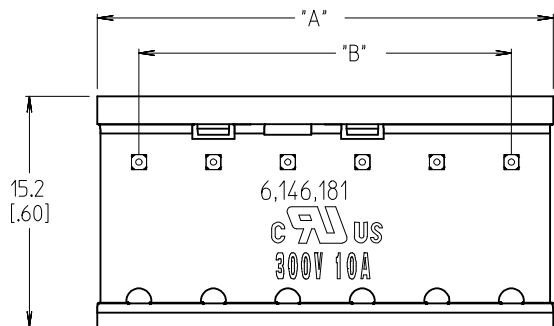
1.00 SQ.  
[039] TYP.



NUMBER OF CIRCUITS *XX*	DIM. *A* ±0.25 [±.010]	DIM. *B*	DIM. *C*	MATERIAL NO. TIN (STD)
02	10.77 [424]	5.08 [200]	N/A	39980-0402
03	15.85 [624]	5.08 [200]	5.08 [200]	39980-0403
04	20.93 [824]	15.24 [600]	5.08 [200]	39980-0404
05	26.01 [1024]	20.32 [800]	5.08 [200]	39980-0405
06	31.09 [1224]	25.40 [1000]	10.16 [400]	39980-0406
07	36.17 [1424]	30.48 [1200]	10.16 [400]	39980-0407
08	41.25 [1624]	35.56 [1400]	15.24 [600]	39980-0408
09	46.33 [1824]	40.64 [1600]	15.24 [600]	39980-0409
10	51.41 [2024]	45.72 [1800]	20.32 [800]	39980-0410
11	56.49 [2224]	50.80 [2000]	20.32 [800]	39980-0411
12	61.57 [2424]	55.88 [2200]	25.40 [1000]	39980-0412
13	66.65 [2624]	60.96 [2400]	25.40 [1000]	39980-0413
14	71.73 [2824]	66.04 [2600]	30.48 [1200]	39980-0414
15	76.81 [3024]	71.12 [2800]	30.48 [1200]	39980-0415
16	81.89 [3224]	76.20 [3000]	35.56 [1400]	39980-0416
17	86.97 [3424]	81.28 [3200]	35.56 [1400]	39980-0417
18	92.05 [3624]	86.36 [3400]	40.64 [1600]	39980-0418
19	97.13 [3824]	91.44 [3600]	40.64 [1600]	39980-0419
20	102.21 [4024]	96.52 [3800]	45.72 [1800]	39980-0420
21	107.29 [4224]	101.60 [4000]	45.72 [1800]	39980-0421
22	112.37 [4424]	106.68 [4200]	50.80 [2000]	39980-0422
23	117.45 [4624]	111.76 [4400]	50.80 [2000]	39980-0423
24	122.53 [4824]	116.84 [4600]	55.88 [2200]	39980-0424

<p>NOTE 5: PROD SPEC. ADD NOTE 7 EC NO: IFG2018-0159 DRAWN: DRINKWATERSTONE 2017/09/06 CHKD: M ZIELIN 2017/09/08 APPR: BWOODMAN 2017/09/15</p>	<p>QUALITY SYMBOLS ▽=0 ▽=0</p>	<p>GENERAL TOLERANCES (UNLESS SPECIFIED)</p>		<p>DIMENSION STYLE MM/IN</p>		SCALE	DESIGN UNITS INCH	<p>THIRD ANGLE PROJECTION</p>	
		<p>4 PLACES ± --- ± ---</p>		<p>DRAWN BY DATE R. KEMP 2001/12/05</p>		TITLE			
		<p>3 PLACES ± --- ± .005</p>		<p>CHECKED BY DATE R. KEMP 2003/10/07</p>		<p>5.08/200 SINGLE ROW EUROSTYLE HEADER ASSEMBLY</p>			
		<p>2 PLACES ± 0.13 ± .01</p>		<p>APPROVED BY DATE L. ROTHMAUS 2003/10/17</p>		<p>MOLEX MOLEX INCORPORATED</p>			
<p>1 PLACE ± 0.3 ± ---</p>		<p>ANGULAR ± 2 °</p>		<p>MATERIAL NO.</p>		<p>DOCUMENT NO.</p>		<p>SHEET NO.</p>	
<p>DRAFT WHERE APPLICABLE MUST REMAIN WITHIN DIMENSIONS</p>				<p>SEE CHART</p>		<p>SD-39980-006</p>		<p>1 OF 1</p>	
<p>SIZE B</p>				<p>THIS DRAWING CONTAINS INFORMATION THAT IS PROPRIETARY TO MOLEX INCORPORATED AND SHOULD NOT BE USED WITHOUT WRITTEN PERMISSION</p>					

ITEM	QTY.	DESCRIPTION	MATERIAL	FINISH
2	XX	HEADER PIN	BRASS	TIN
1	1	INSULATOR	NYLON	BLACK

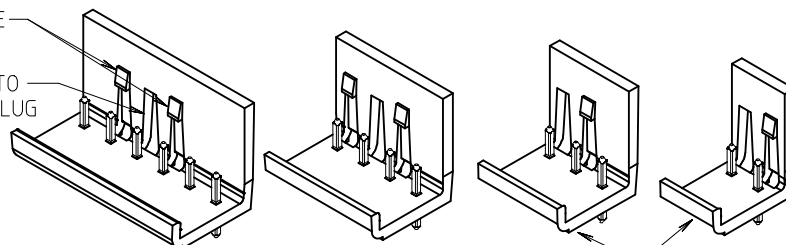


NOTES:

1. MATERIAL: SEE TABLE
2. FINISHES: SEE TABLE
3. INCH DIMS ARE SHOWN IN BRACKETS [XXX]
4. \*XX\* REFERS TO QTY. OF CIRCUITS
5. PRODUCT SPEC: PS-39980-001
6. ASSEMBLY IS ROHS COMPLIANT
7. ALL DIMS ARE REFERENCE UNLESS NOTED OTHERWISE

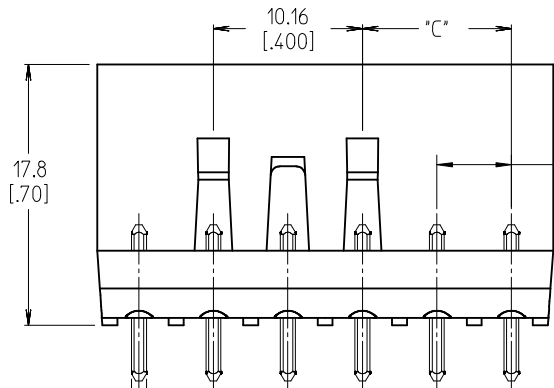
DUAL SNAP FEATURE  
CENTERED ON PLUG

ALIGNMENT FEATURE TO  
MATCH FEATURE ON PLUG

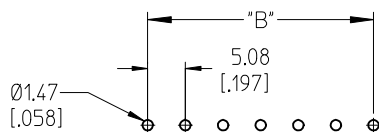


AUXILIARY VIEW  
SCALE 1:1

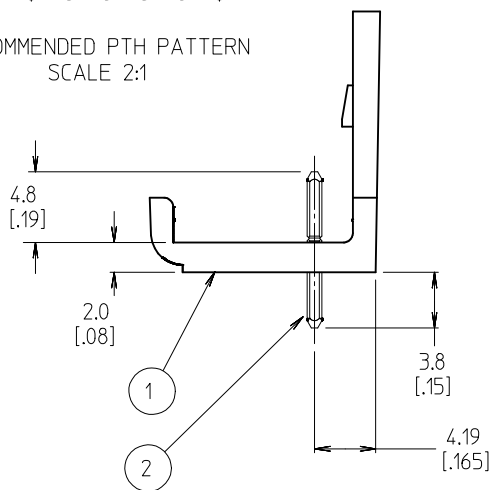
SINGLE SNAP FEATURE  
TO THE RIGHT OF ALIGNMENT  
FEATURE, 2 & 3 CIRCUIT PARTS



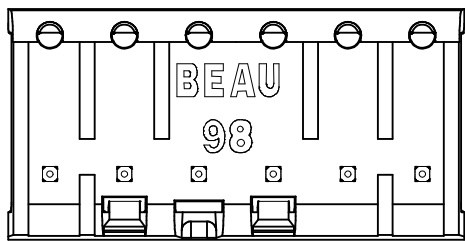
1.00 SQ.  
[.039] TYP.



RECOMMENDED PTH PATTERN  
SCALE 2:1



NUMBER OF CIRCUITS *XX*	DIM. *A* ±0.25 [±.010]	DIM. *B*	DIM. *C*	MATERIAL NO. TIN (STD)
02	10.77 [424]	5.08 [200]	N/A	39980-0402
03	15.85 [624]	5.08 [200]	5.08 [200]	39980-0403
04	20.93 [824]	15.24 [600]	5.08 [200]	39980-0404
05	26.01 [1024]	20.32 [800]	5.08 [200]	39980-0405
06	31.09 [1224]	25.40 [1000]	10.16 [400]	39980-0406
07	36.17 [1424]	30.48 [1200]	10.16 [400]	39980-0407
08	41.25 [1624]	35.56 [1400]	15.24 [600]	39980-0408
09	46.33 [1824]	40.64 [1600]	15.24 [600]	39980-0409
10	51.41 [2024]	45.72 [1800]	20.32 [800]	39980-0410
11	56.49 [2224]	50.80 [2000]	20.32 [800]	39980-0411
12	61.57 [2424]	55.88 [2200]	25.40 [1000]	39980-0412
13	66.65 [2624]	60.96 [2400]	25.40 [1000]	39980-0413
14	71.73 [2824]	66.04 [2600]	30.48 [1200]	39980-0414
15	76.81 [3024]	71.12 [2800]	30.48 [1200]	39980-0415
16	81.89 [3224]	76.20 [3000]	35.56 [1400]	39980-0416
17	86.97 [3424]	81.28 [3200]	35.56 [1400]	39980-0417
18	92.05 [3624]	86.36 [3400]	40.64 [1600]	39980-0418
19	97.13 [3824]	91.44 [3600]	40.64 [1600]	39980-0419
20	102.21 [4024]	96.52 [3800]	45.72 [1800]	39980-0420
21	107.29 [4224]	101.60 [4000]	45.72 [1800]	39980-0421
22	112.37 [4424]	106.68 [4200]	50.80 [2000]	39980-0422
23	117.45 [4624]	111.76 [4400]	50.80 [2000]	39980-0423
24	122.53 [4824]	116.84 [4600]	55.88 [2200]	39980-0424



NOTE 5: PROD SPEC.  
ADD NOTE 7  
EC NO: IFG2018-0159  
DRAWN: DRINKWATER 2017/09/06  
CHKD: M. ZIELIN 2017/09/08  
APPR: B. WOODMAN 2017/09/15

QUALITY SYMBOLS  
▽=0  
▽=0

GENERAL TOLERANCES (UNLESS SPECIFIED)

	mm	INCH
4 PLACES	± ---	± ---
3 PLACES	± ---	± .005
2 PLACES	± 0.13	± .01
1 PLACE	± 0.3	± ---

ANGULAR ± 2 °

DRAFT WHERE APPLICABLE  
MUST REMAIN WITHIN DIMENSIONS

DIMENSION STYLE  
MM/IN

DRAWN BY: R. KEMP DATE: 2001/12/05  
CHECKED BY: R. KEMP DATE: 2003/10/07  
APPROVED BY: L. ROTHBAUS DATE: 2003/10/17

MATERIAL NO.

SCALE: 5.08/200  
DESIGN UNITS: INCH  
THIRD ANGLE PROJECTION

TITLE: 5.08/200 SINGLE ROW EUROSTYLE HEADER ASSEMBLY

MOLEX INCORPORATED  
DOCUMENT NO. SD-39980-006  
SHEET NO. 1 OF 1

ITEM	QTY.	DESCRIPTION	MATERIAL	FINISH
2	XX	HEADER PIN	BRASS	TIN
1	1	INSULATOR	NYLON	BLACK