

Buchanan

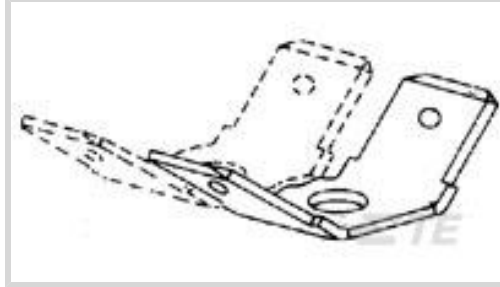
TE Part # 6-1437418-6

TE Internal #: QC21

[View on TE.com >](#)



Connectors > Terminal Blocks & Strips > Barrier Strips



Bottom Termination Style: **Quick Connect Tab**

Centerline (Pitch): **8.26 mm [.325 in]**

Features

Product Type Features

Product Type	Barrier Strip
--------------	---------------

Body Features

Tab Plating Material	Tin
----------------------	-----

Termination Features

Bottom Termination Style	Quick Connect Tab
--------------------------	-------------------

Housing Features

Centerline (Pitch)	8.26 mm [.325 in]
--------------------	-------------------

Dimensions

Length	17.14 mm [.675 in]
--------	--------------------

Packaging Features

Packaging Method	Package
Packaging Quantity	1

Product Compliance

[For compliance documentation, visit the product page on TE.com>](#)

EU RoHS Directive 2011/65/EU	Not Yet Reviewed
EU ELV Directive 2000/53/EC	Not Yet Reviewed
China RoHS 2 Directive MIIT Order No 32, 2016	No Restricted Materials Above Threshold
EU REACH Regulation (EC) No. 1907/2006	Current ECHA Candidate List: JAN 2019 (197) Candidate List Declared Against: JUN 2018 (191)



Halogen Content	Low Halogen - Br, Cl, F, I < 900 ppm per homogenous material. Also BFR/CFR/PVC Free
Solder Process Capability	Wave solder capable to 265°C

Product Compliance Disclaimer

This information is provided based on reasonable inquiry of our suppliers and represents our current actual knowledge based on the information they provided. This information is subject to change. The part numbers that TE has identified as EU RoHS compliant have a maximum concentration of 0.1% by weight in homogenous materials for lead, hexavalent chromium, mercury, PBB, PBDE, DBP, BBP, DEHP, DIBP, and 0.01% for cadmium, or qualify for an exemption to these limits as defined in the Annexes of Directive 2011/65/EU (RoHS2). Finished electrical and electronic equipment products will be CE marked as required by Directive 2011/65/EU. Components may not be CE marked. Additionally, the part numbers that TE has identified as EU ELV compliant have a maximum concentration of 0.1% by weight in homogenous materials for lead, hexavalent chromium, and mercury, and 0.01% for cadmium, or qualify for an exemption to these limits as defined in the Annexes of Directive 2000/53/EC (ELV). Regarding the REACH Regulations, TE's information on SVHC in articles for this part number is still based on the European Chemical Agency (ECHA) 'Guidance on requirements for substances in articles' (Version: 2, April 2011), applying the 0.1% weight on weight concentration threshold at the finished product level. TE is aware of the European Court of Justice ruling of September 10th, 2015 also known as O5A (Once An Article Always An Article) stating that, in case of 'complex object', the threshold for a SVHC must be applied to both the product as a whole and simultaneously to each of the articles forming part of its composition. TE has evaluated this ruling based on the new ECHA "Guidance on requirements for substances in articles" (June 2017, version 4.0) and will be updating its statements accordingly.

Customers Also Bought



TE Part #2-103169-8
60 MODII HDR DRST
SHRD .100CL



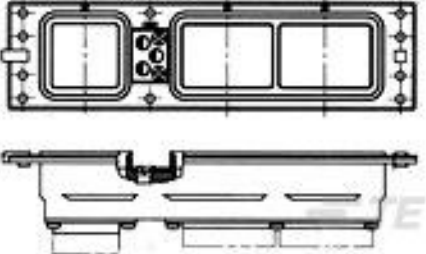
TE Part #66471-1
PIN,.062 DIA,.045 SQ
POST,LP



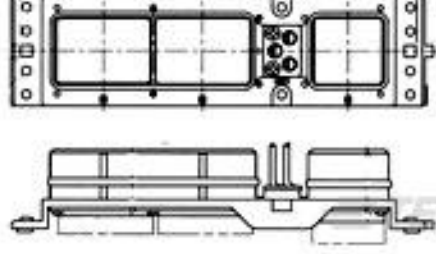
TE Part #4-794620-8
18P MICRO MNL ASSY,R
/A,HDR,LF



TE Part #1218820-1
COAX SZ 8 ARINC
SOCKET CONTACT



TE Part #1996164-1
ARINC 600,SZ 2,RCPT



TE Part #1996254-1
A600,SZ2P,120T2/BLNK/85,
eNi,10



TE Part #2101650-1
A600R,Sz2,12072/ / 85 all
FR



TE Part #5-1375583-5
06 MTE VERTICAL SMT
HDR 30 AU



TE Part #6-87589-4
36 MODII HDR DRST
SHRD .100CL



Documents

Product Drawings

QC21=QUICK CONNECT BLADE

English