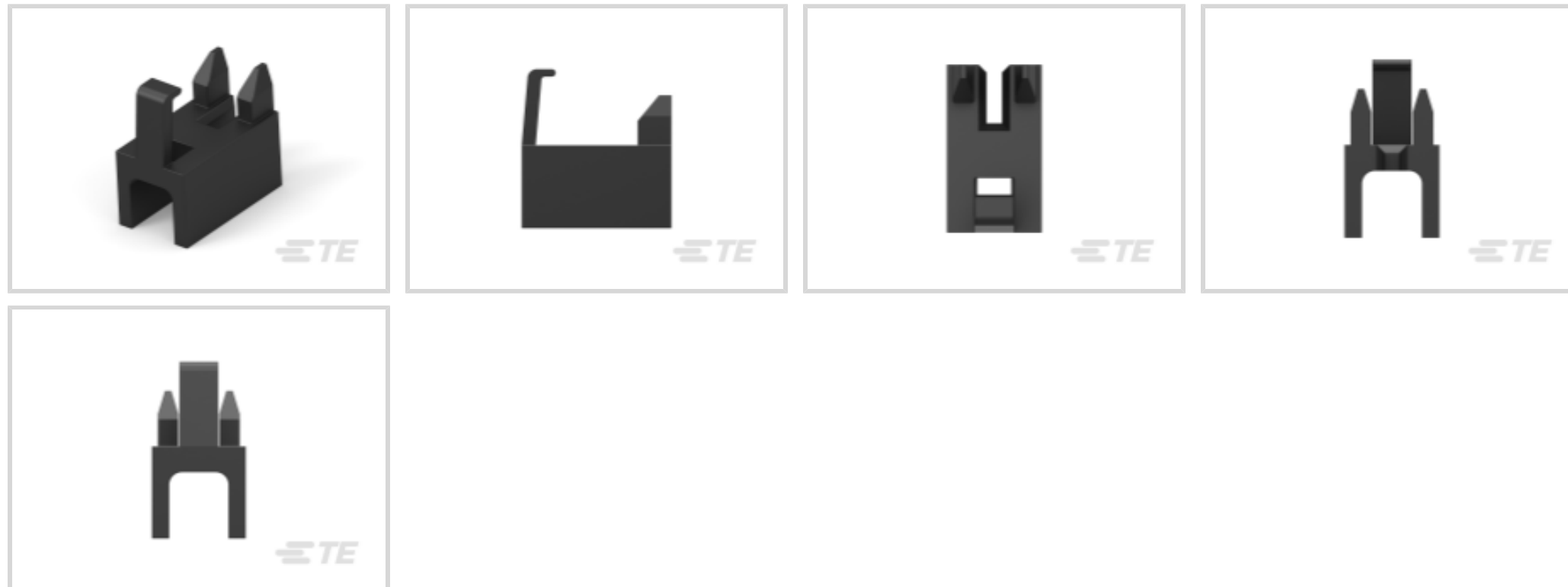




Connectors > Terminal Blocks & Strips > Barrier Strips



Circuit Application: Power

Features

Product Type Features

Product Type	Barrier Strip
--------------	---------------

Body Features

Color	Black
-------	-------

Housing Features

Housing Material	Nylon 6/6
------------------	-----------

Dimensions

Length	16.38 mm
--------	----------

Operation/Application

Circuit Application	Power
---------------------	-------

Packaging Features

Packaging Method	Package
Packaging Quantity	100

Product Compliance

[For compliance documentation, visit the product page on TE.com>](#)

EU RoHS Directive 2011/65/EU	Compliant
EU ELV Directive 2000/53/EC	Compliant

China RoHS 2 Directive MIIT Order No 32, 2016

No Restricted Materials Above Threshold

EU REACH Regulation (EC) No. 1907/2006

Current ECHA Candidate List: JUL 2021 (219)
 Candidate List Declared Against: JAN 2021 (211)
 SVHC > Threshold:
 Not Yet Reviewed

Halogen Content

Low Halogen - Br, Cl, F, I < 900 ppm per homogenous material. Also BFR/CFR/PVC Free

Solder Process Capability

Not applicable for solder process capability

Product Compliance Disclaimer

This information is provided based on reasonable inquiry of our suppliers and represents our current actual knowledge based on the information they provided. This information is subject to change. The part numbers that TE has identified as EU RoHS compliant have a maximum concentration of 0.1% by weight in homogenous materials for lead, hexavalent chromium, mercury, PBB, PBDE, DBP, BBP, DEHP, DIBP, and 0.01% for cadmium, or qualify for an exemption to these limits as defined in the Annexes of Directive 2011/65/EU (RoHS2). Finished electrical and electronic equipment products will be CE marked as required by Directive 2011/65/EU. Components may not be CE marked. Additionally, the part numbers that TE has identified as EU ELV compliant have a maximum concentration of 0.1% by weight in homogenous materials for lead, hexavalent chromium, and mercury, and 0.01% for cadmium, or qualify for an exemption to these limits as defined in the Annexes of Directive 2000/53/EC (ELV). Regarding the REACH Regulation, the information TE provides on SVHC in articles for this part number is based on the latest European Chemicals Agency (ECHA) 'Guidance on requirements for substances in articles' posted at this URL: <https://echa.europa.eu/guidance-documents/guidance-on-reach>

Compatible Parts

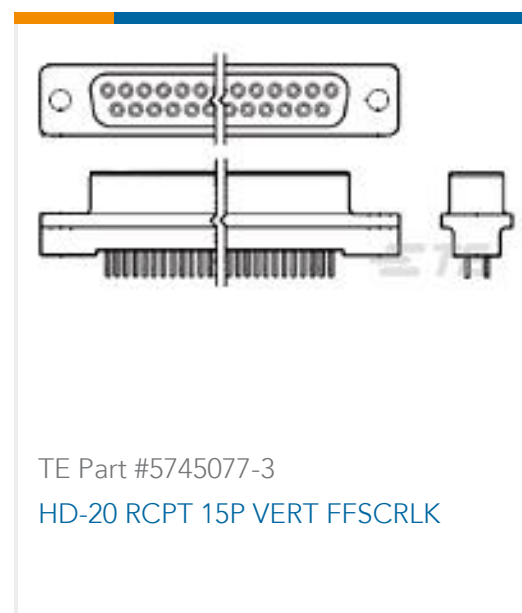


TE Part # 1986778-2
 COVER RETAINER(TB 7013771000)

Customers Also Bought



TE Part #6609000-9
 6EEAP=F7651 S0



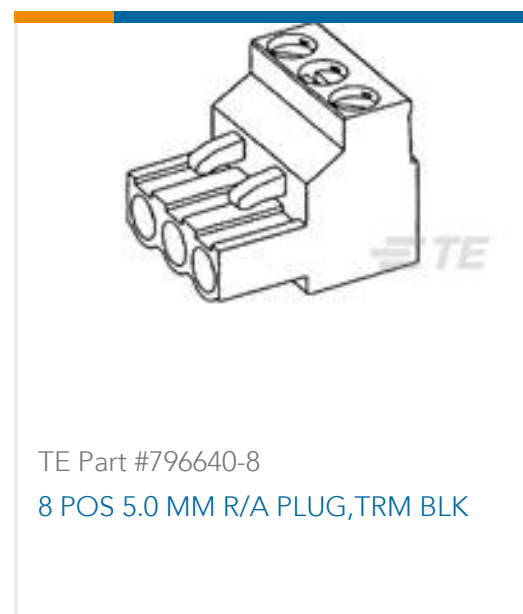
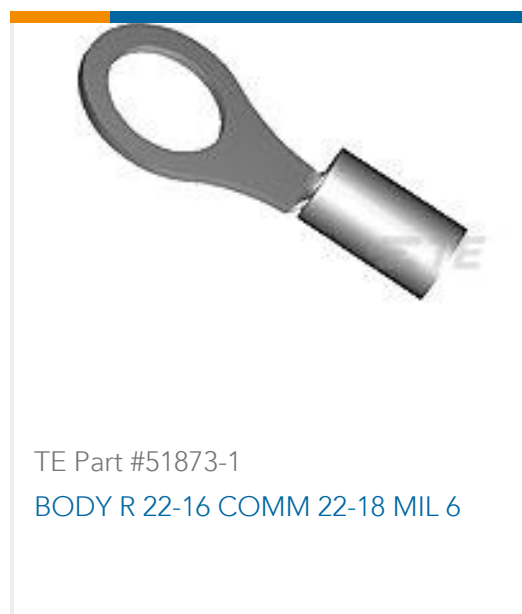
TE Part #5745077-3
 HD-20 RCPT 15P VERT FFSCRLK



TE Part #5103311-3
 A/L LOW PRO HDR 16P RA BLACK



TE Part #640383-4
 04P MTA156 HDR ASSY STR SQ SN



Documents

Product Drawings

[HR95=STANDOFF MOUNTING RSB](#)

English

CAD Files

[3D PDF](#)

3D

Customer View Model

[ENG_CVM_CVM_5-1437418-2_O.2d_dxf.zip](#)

English

Customer View Model

[ENG_CVM_CVM_5-1437418-2_O.3d_igs.zip](#)

English

Customer View Model

[ENG_CVM_CVM_5-1437418-2_O.3d_stp.zip](#)

English

By downloading the CAD file I accept and agree to the [Terms and Conditions](#) of use.

Datasheets & Catalog Pages

[BUCHANAN TERMINAL BLOCKS CATALOG - BARRIER STRIPS](#)

English