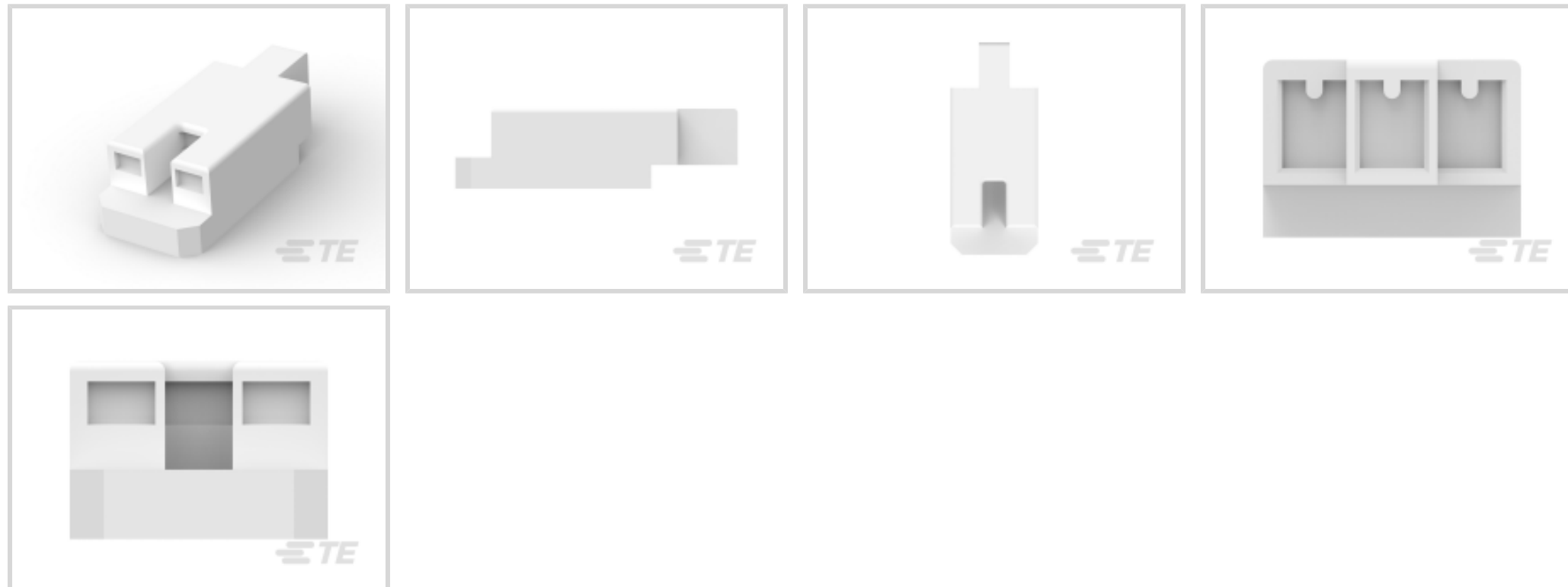




Terminals & Splices > Terminal Housings, Insulation Sleeves & Blocks > Cluster Blocks



Cluster Block Product Type: **Terminal Housing**

Number of Circuits: **3**

Cluster Block Material: **PBT**

Cluster Block Connector Style: **Receptacle**

Terminal & Splice Type: **Receptacle**

Features

Product Type Features

Cluster Block Product Type	Terminal Housing
Applies To	Wire/Cable
Cluster Block Connector Style	Receptacle
Sealable	No
Wire/Cable Type	Lead Wire

Configuration Features

Number of Circuits	3
Number of Positions	3

Body Features

Cluster Block Material	PBT
Color	Natural

Contact Features

Accepts Terminal Style	Receptacle
Terminal & Splice Type	Receptacle
Pin Diameter	3.18 mm [.125 in]



Mechanical Attachment

Mount Configuration	2 Forward - 1 Back
Mount Diameter	13.46 mm[.53 in]

Dimensions

Wire Size	.326 – 5.26 mm ²
Length	47.23 mm[1.859 in]

Usage Conditions

Operating Temperature Range	-20 – 120 °C[-4 – 248 °F]
-----------------------------	---------------------------

Packaging Features

Packaging Method	Package
Packaging Quantity	1

Product Compliance

[For compliance documentation, visit the product page on TE.com>](#)

EU RoHS Directive 2011/65/EU	Compliant
EU ELV Directive 2000/53/EC	Compliant
China RoHS 2 Directive MIIT Order No 32, 2016	No Restricted Materials Above Threshold
EU REACH Regulation (EC) No. 1907/2006	Current ECHA Candidate List: JUN 2020 (209) Candidate List Declared Against: JAN 2020 (205) Does not contain REACH SVHC
Halogen Content	Low Halogen - Br, Cl, F, I < 900 ppm per homogenous material. Also BFR/CFR/PVC Free
Solder Process Capability	Not applicable for solder process capability

Product Compliance Disclaimer

This information is provided based on reasonable inquiry of our suppliers and represents our current actual knowledge based on the information they provided. This information is subject to change. The part numbers that TE has identified as EU RoHS compliant have a maximum concentration of 0.1% by weight in homogenous materials for lead, hexavalent chromium, mercury, PBB, PBDE, DBP, BBP, DEHP, DIBP, and 0.01% for cadmium, or qualify for an exemption to these limits as defined in the Annexes of Directive 2011/65/EU (RoHS2). Finished electrical and electronic equipment products will be CE marked as required by Directive 2011/65/EU. Components may not be CE marked. Additionally, the part numbers that TE has identified as EU ELV compliant have a maximum concentration of 0.1% by weight in homogenous materials for lead, hexavalent chromium, and mercury, and 0.01% for cadmium, or qualify for an exemption to these limits as defined in the Annexes of Directive 2000/53/EC (ELV). Regarding the REACH Regulation, the information TE provides on SVHC in articles for this part number is based on the latest European Chemicals Agency (ECHA) 'Guidance on requirements for substances in articles' posted at this URL: <https://echa.europa.eu/guidance-documents/guidance-on-reach>

Compatible Parts



TE Model / Part # 62243-3
125 PIN RECEPTACLE 14-10



TE Model / Part # 1217176-1
CLUSTER BLOCK RECPT.



TE Model / Part # 1217671-1
CLSTR BLK RCPT AMVAR 1500-4200



TE Model / Part # 1217175-1
CLUSTER BLOCK RECPT.



TE Model / Part # 62244-3
125 PIN RCPT 18-16



TE Model / Part # 63455-1
Cluster Block Recpt Amplivar 4000-8500



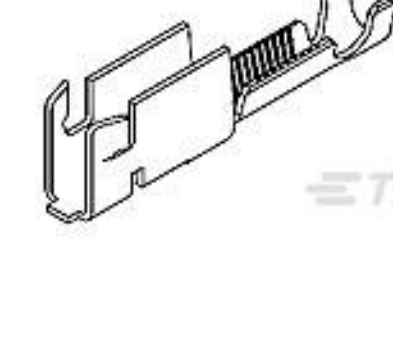
TE Model / Part # 62244-6
125 PIN RECEPTACLE 18-16



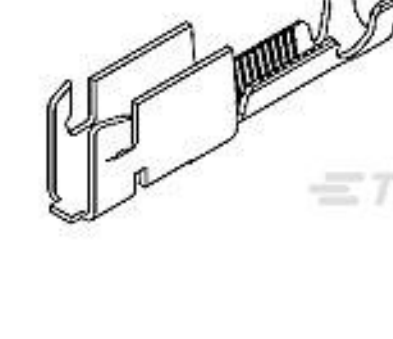
TE Model / Part # 63453-1
Cluster Block Recpt Amplivar 400-1600



TE Model / Part # 63454-1
Cluster Block Recpt Amplivar 1500-4200



TE Model / Part # 1217172-1
Cluster Block Recpt Amplivar 400-1600



TE Model / Part # 1217173-1
Cluster Block Recpt Amplivar 4000-8500



TE Model / Part # 1217174-1
Cluster Block Recpt Amplivar 1500-4200



TE Model / Part # 1217176-5
CLUSTER BLK RECPT, 18-16 020PHBR



TE Model / Part # 1217670-1
CLSTR BLK RCPT AMVAR 400-1600



TE Model / Part # 1217672-1
CLSTR BLK RCPT AMVAR 4000-8500

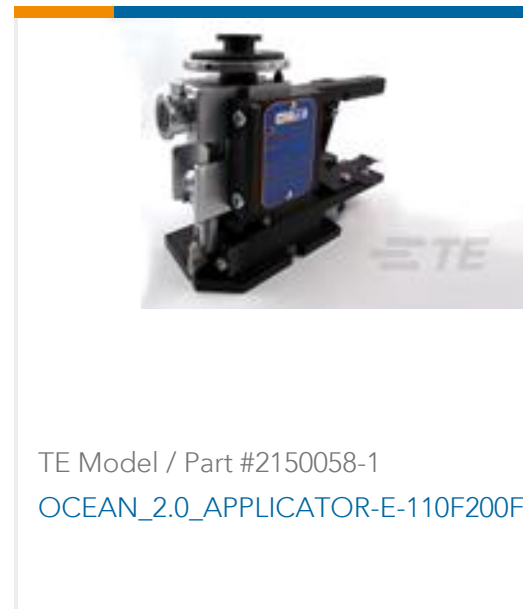


TE Model / Part # 1742657-1
CLUSTER BLOCK RECPT 22-18 020TP



TE Model / Part # 62243-5
125 PIN RECEPTACLE 14-10

Customers Also Bought



Documents

Product Drawings

CLUSTER BLOCK HOUSING

English

CAD Files

3D PDF

3D

Customer View Model

[ENG_CVM_CVM_1217200-1_L_c-1217200-1-l.2d_dxf.zip](#)

English

Customer View Model

[ENG_CVM_CVM_1217200-1_L_c-1217200-1-l.3d_igs.zip](#)

English

Customer View Model

[ENG_CVM_CVM_1217200-1_L_c-1217200-1-l.3d_stp.zip](#)

English

By downloading the CAD file I accept and agree to the [Terms and Conditions](#) of use.

Datasheets & Catalog Pages

Magnet Wire Terminals & Splices

English

Product Specifications

Application Specification

English

Product Environmental Compliance

Product Compliance



English

[Product Compliance](#)

English

[Agency Approvals](#)

[UL Report](#)

English