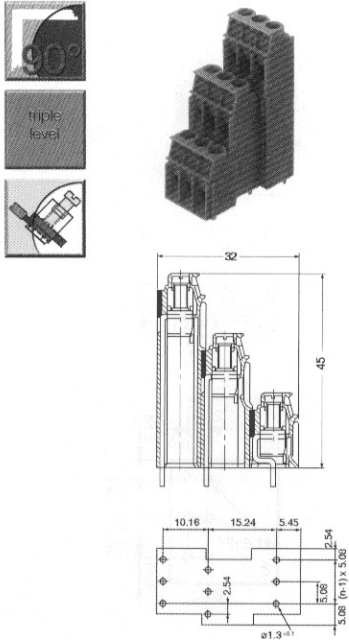


LP3R 5.08/90



Technical data	VDE	UL	CSA
Rated voltage (V)	250*	300	300
Rated current (A)	20	15	20
Wire size (mm ² /AWG)	4.0	26...12	26...12

*Pollution severity 3 / Overvoltage category III

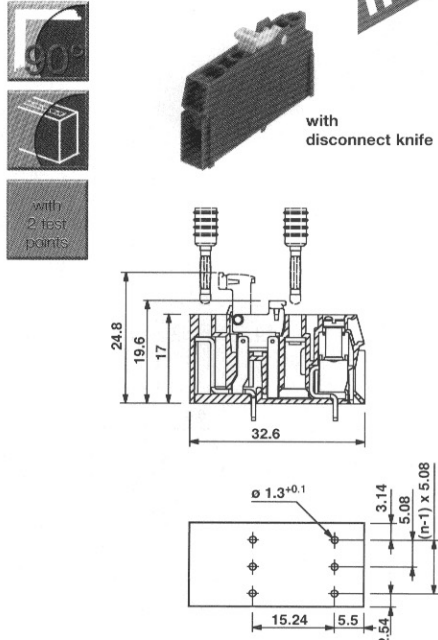
Additional technical data see page 58

Solder pin length 4.5 mm 4.5 mm

Poles	Type	Part No.	Part No.	Qty.
6	LP3R 5.08/6/90	1653940000	1695940000	50
9	LP3R 5.08/9/90	1596330000	1695950000	50
12	LP3R 5.08/12/90	1596350000	-	
15	LP3R 5.08/15/90	1596370000	-	
18	LP3R 5.08/18/90	1596390000	-	
21	LP3R 5.08/21/90	1633010000	-	
24	LP3R 5.08/24/90	1596410000	-	
27	LP3R 5.08/27/90	1633020000	-	
30	LP3R 5.08/30/90	1596430000	-	
33	LP3R 5.08/33/90	1633030000	-	
36	LP3R 5.08/36/90	1633040000	-	
39	LP3R 5.08/39/90	1633050000	-	
42	LP3R 5.08/42/90	1633060000	-	
45	LP3R 5.08/45/90	1633070000	-	
48	LP3R 5.08/48/90	1633080000	-	
51	LP3R 5.08/51/90	1633090000	-	
54	LP3R 5.08/54/90	1633100000	-	
57	LP3R 5.08/57/90	1633110000	-	
60	LP3R 5.08/60/90	1633120000	-	
63	LP3R 5.08/63/90	1633130000	-	
66	LP3R 5.08/66/90	1633140000	-	
69	LP3R 5.08/69/90	1633150000	-	
72	LP3R 5.08/72/90	1633160000	-	

Accessories	Page
Marking	40
Mounting	46
Miscellaneous	43, 45

LPTR 5.08/90



Technical data	VDE	UL	CSA
Rated voltage (V)	250*	300	300
Rated current (A)	20	15	20
Wire size (mm ² /AWG)	4.0	26...12	26...12

*Pollution severity 3 / Overvoltage category III

Additional technical data see page 58

Solder pin length 4.5 mm 4.5 mm

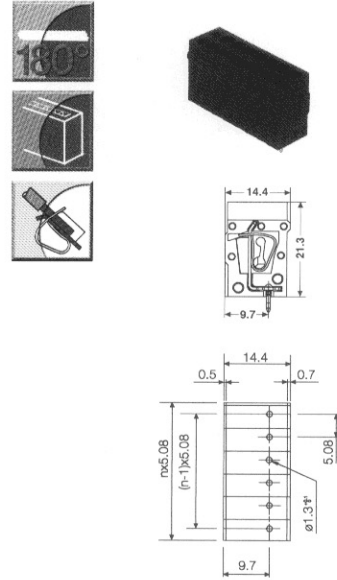
Poles	Type	Part No.	Part No.	Qty.
1	LPTR 5.08/1/90	1755230000	1755190000	100

With adaptor plate LPZP 2.54/90 (Part No. 1747480000) it is possible to create the pitch 7.62 mm.

See also page 47 "Application Examples for LP Series"

Accessories	Page
Marking	40
Mounting	46
Miscellaneous	45-46

LPZF 5.08/180



Technical data	VDE	UL	CSA
Rated voltage (V)	250*	300	300
Rated current (A)	17.5	10	18
Wire size (mm ² /AWG)	2.5	26...14	14

*Pollution severity 3 / Overvoltage category III

Additional technical data see page 55

Solder pin length 3.2 mm 4.5 mm

Poles	Type	Part No.	Part No.	Qty.
2	LPZF 5.08/2/180	1698450000	1698560000	100
3	LPZF 5.08/3/180	1698460000	1698570000	100
4	LPZF 5.08/4/180	1698470000	1698580000	100
5	LPZF 5.08/5/180	1698480000	1698590000	50
6	LPZF 5.08/6/180	1698490000	1698600000	50
7	LPZF 5.08/7/180	1698500000	1698610000	50
8	LPZF 5.08/8/180	1698510000	1698620000	50
9	LPZF 5.08/9/180	1698520000	1698630000	25
10	LPZF 5.08/10/180	1698530000	1698640000	25
11	LPZF 5.08/11/180	1698540000	1698650000	25
12	LPZF 5.08/12/180	1698550000	1698660000	25

Design compatible with LMT 5.08/180 on page 21

Accessories	Page
Marking	42
Mounting	-
Miscellaneous	45