

# 12 POS TERMI-BLOK HDR 900 POLA ✓ ACTIVE

Buchanan

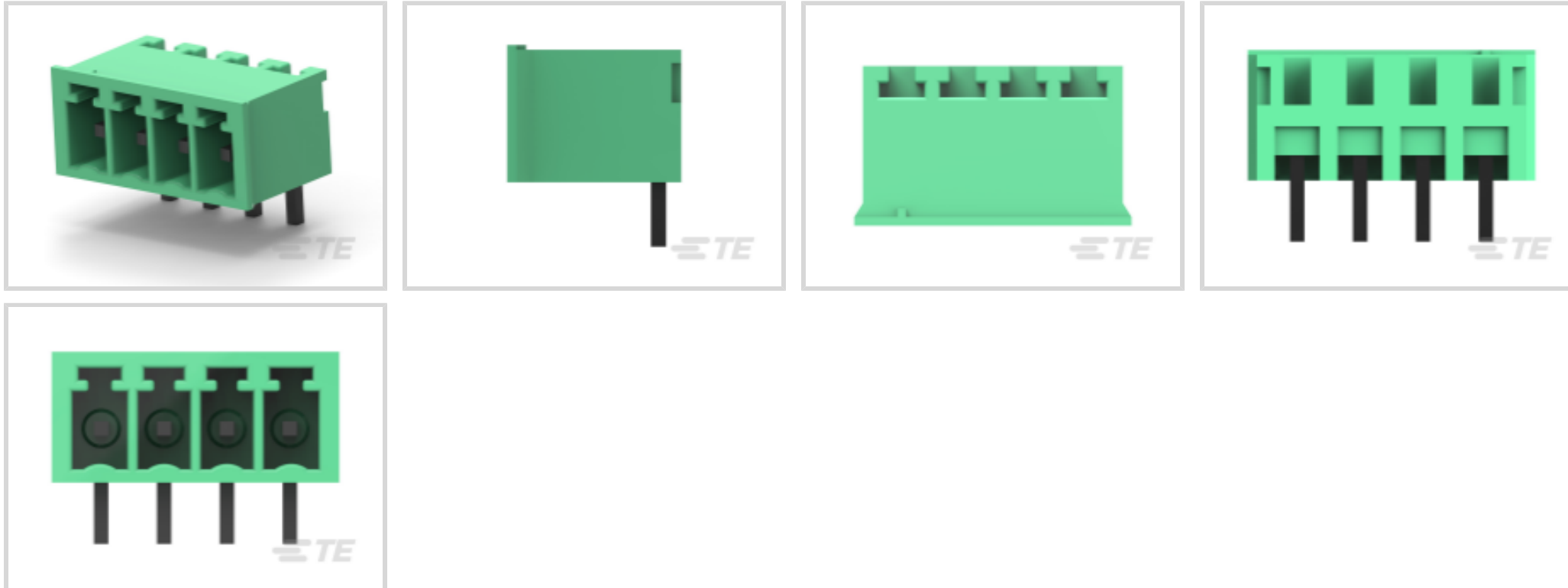
TE Part # 1-284512-2

TE Internal #: 1-284512-2

[View on TE.com >](#)



Connectors > Terminal Blocks & Strips > PCB Terminal Blocks



Connector Style: **Header**

Connector System: **Wire-to-Board**

Number of Positions: **12**

Centerline (Pitch): **3.5 mm [ .138 in ]**

Number of Rows: **1**

## Features

### Product Type Features

Block Type	PCB Mount
Header Type	Shrouded
Connector Style	Header
Connector System	Wire-to-Board
Connector & Contact Terminates To	Printed Circuit Board

### Configuration Features

Threaded Flange	Without
Closed End	With
Number of Positions	12
Number of Rows	1

### Electrical Characteristics

Current Rating (Max)	11 A
Voltage	300 VAC

### Body Features

Interlock	Without
-----------	---------



### Contact Features

Contact Mating Area Plating Material	Tin
Contact Mount	Through Hole
Contact Base Material	Phosphor Bronze
Contact Current Rating (Max)	11 A

### Mechanical Attachment

Mating Angle	90°
Screwless Terminal Block	No
Mounting Angle	Right Angle
Screw Flange	Without
Connector Mounting Type	Board Mount

### Housing Features

Housing Color	Green
Housing Material	PA 66
Centerline (Pitch)	3.5 mm[.138 in]

### Dimensions

PCB Tail Length	3.4 mm[.134 in]
Wire Size	.05 – 2 mm <sup>2</sup>

### Usage Conditions

Operating Temperature Range	-40 – 105 °C[-40 – 221 °F]
-----------------------------	----------------------------

### Operation/Application

Circuit Application	Power & Signal
---------------------	----------------

### Packaging Features

Packaging Method	Carton
Packaging Quantity	100

### Product Compliance

[For compliance documentation, visit the product page on TE.com>](#)

EU RoHS Directive 2011/65/EU	Compliant
EU ELV Directive 2000/53/EC	Compliant
China RoHS 2 Directive MIIT Order No 32, 2016	Restricted Materials Above Threshold
EU REACH Regulation (EC) No. 1907/2006	



欧洲化学品管理局最新发布的SvHCs候选清单: 2019年1月 (197)  
SvHCs候选清单的声明更新至: 2019年1月 (197)

Halogen Content  
Low Halogen - Br, Cl, F, I < 900 ppm per homogenous material. Also BFR/CFR/PVC Free

Solder Process Capability  
Wave solder capable to 265°C

Product Compliance Disclaimer

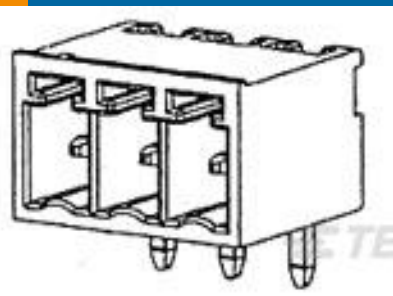
This information is provided based on reasonable inquiry of our suppliers and represents our current actual knowledge based on the information they provided. This information is subject to change. The part numbers that TE has identified as EU RoHS compliant have a maximum concentration of 0.1% by weight in homogenous materials for lead, hexavalent chromium, mercury, PBB, PBDE, DBP, BBP, DEHP, DIBP, and 0.01% for cadmium, or qualify for an exemption to these limits as defined in the Annexes of Directive 2011/65/EU (RoHS2). Finished electrical and electronic equipment products will be CE marked as required by Directive 2011/65/EU. Components may not be CE marked. Additionally, the part numbers that TE has identified as EU ELV compliant have a maximum concentration of 0.1% by weight in homogenous materials for lead, hexavalent chromium, and mercury, and 0.01% for cadmium, or qualify for an exemption to these limits as defined in the Annexes of Directive 2000/53/EC (ELV). Regarding the REACH Regulations, TE's information on SVHC in articles for this part number is still based on the European Chemical Agency (ECHA) 'Guidance on requirements for substances in articles' (Version: 2, April 2011), applying the 0.1% weight on weight concentration threshold at the finished product level. TE is aware of the European Court of Justice ruling of September 10th, 2015 also known as O5A (Once An Article Always An Article) stating that, in case of 'complex object', the threshold for a SVHC must be applied to both the product as a whole and simultaneously to each of the articles forming part of its composition. TE has evaluated this ruling based on the new ECHA "Guidance on requirements for substances in articles" (June 2017, version 4.0) and will be updating its statements accordingly.

Compatible Parts



TE Part # 1-284506-2  
12 POS TERMI-BLOK  
PLUG STAC 3,

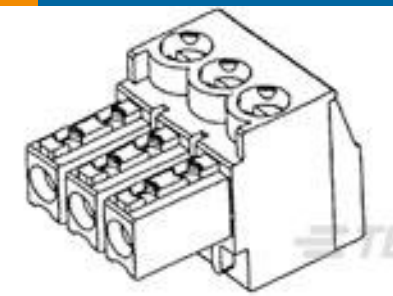
Customers Also Bought



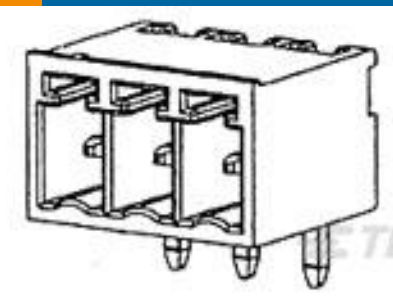
TE Part #1-284512-0  
10 POS TERMI-BLOK HDR  
900 POLA



TE Part #84982-5  
1MM FFC SMT V ASSY 5P  
EMBOSS



TE Part #1-284506-2  
12 POS TERMI-BLOK  
PLUG STAC 3,



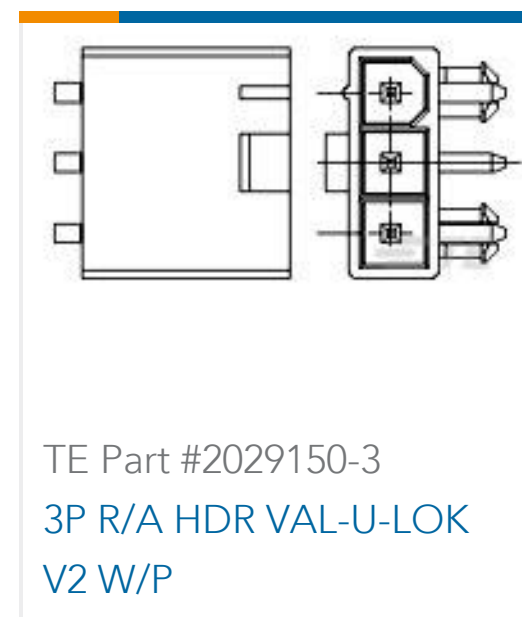
TE Part #284512-6  
6 POS TERMI-BLOK HDR  
900 POLAR



TE Part #1571625-1  
TACT,6X6,SMT,J-LEAD,  
50GF



TE Part #1744446-3  
Hdr Assy, EP 2.5 RA, 3  
Pos., GW



TE Part #2029150-3  
3P R/A HDR VAL-U-LOK  
V2 W/P



TE Part #8-1625868-6  
RP 2A 0.25W 41R2 0.1%  
25PPM 1K RL



TE Part #2176326-7  
CRGP 0603 33R 1%



TE Part #1-2176369-0  
RQ 0603 49R9 0.1% 10PPM  
5K RL

## Documents

### Product Drawings

[12 POS TERMI-BLOK HDR 900 POLA](#)

English

### CAD Files

Customer View Model

[ENG\\_CVM\\_1-284512-2\\_E1.3d\\_igs.zip](#)

English

Customer View Model

[ENG\\_CVM\\_1-284512-2\\_E1.3d\\_stp.zip](#)

English

Customer View Model

[ENG\\_CVM\\_1-284512-2\\_E1.2d\\_dxf.zip](#)

English

[3D PDF](#)

English

[3D PDF](#)

3D

### Datasheets & Catalog Pages

[BUCHANAN TERMINAL BLOCKS CATALOG - EUROSTYLE TERMINAL BLOCKS](#)

English

[Eurostyle Terminal Blocks Focus Product Stock List](#)

English

[1-1773458-1\\_EURO\\_STYLE\\_TERMINAL\\_BLOCKS\\_ORG](#)

English



[Product Specifications](#)

[Application Specification](#)

English