

2P TERMIBLOK HDR DIR VITI 3 ✓ ACTIVE

Buchanan

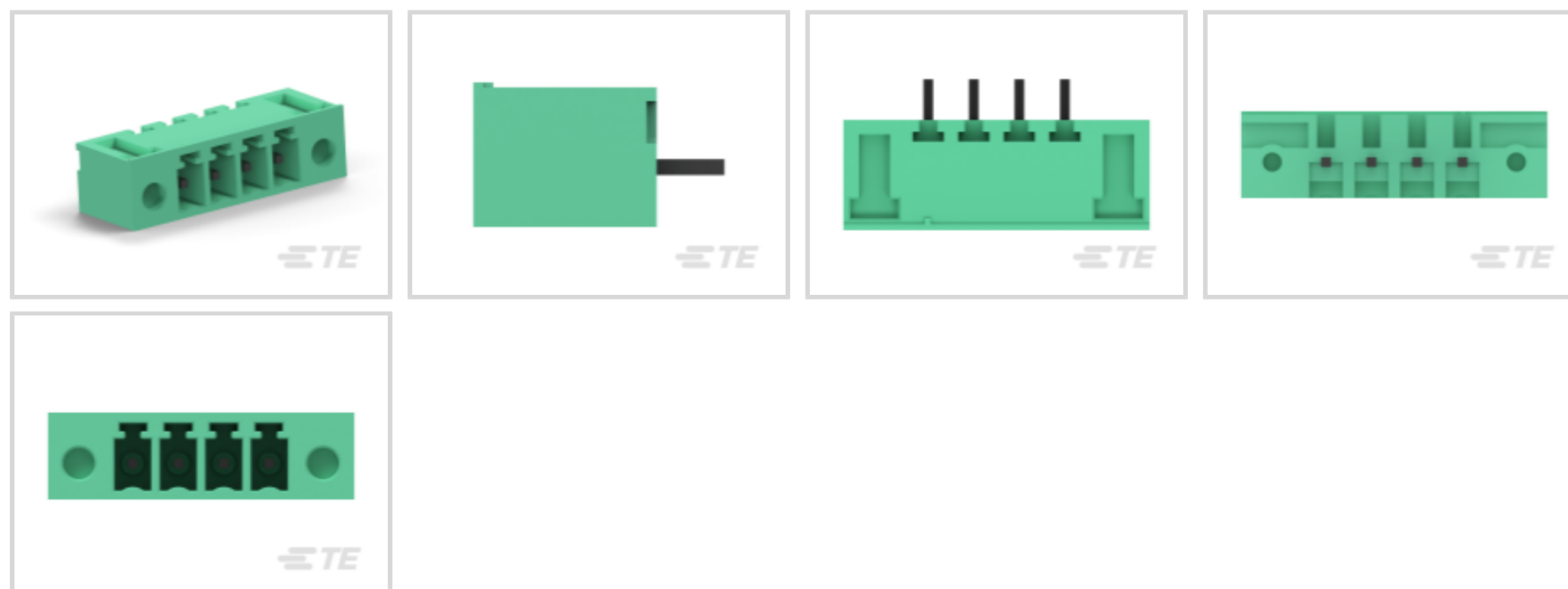
TE Part # 284519-2

TE Internal #: 284519-2

[View on TE.com >](#)



Connectors > Terminal Blocks & Strips > PCB Terminal Blocks



Connector Style: **Header**

Connector System: **Wire-to-Board**

Number of Positions: **2**

Centerline (Pitch): **3.81 mm [.1499 in]**

Number of Rows: **1**

Features

Product Type Features

Block Type	PCB Mount
Header Type	Shrouded
Connector Style	Header
Connector System	Wire-to-Board
Connector & Contact Terminates To	Printed Circuit Board

Configuration Features

Threaded Flange	With
Stacked Levels	Without
Closed End	With
Number of Positions	2
Number of Rows	1

Electrical Characteristics

Current Rating (Max)	11 A
Voltage	300 VAC

Body Features



Interlock	Without
-----------	---------

Contact Features

Contact Mating Area Plating Material	Tin
Contact Mount	Through Hole
Contact Base Material	Phosphor Bronze
Contact Current Rating (Max)	11 A

Mechanical Attachment

Mating Angle	180°
Screwless Terminal Block	No
Mounting Angle	Vertical
Screw Flange	Without
Connector Mounting Type	Board Mount

Housing Features

Housing Color	Green
Housing Material	PA 66
Centerline (Pitch)	3.81 mm[.1499 in]

Dimensions

PCB Tail Length	3.4 mm[.134 in]
Wire Size	.05 – 2 mm ²

Usage Conditions

Operating Temperature Range	-40 – 105 °C[-40 – 221 °F]
-----------------------------	----------------------------

Operation/Application

Circuit Application	Power & Signal
---------------------	----------------

Packaging Features

Packaging Quantity	300
--------------------	-----

Product Compliance

[For compliance documentation, visit the product page on TE.com>](#)

EU RoHS Directive 2011/65/EU	Compliant
EU ELV Directive 2000/53/EC	Compliant
China RoHS 2 Directive MIIT Order No 32, 2016	Restricted Materials Above Threshold
EU REACH Regulation (EC) No. 1907/2006	



Current ECHA Candidate List: JAN 2019 (197)
Candidate List Declared Against: JAN 2019 (197)

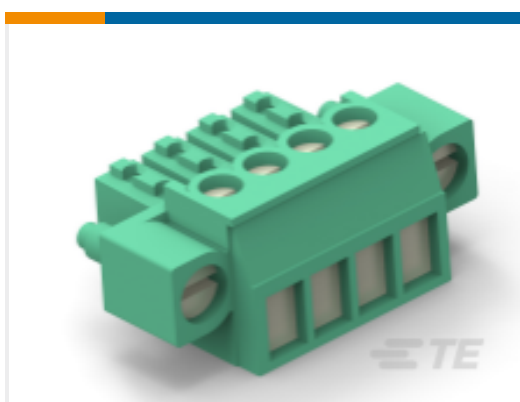
Halogen Content
Low Halogen - Br, Cl, F, I < 900 ppm per homogenous material. Also BFR/CFR/PVC Free

Solder Process Capability
Wave solder capable to 240°C

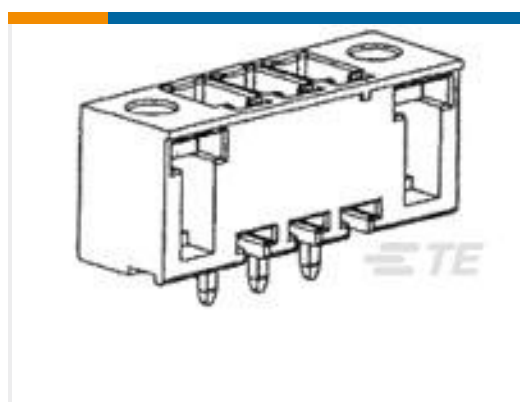
Product Compliance Disclaimer

This information is provided based on reasonable inquiry of our suppliers and represents our current actual knowledge based on the information they provided. This information is subject to change. The part numbers that TE has identified as EU RoHS compliant have a maximum concentration of 0.1% by weight in homogenous materials for lead, hexavalent chromium, mercury, PBB, PBDE, DBP, BBP, DEHP, DIBP, and 0.01% for cadmium, or qualify for an exemption to these limits as defined in the Annexes of Directive 2011/65/EU (RoHS2). Finished electrical and electronic equipment products will be CE marked as required by Directive 2011/65/EU. Components may not be CE marked. Additionally, the part numbers that TE has identified as EU ELV compliant have a maximum concentration of 0.1% by weight in homogenous materials for lead, hexavalent chromium, and mercury, and 0.01% for cadmium, or qualify for an exemption to these limits as defined in the Annexes of Directive 2000/53/EC (ELV). Regarding the REACH Regulations, TE's information on SVHC in articles for this part number is still based on the European Chemical Agency (ECHA) 'Guidance on requirements for substances in articles' (Version: 2, April 2011), applying the 0.1% weight on weight concentration threshold at the finished product level. TE is aware of the European Court of Justice ruling of September 10th, 2015 also known as O5A (Once An Article Always An Article) stating that, in case of 'complex object', the threshold for a SVHC must be applied to both the product as a whole and simultaneously to each of the articles forming part of its composition. TE has evaluated this ruling based on the new ECHA "Guidance on requirements for substances in articles" (June 2017, version 4.0) and will be updating its statements accordingly.

Compatible Parts



TE Part # 284511-2
2 POS TERMI-BLOK PLUG
C. VITI

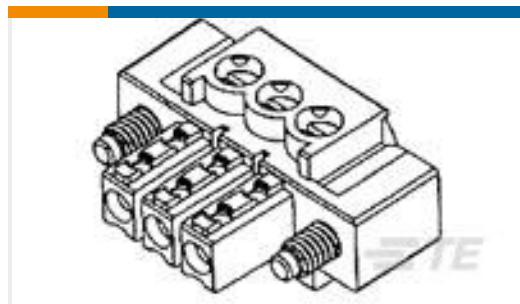


TE Part # 1776133-2
2P TERMI-BLOK HDR,
HIGH TEMP

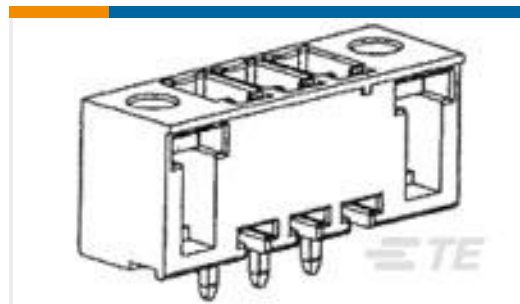
Customers Also Bought



TE Part #1-440055-2
2.0MM,HDR,12POS,R/A



TE Part #284511-2
2 POS TERMI-BLOK PLUG
C. VITI



TE Part #284519-8
8P TERMIBLOK HDR DIR
VITI 3



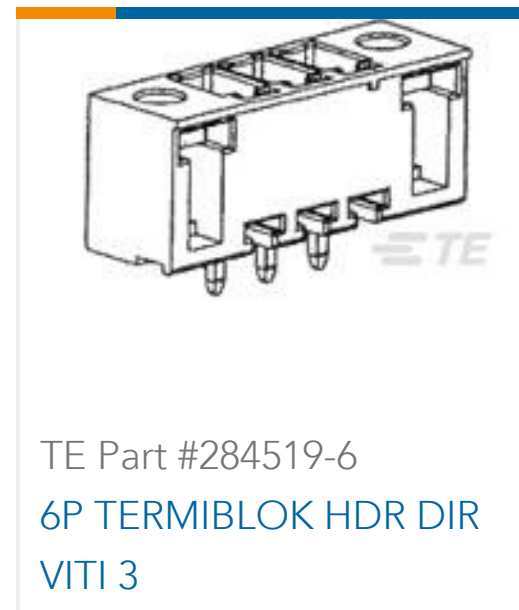
TE Part #1-2176056-2
RLP73M 2B R030 5% 5K RL



TE Part #6-103904-1
12 MTE HDR SRRA LATCH
W/HLDWN



TE Part #3-1393243-1
RTE44009



TE Part #284519-6
6P TERMIBLOK HDR DIR
VITI 3



TE Part #487576-6
14 ZIF LINE 50 ASSY



TE Part #644487-4
04P MTA100 SHRD HDR
ASSY 30AU



TE Part #8-2176304-3
RP 1E 0.1W 71R5 0.1%
25PPM 5K RL

Documents

Product Drawings

[2P TERMIBLOK HDR DIR VITI 3](#)

English

CAD Files

[3D PDF](#)

English

Customer View Model

[ENG_CVM_284519-2_B.3d_igs.zip](#)

English

Customer View Model

[ENG_CVM_284519-2_B.3d_stp.zip](#)

English

Customer View Model

[ENG_CVM_284519-2_B.2d_dxf.zip](#)

English

Datasheets & Catalog Pages

[BUCHANAN TERMINAL BLOCKS CATALOG - EUROSTYLE TERMINAL BLOCKS](#)

English

[Eurostyle Terminal Blocks Focus Product Stock List](#)

English

[1-1773458-1_EURO_STYLE_TERMINAL_BLOCKS_ORG](#)

English

Product Specifications

[Application Specification](#)



English