

# 3P UNSHROUD 5.0 HDR,HIGH TEMP ✓ ACTIVE

Buchanan

TE Part # 1546931-3

TE Internal #: 1546931-3

[View on TE.com >](#)



Connectors > Terminal Blocks & Strips > PCB Terminal Blocks



Connector Style: **Header**

Connector System: **Wire-to-Board**

Number of Positions: **3**

Centerline (Pitch): **5 mm [ .197 in ]**

Number of Rows: **1**

## Features

### Product Type Features

Block Type	PCB Mount
Header Type	Unshrouded
Connector Style	Header
Connector System	Wire-to-Board
Connector & Contact Terminates To	Printed Circuit Board

### Configuration Features

Threaded Flange	Without
Closed End	Without
Number of Positions	3
Number of Rows	1

### Electrical Characteristics

Current Rating (Max)	12 A
Voltage	300 VAC

### Contact Features

Contact Mating Area Plating Material	Tin
Contact Mount	Through Hole
Pin Length	7 mm [.275 in]
Contact Base Material	Brass
Contact Current Rating (Max)	12 A

### Mechanical Attachment

Screwless Terminal Block	No
Mounting Angle	Vertical
Screw Flange	Without
Connector Mounting Type	Board Mount

### Housing Features

Housing Color	Black
Housing Material	High Temperature Polyamide
Centerline (Pitch)	5 mm[.197 in]

### Dimensions

PCB Tail Length	3.5 mm[.138 in]
-----------------	-----------------

### Usage Conditions

Operating Temperature Range	-40 – 105 °C[-40 – 221 °F]
-----------------------------	----------------------------

### Operation/Application

Circuit Application	Power & Signal
---------------------	----------------

### Packaging Features

Packaging Quantity	1600
--------------------	------

## Product Compliance

[For compliance documentation, visit the product page on TE.com>](#)

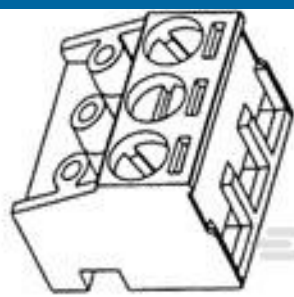
EU RoHS Directive 2011/65/EU	Compliant
EU ELV Directive 2000/53/EC	Compliant
China RoHS 2 Directive MIIT Order No 32, 2016	No Restricted Materials Above Threshold
EU REACH Regulation (EC) No. 1907/2006	Current ECHA Candidate List: JAN 2019 (197) Candidate List Declared Against: JAN 2019 (197)
Halogen Content	Low Halogen - Br, Cl, F, I < 900 ppm per homogenous material. Also BFR/CFR/PVC Free
Solder Process Capability	Wave solder capable to 265°C

#### Product Compliance Disclaimer

This information is provided based on reasonable inquiry of our suppliers and represents our current actual knowledge based on the information they provided. This information is subject to change. The part numbers that TE has identified as EU RoHS compliant have a maximum concentration of 0.1% by weight in homogenous materials for lead, hexavalent

chromium, mercury, PBB, PBDE, DBP, BBP, DEHP, DIBP, and 0.01% for cadmium, or qualify for an exemption to these limits as defined in the Annexes of Directive 2011/65/EU (RoHS2). Finished electrical and electronic equipment products will be CE marked as required by Directive 2011/65/EU. Components may not be CE marked. Additionally, the part numbers that TE has identified as EU ELV compliant have a maximum concentration of 0.1% by weight in homogenous materials for lead, hexavalent chromium, and mercury, and 0.01% for cadmium, or qualify for an exemption to these limits as defined in the Annexes of Directive 2000/53/EC (ELV). Regarding the REACH Regulations, TE's information on SVHC in articles for this part number is still based on the European Chemical Agency (ECHA) 'Guidance on requirements for substances in articles' (Version: 2, April 2011), applying the 0.1% weight on weight concentration threshold at the finished product level. TE is aware of the European Court of Justice ruling of September 10th, 2015 also known as O5A (Once An Article Always An Article) stating that, in case of 'complex object', the threshold for a SVHC must be applied to both the product as a whole and simultaneously to each of the articles forming part of its composition. TE has evaluated this ruling based on the new ECHA "Guidance on requirements for substances in articles" (June 2017, version 4.0) and will be updating its statements accordingly.

### Compatible Parts



TE Part # 282830-3  
TERMI-BLOK PLUG  
90&180 3P. 5



TE Part # 1546018-3  
3 POS TERMI-BLOK PLUG  
90 & 180



TE Part # 1546173-3  
5MM PLUG,90/180,3 POS,  
GREEN,SN

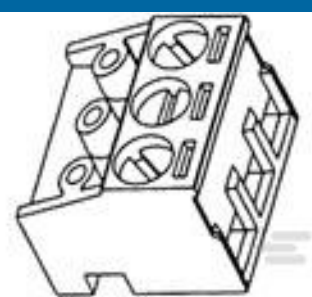


TE Part # 3-282830-0  
EUROSTYLE TB SPECIAL  
INK STAMP

### Customers Also Bought



TE Part # 1546931-2  
2P UNSHROUD 5.0 HDR,  
HIGH TEMP



TE Part # 282830-3  
TERMI-BLOK PLUG  
90&180 3P. 5



TE Part # 1571384-2  
CAP,ORANGE



TE Part # 1-641119-0  
10P MTA156 HDR ASSY FL  
/ST 15AU



TE Part # 1-643464-3  
07P MTA156 HDR ASSY FL  
/STR SN



TE Part # 1415521-1  
RFH54006WG



TE Part # 1571384-1  
CAP,GREEN



TE Part # 1571384-5  
CAP,VIOLET



## Documents

### Product Drawings

[3P UNSHROUD 5.0 HDR,HIGH TEMP](#)

English

### CAD Files

Customer View Model

[ENG\\_CVM\\_CVM\\_1546931-3\\_A.2d\\_dxf.zip](#)

English

### 3D PDF

3D

Customer View Model

[ENG\\_CVM\\_CVM\\_1546931-3\\_A.3d\\_igs.zip](#)

English

Customer View Model

[ENG\\_CVM\\_CVM\\_1546931-3\\_A.3d\\_stp.zip](#)

English

### Datasheets & Catalog Pages

[Eurostyle Terminal Blocks Focus Product Stock List](#)

English

[1-1773458-1\\_EURO\\_STYLE\\_TERMINAL\\_BLOCKS\\_QRG](#)

English

### Product Specifications

[Application Specification](#)

English

### Product Environmental Compliance

[TE Material Declaration](#)

English