

LM816 USB Wi-Fi
Datasheet

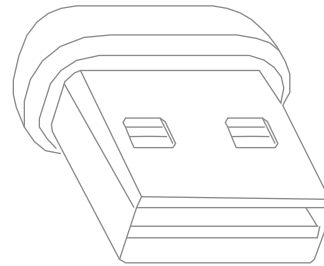




LM816 WiFi 802.11 b/g/n Nano Adapter

Host Controller Interface (HCI) via USB Interface

Product LM816
Part No See Last Page
Revised 02/AUG/2017



17mm x 15mm x 8mm

WiFi Features

- WiFi 802.11 b/g/n
- Operates in 2.4 GHz frequency bands
- Plug and Play (Linux, macOS X, Windows XP – 10, Windows 10 IoT Core and Windows Compact Embedded 6/7 compatible)
- Fully-featured software utility for easy configuration and management
- 1x1 MIMO technology improves effective throughput and range over existing 802.11 b/g products
- Up to 150Mbps Data Transfer Rate
- BPSK, QPSK, 16 QAM, 64 QAM, DBPSK, DQPSK, and CCK modulation schemes
- WEP, TKIP, and AES, WPA, WPA2 hardware encryption Schemes
- Can be setup as an ad-hoc network for peer to peer communication
- Small convenient size
- RoHS, REACH and WEEE compliant
- See our website for this products certifications.



Overview

The LM816 WiFi adapter is fully compliant with IEEE 802.11 n, b and g standards. It supports a data transfer rate of up to 150Mbps in ad-hoc mode or infrastructure mode network architectures.

It is designed to provide excellent performance with low power consumption and enhance a robust system.



LM816 WiFi 802.11 b/g/n Nano Adapter

Host Controller Interface (HCI) via USB Interface

Product LM816
Part No See Last Page

General Specification

Wireless

Wireless Standard	802.11 b/g/n
Module Type	Host Controller Interface (HCI)
OS Compatibility	Linux, macOS X, Windows XP – 10, Windows 10 IoT Core and Windows Embedded Compact 6/7
Security	WEP 64 bit, WEP 128 bit, TKIP, AES, WPA and WPA2
Network Architecture	Ad hoc mode (Peer-to-Peer) and Infrastructure mode

Hardware

Chipset	Realtek
Antenna	Onboard Chip Antenna
Interfaces	USB 2.0 (Full Speed)
LED	Power

RF Characteristics

Tx Output Power	(+/- 2dBm): 13dBm@11n, 17dBm@11b, 15dBm@11g
Rx Sensitivity	11Mbps -80dBm@8%, 54Mbps -70dBm@10%, 150Mbps -64dBm@10%
Range (in open space)	Up to 100m (Indoor) and Up to 180m (Outdoor)
Current Consumption	Transmit: average 125 mA Receive: average 68 mA Transmit & Receive: average 105 mA
Data Transfer Rate	1,2,5,5.6,11,12,18,22,24,30,36,48,54,60,90,120 Mbps to a maximum of 150Mbps
Frequency	2.4GHz ISM Band
Modulation Scheme	BPSK/ QPSK/ 16-QAM/ 64-QAM/ DBPSK/ DQPSK/ CCK
Spread Spectrum	IEEE 802.11b: DSSS (Direct Sequence Spread Spectrum) IEEE 802.11g/n: OFDM (Orthogonal Frequency Division Multiplexing)

Physical Characteristics

Operating Temperature	-10°C to +60°C ambient temperature
Storage Temperature	-20°C to +70°C ambient temperature
Humidity	5% to 90% maximum (non-condensing)
Dimensions (L x W x H)	17mm x 15mm x 8mm
Weight	1.8 g
Certifications	See our website for this products certifications.
Compliance	RoHS, REACH and WEEE

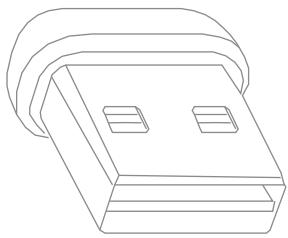


LM816 WiFi 802.11 b/g/n Nano Adapter

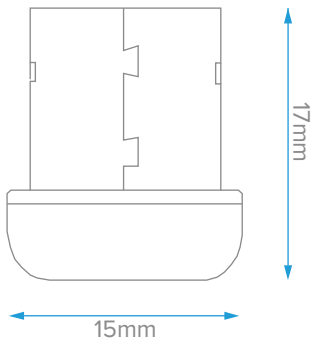
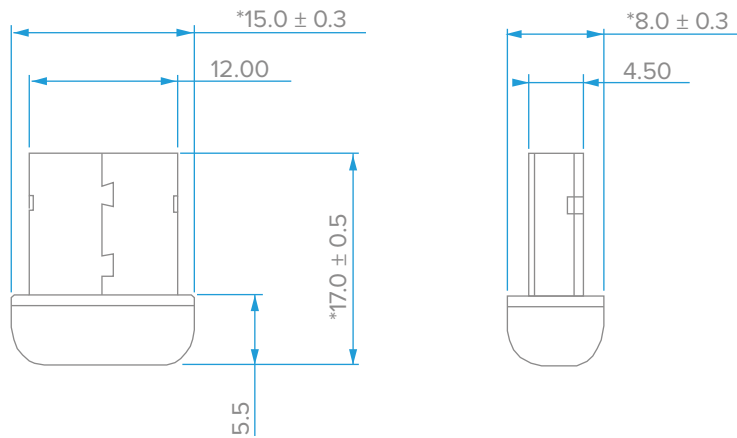
Host Controller Interface (HCI) via USB Interface

Product LM816
Part No See Last Page

Physical Dimensions



17mm x 15mm x 8mm





LM816 WiFi 802.11 b/g/n Nano Adapter

Host Controller Interface (HCI) via USB Interface

Product LM816
Part No See Below

LM816 Packaging Options



816-0648

SRP - Single Retail Pack
1 x LM816 WiFi USB Adapter



816-0649

AO - Adapter Only
1 x LM816 WiFi USB Adapter

- See our website to download any applicable Product Software, Manuals and Notes - <http://www.lm-technologies.com/downloads>

DISCLAIMER

Copyright © Toradex AG. All rights are reserved. The information and content in this document are provided “as-is” with no warranties of any kind and are for informational purposes only. Data and information have been carefully checked and are believed to be accurate; however, no liability or responsibility for any errors, omissions or inaccuracies is assumed.

Brand and product names are trademarks or registered trademarks of their respective owners. Specifications are subject to change without notice.